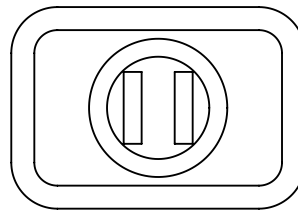
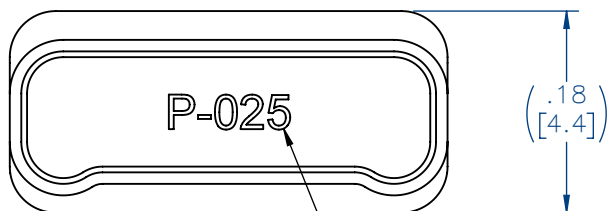
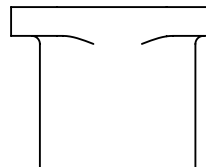
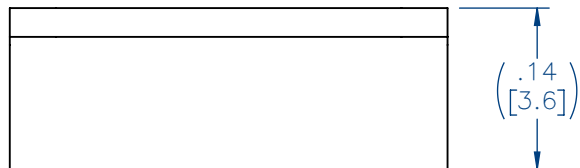


PART NO.	D6912-0XX	REV	ECO	DATE	APP
		B	99321	03-04-13	TLM



ACTUAL SIZE
(D6912-025 SHOWN)

OMNETICS LOGO
REPLACES NAME ON
THE 9, 15 AND 21
POSITION CAPS



PART NO.	"A" (IN)	"A" [mm]
D6912-009	.18	4.6
D6912-015	.26	6.6
D6912-021	.33	8.4
D6912-025	.38	9.7
D6912-031	.46	11.7
D6912-037	.53	13.5
D6912-051	.71	18.0
D6912-065	.88	22.4

NOTE:

MATERIAL: CONDUCTIVE
POLYETHYLENE

COLOR: BLACK

DIMENSIONS IN [] ARE IN
MILLIMETERS UNLESS
OTHERWISE NOTED AND ARE
FOR REFERENCE ONLY

SHEET 2 FOR
MANUFACTURING PURPOSES
ONLY

MCTS	THIRD ANGLE
	-TOLERANCES-
	UNLESS OTHERWISE NOTED
	DIMENSIONS IN INCHES
	2 PL DEC ± .01
3 PL DEC ± .005	
4 PL DEC ± .0005	
ANGLES ± 1°	

THIS DRAWING CONTAINS CONFIDENTIAL AND PROPRIETARY INFORMATION WHICH IS THE PROPERTY OF OMNETICS CONNECTOR CORP. THIS DOCUMENT MAY NOT, IN WHOLE OR IN PART, BE DUPLICATED, OR DISCLOSED FOR ANY PURPOSE, WITHOUT WRITTEN PERMISSION FROM OMNETICS CONNECTOR CORP.

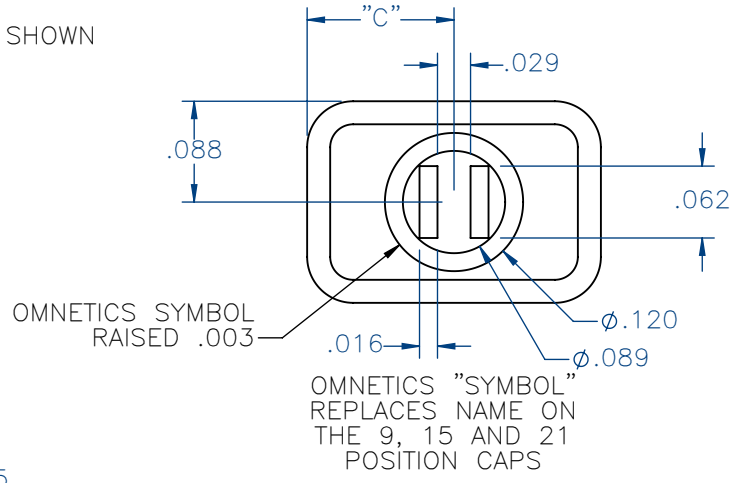
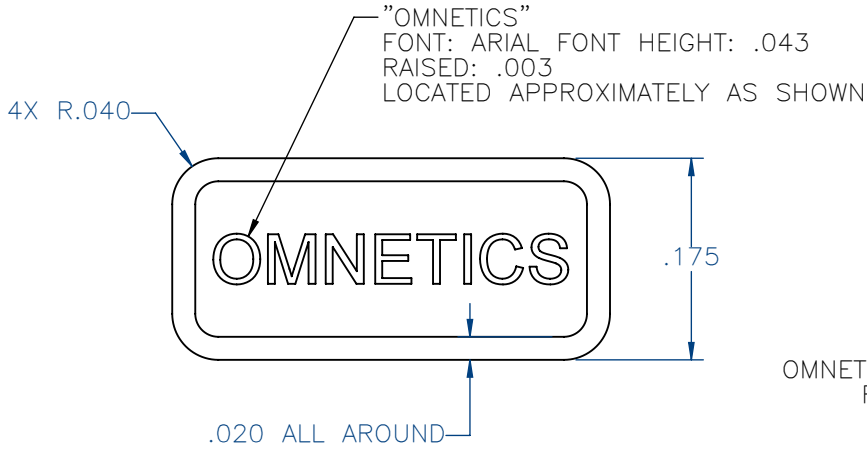
DFTM. JMJ	DATE
	03-30-12
CHK'D.	DATE
APP'D.	DATE

TITLE:
DUST CAP
Bi-Lobe®, MALE
BLACK, CONDUCTIVE

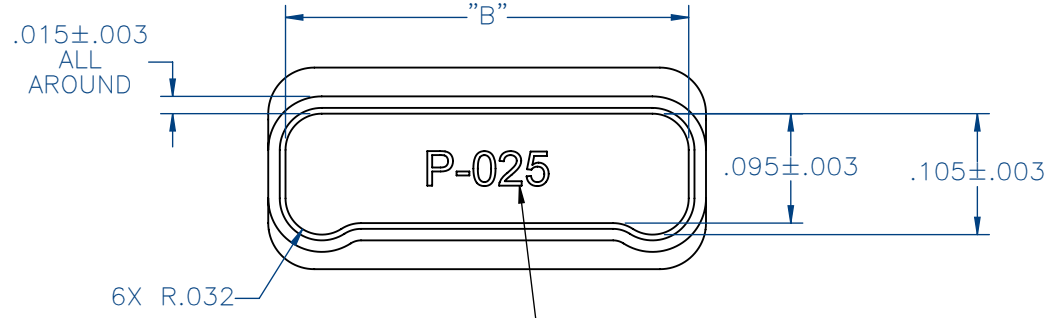
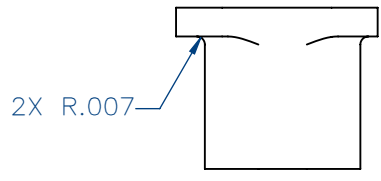
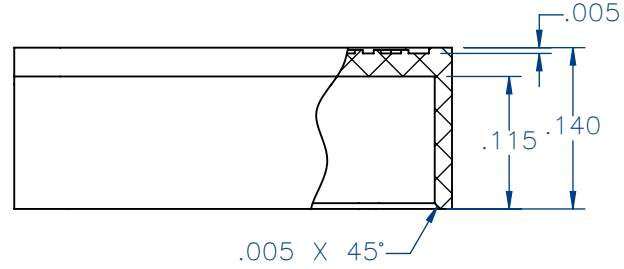
OMNETICS
CONNECTOR CORPORATION
7260 COMMERCE CIRCLE EAST
MINNEAPOLIS, MN 55432
WWW.OMNETICS.COM

CAGE CODE 61873
DWG NO. D6912-0XX
SHEET 1 OF 2
SCALE: 6:1
REV B

PART NO.	D6912-0XX	REV	ECO	DATE	APP
		B	99321	03-04-13	TLM



ACTUAL SIZE
 (D6912-025 SHOWN)



"ID" - SEE CHART
 FONT: ARIAL FONT HEIGHT: .043
 RAISED: .003
 LOCATED APPROXIMATELY AS SHOWN

PART NO.	"B"	"C"	"ID"
D6912-009	.150	.090	P-009
D6912-015	.225	.128	P-015
D6912-021	.300	.165	P-021
D6912-025	.350	-	P-025
D6912-031	.425	-	P-031
D6912-037	.500	-	P-037
D6912-051	.675	-	P-051
D6912-065	.850	-	P-065

NOTE:
 ALL REQUIREMENTS FOR
 MANUFACTURING ARE
 CONTAINED ON SHEET 2 ONLY

MATERIAL: CONDUCTIVE
 POLYETHYLENE THAT MEETS
 THE ANTI-STATIC DECAY RATE
 REQUIREMENT OF MIL-PRF-
 81705D

COLOR: BLACK

MGT'S	THIRD ANGLE
	-TOLERANCES-
	UNLESS OTHERWISE NOTED
	DIMENSIONS IN INCHES
	2 PL DEC ± .01
3 PL DEC ± .005	
4 PL DEC ± .0005	
ANGLES ± 1°	

THIS DRAWING CONTAINS CONFIDENTIAL AND PROPRIETARY INFORMATION WHICH IS THE PROPERTY OF OMNETICS CONNECTOR CORP. THIS DOCUMENT MAY NOT, IN WHOLE OR IN PART, BE DUPLICATED, OR DISCLOSED FOR ANY PURPOSE, WITHOUT WRITTEN PERMISSION FROM OMNETICS CONNECTOR CORP.	
DFTM. JMJ	DATE 03-30-12
CHK'D.	DATE
APP'D.	DATE
TITLE: DUST CAP Bi-Lobe®, MALE BLACK, CONDUCTIVE	

OMNETICS
 CONNECTOR CORPORATION

7260 COMMERCE CIRCLE EAST
 MINNEAPOLIS, MN 55432
 WWW.OMNETICS.COM

CAGE CODE 61873	
DWG NO. D6912-0XX	
SHEET 2 OF 2	REV B
SCALE: 6:1	