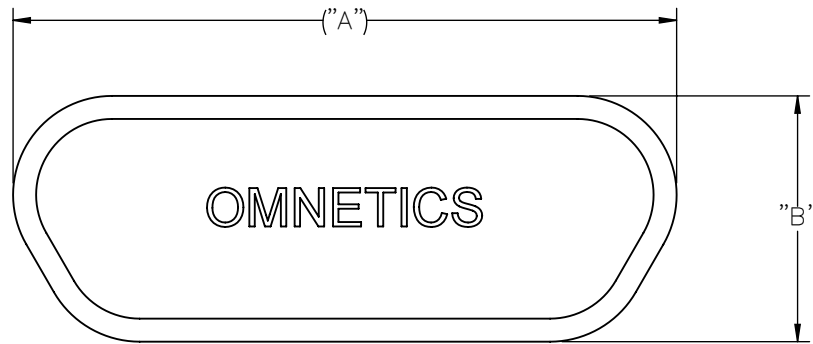
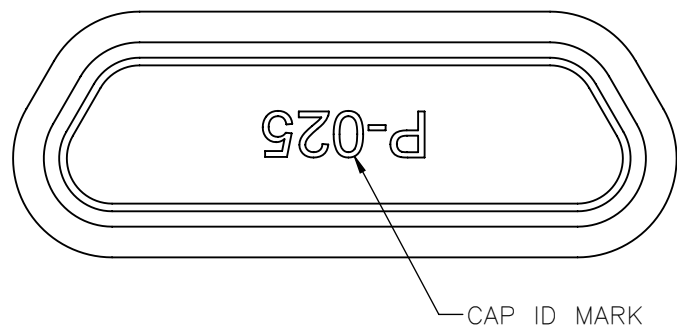
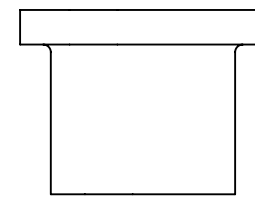
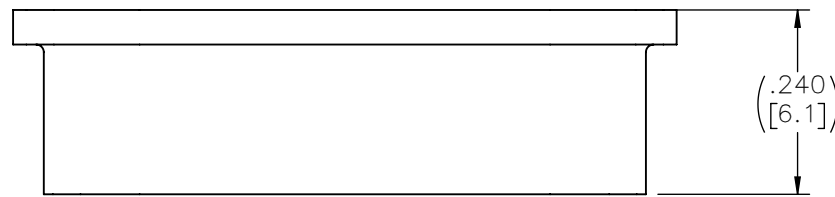


PART NO.	D6258-XXX	REV	ECO	DATE	APP
		C	109568	12-12-22	BAS



ACTUAL SIZE
(D6258-025 SHOWN)



PART NO.	"ID"	"A" (IN)	"A" [mm]	"B" (IN)	"B" [mm]
D6258-009	P-009	.46	11.7	.32	8.1
D6258-015	P-015	.61	15.5	.32	
D6258-021	P-021	.76	19.3	.32	
D6258-025	P-025	.86	21.8	.32	
D6258-031	P-031	1.01	25.7	.32	
D6258-037	P-037	1.16	29.5	.32	
D6258-512	P-512	1.51	38.4	.32	9.4
D6258-513	P-513	1.11	28.2	.37	
D6258-069	P-069	1.41	35.9	.37	

- NOTES:
- COLOR: BLACK
 - MATERIAL: CONDUCTIVE POLYETHYLENE THAT MEETS THE ANTI-STATIC DECAY RATE REQUIREMENT OF MIL-PRF-81705D
 - ALL REQUIREMENTS FOR MANUFACTURING ARE CONTAINED ON SHEET 2 ONLY
 - DIMENSIONS IN [] ARE IN MILLIMETERS UNLESS OTHERWISE NOTED AND ARE FOR REFERENCE ONLY

MCTS	THIRD ANGLE
	-TOLERANCES- UNLESS OTHERWISE NOTED
	DIMENSIONS IN INCHES
	2 PL DEC ± .01 3 PL DEC ± .005 4 PL DEC ± .001 ANGLES ± 1°

THIS DRAWING CONTAINS CONFIDENTIAL AND PROPRIETARY INFORMATION WHICH IS THE PROPERTY OF OMNETICS CONNECTOR CORP. THIS DOCUMENT MAY NOT, IN WHOLE OR IN PART, BE DUPLICATED, OR DISCLOSED FOR ANY PURPOSE, WITHOUT WRITTEN PERMISSION FROM OMNETICS CONNECTOR CORP.

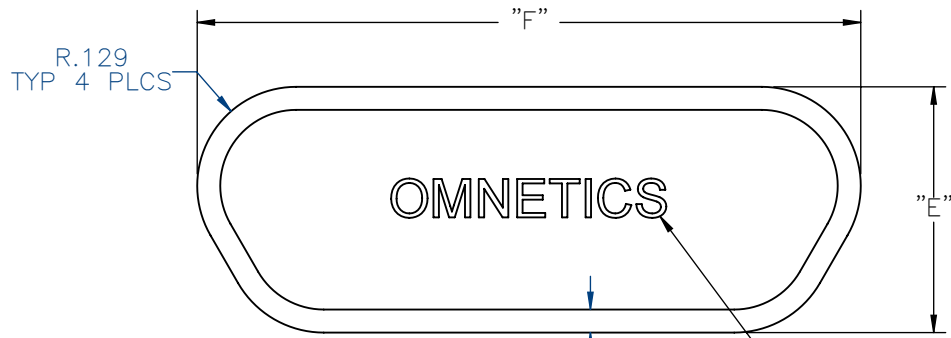
TITLE: DUST CAP, MICRO-D MALE
BLACK, CONDUCTIVE

DFTM. NJS
DATE 02-16-11

OMNETICS
CONNECTOR CORPORATION
8840 EVERGREEN BLVD.
MINNEAPOLIS, MN 55433
WWW.OMNETICS.COM

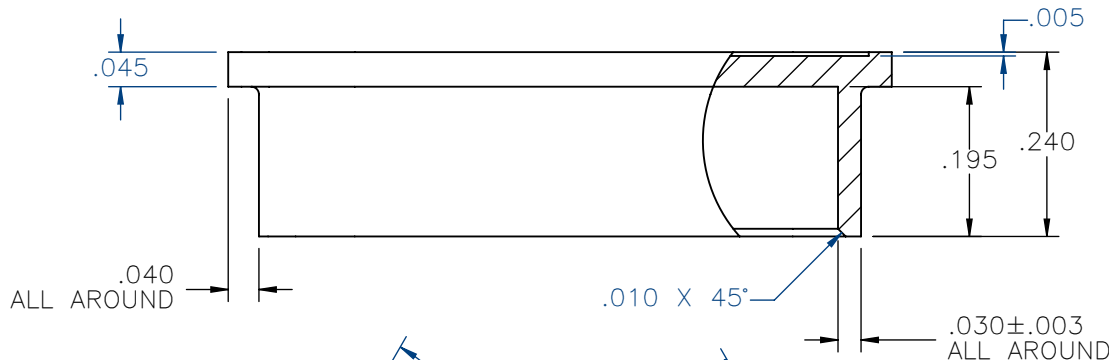
DWG NO.	CAGE CODE 61873
D6258-XXX	
SHEET 1 OF 2	SCALE: 4:1
	REV C

PART NO.	D6258-XXX	REV	ECO	DATE	APP
		C	109568	12-12-22	BAS

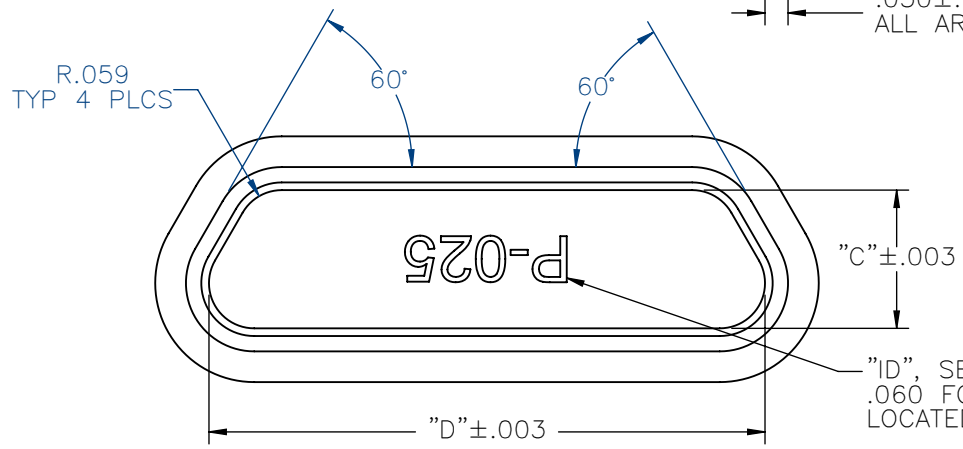


ACTUAL SIZE
(D6258-025 SHOWN)

"OMNETICS"
.050 FONT HEIGHT, ARIAL FONT RAISED .005
LOCATED APPROXIMATELY AS SHOWN



PART NO.	"ID"	"C"	"D"	"E"	"F"
D6258-009	P-009	.180	.324	.320	.464
D6258-015	P-015	.180	.474	.320	.614
D6258-021	P-021	.180	.624	.320	.764
D6258-025	P-025	.180	.724	.320	.864
D6258-031	P-031	.180	.874	.320	1.014
D6258-037	P-037	.180	1.024	.320	1.164
D6258-512	P-512	.180	1.374	.320	1.514
D6258-513	P-513	.225	.974	.365	1.114
D6258-069	P-069	.225	1.274	.365	1.414



"ID", SEE TABLE,
.060 FONT HEIGHT, ARIAL FONT RAISED .005
LOCATED APPROXIMATELY AS SHOWN

MCTS	THIRD ANGLE
	-TOLERANCES-
	UNLESS OTHERWISE NOTED
	DIMENSIONS IN INCHES
	2 PL DEC ± .01
3 PL DEC ± .005	
4 PL DEC ± .001	
ANGLES ± 1°	

THIS DRAWING CONTAINS CONFIDENTIAL AND PROPRIETARY INFORMATION WHICH IS THE PROPERTY OF OMNETICS CONNECTOR CORP. THIS DOCUMENT MAY NOT, IN WHOLE OR IN PART, BE DUPLICATED, OR DISCLOSED FOR ANY PURPOSE, WITHOUT WRITTEN PERMISSION FROM OMNETICS CONNECTOR CORP.

TITLE:
DUST CAP,
MICRO-D MALE
BLACK, CONDUCTIVE

DFTM. NJS
DATE
02-16-11

OMNETICS
CONNECTOR CORPORATION
8840 EVERGREEN BLVD.
MINNEAPOLIS, MN 55433
WWW.OMNETICS.COM

DWG NO.	CAGE CODE	61873
D6258-XXX		
SHEET 2 OF 2	SCALE: 4:1	REV C