

PART NO.	"ID"	"A" (IN)	"A" [mm]	"B" (IN)	"B" [mm]
D6257-009	S-009	.47	12.0	.32	8.2
D6257-015	S-015	.62	15.9	.32	
D6257-021	S-021	.77	19.7	.32	
D6257-025	S-025	.87	22.2	.32	
D6257-031	S-031	1.02	26.0	.32	
D6257-037	S-037	1.17	29.8	.32	9.4
D6257-512	S-512	1.52	38.7	.32	
D6257-513	S-513	1.12	28.6	.37	
D6257-069	S-069	1.42	36.2	.37	

NOTES:

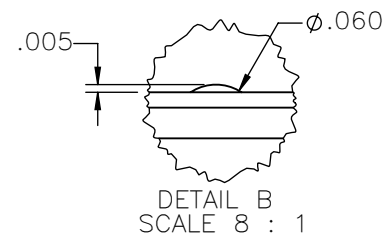
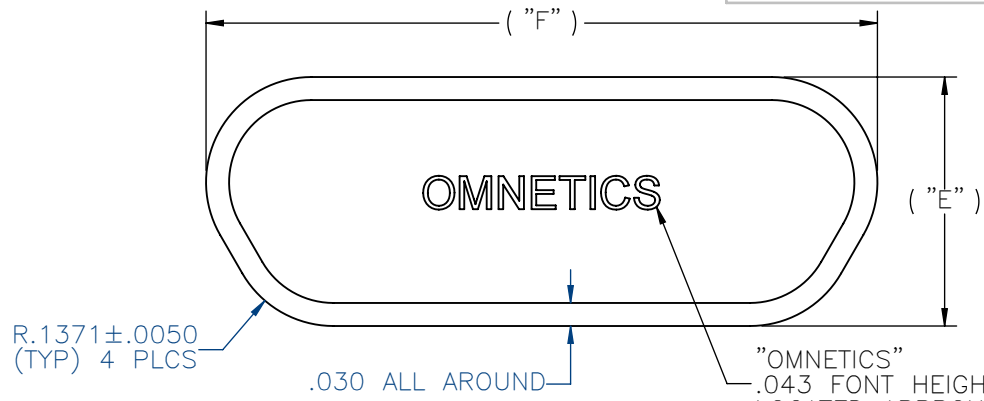
1. MATERIAL: CONDUCTIVE POLYETHYLENE.
2. COLOR: BLACK.
3. DIMENSIONS IN [] ARE IN MILLIMETERS UNLESS OTHERWISE NOTED AND ARE FOR REFERENCE ONLY.
4. SHEET 2 AND 3 FOR MANUFACTURING PURPOSES ONLY.

MCTS	THIRD ANGLE
	-TOLERANCES-
	UNLESS OTHERWISE NOTED
	DIMENSIONS IN INCHES
2 PL DEC ± .01	
3 PL DEC ± .005	
4 PL DEC ± .001	
ANGLES ± 1°	

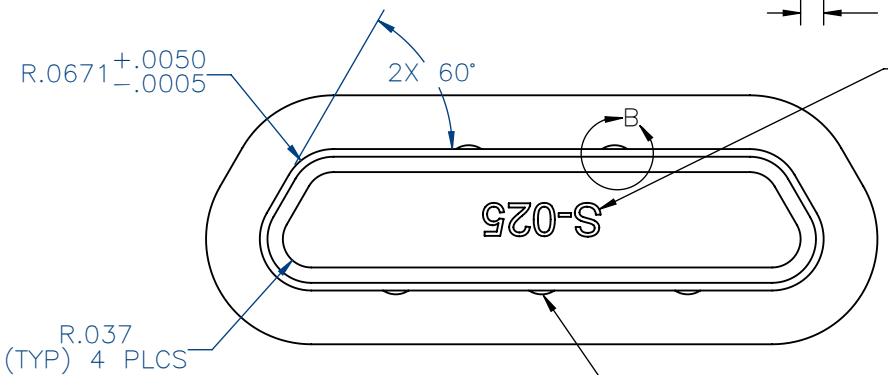
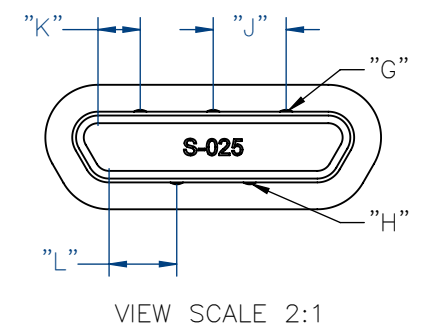
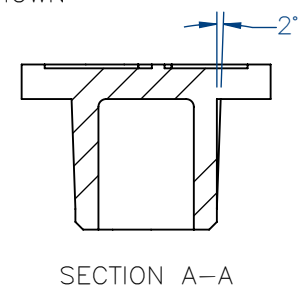
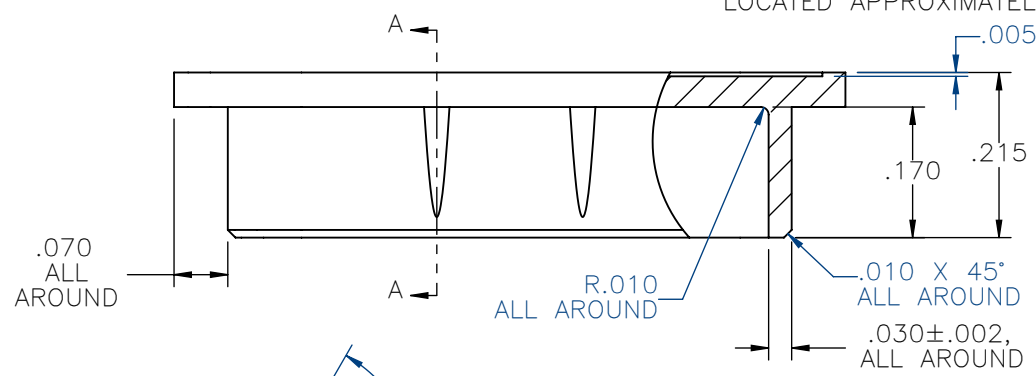
THIS DRAWING CONTAINS CONFIDENTIAL AND PROPRIETARY INFORMATION WHICH IS THE PROPERTY OF OMNETICS CONNECTOR CORP. THIS DOCUMENT MAY NOT, IN WHOLE OR IN PART, BE DUPLICATED, OR DISCLOSED FOR ANY PURPOSE, WITHOUT WRITTEN PERMISSION FROM OMNETICS CONNECTOR CORP.	
TITLE:	DUST CAP, MICRO-D FEMALE BLACK, CONDUCTIVE
DFTM. NJS	
DATE	02-16-11

OMNETICS
CONNECTOR CORPORATION
8840 EVERGREEN BLVD.
MINNEAPOLIS, MN 55433
WWW.OMNETICS.COM

DWG NO.	CAGE CODE 61873
D6257-XXX	
SHEET 1 OF 2	SCALE: 4:1
REV E	



R.1371 ± .0050 (TYP) 4 PLCS
 .030 ALL AROUND
 "OMNETICS"
 .043 FONT HEIGHT, ARIAL FONT RAISED .005
 LOCATED APPROXIMATELY AS SHOWN



"ID", SEE TABLE,
 .043 FONT HEIGHT, ARIAL FONT RAISED .005
 LOCATED APPROXIMATELY AS SHOWN

NOTES (CONTINUED):

- ALL REQUIREMENTS FOR MANUFACTURING ARE CONTAINED ON SHEET 2 ONLY.
- MATERIAL: CONDUCTIVE POLYETHYLENE THAT MEETS THE ANTI-STATIC DECAY RATE REQUIREMENT OF MIL-PRF-81705D.
- COLOR: BLACK

PLACE RIBS APPROXIMATELY AS SHOWN

PART NO.	"ID"	"C"	"D"	"E"	"F"	"G" # OF RIBS	"H" # OF RIBS	"J"	"K"	"L"
D6257-009	S-009	.1842	.3342	.324	.474	2	1	.10	.050	.070
D6257-015	S-015	.1842	.4842	.324	.624	2	1	.15	.100	.146
D6257-021	S-021	.1842	.6342	.324	.774	3	2	.16	.090	.141
D6257-025	S-025	.1842	.7342	.324	.874	3	2	.19	.110	.176
D6257-031	S-031	.1842	.8842	.324	1.024	4	3	.18	.105	.166
D6257-037	S-037	.1842	1.0342	.324	1.174	4	3	.22	.120	.201
D6257-512	S-512	.1842	1.3842	.324	1.524	5	4	.25	.125	.221
D6257-513	S-513	.2282	.9842	.368	1.124	4	3	.20	.125	.172
D6257-069	S-069	.2282	1.2842	.368	1.424	5	4	.22	.135	.191

MCTS	THIRD ANGLE
	-TOLERANCES-
	UNLESS OTHERWISE NOTED
	DIMENSIONS IN INCHES
2	PL DEC ± .01
3	PL DEC ± .005
4	PL DEC ± .001
	ANGLES ± 1°

THIS DRAWING CONTAINS CONFIDENTIAL AND PROPRIETARY INFORMATION WHICH IS THE PROPERTY OF OMNETICS CONNECTOR CORP. THIS DOCUMENT MAY NOT, IN WHOLE OR IN PART, BE DUPLICATED, OR DISCLOSED FOR ANY PURPOSE, WITHOUT WRITTEN PERMISSION FROM OMNETICS CONNECTOR CORP.

TITLE: DUST CAP, MICRO-D FEMALE BLACK, CONDUCTIVE

DFTM. NJS

DATE 02-16-11

OMNETICS
 CONNECTOR CORPORATION
 8840 EVERGREEN BLVD.
 MINNEAPOLIS, MN 55433
 WWW.OMNETICS.COM

DWG NO. CAGE CODE **61873**
D6257-XXX

SHEET 2 OF 2 SCALE: 4:1 REV E