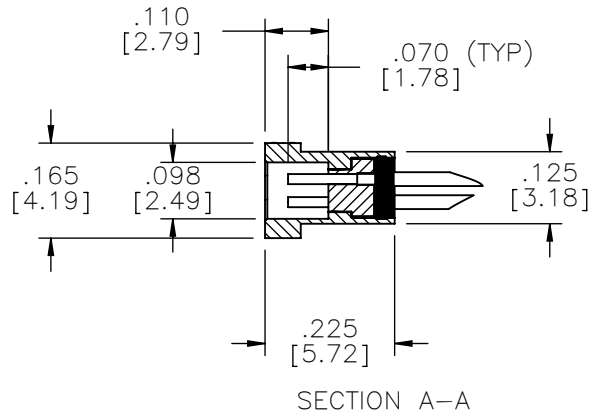
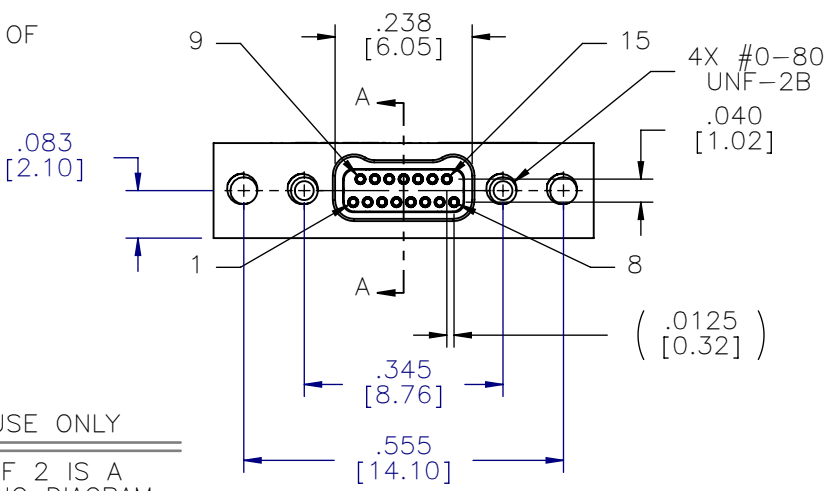
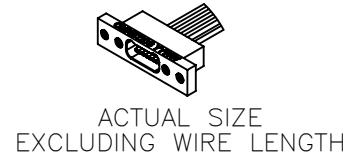
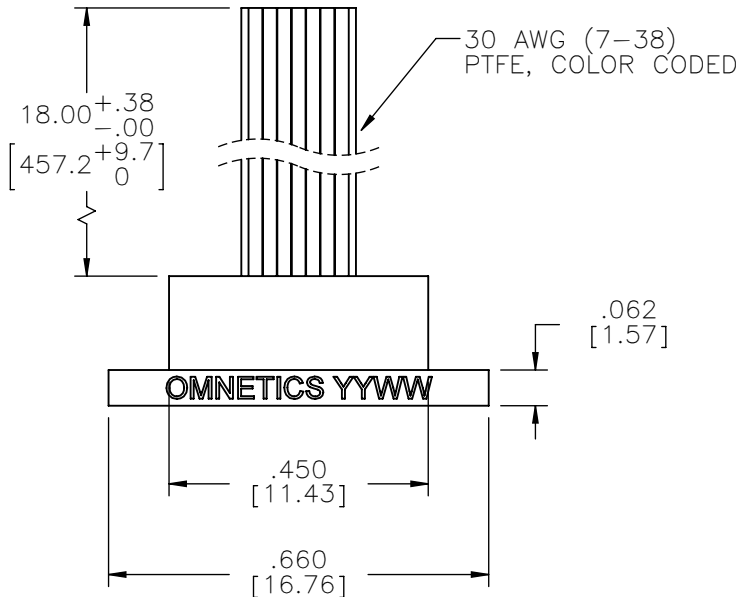


MATERIALS & SPECIFICATIONS

| | | | | | |
|----------|------------|-----|-------|----------|-----|
| PART NO. | A29600-015 | REV | ECO | DATE | APP |
| | | F | 96567 | 03-15-10 | TLM |

- HOUSING:**
ALUMINUM 6061-T6, NICKEL PLATE PER AMS-C-26074
- INSULATOR:**
LIQUID CRYSTAL POLYMER (LCP) PER ASTM D5138
- CONTACTS:**
COPPER ALLOY PER MIL-DTL-32139, GOLD PLATED PER ASTM B488, (HARD GOLD) TYPE II CODE C, CLASS 1.27
- WIRE:**
NEMA HP3 TYPE ET, COLOR CODED IAW MIL-STD-681, SYSTEM 1, USING TEN SOLID REPEATING COLORS
- CURRENT RATING:**
1 AMP MAX PER MIL-DTL-32139
- CONTACT RESISTANCE:**
71 MILLIOHM MAX (71mV DROP MAX) @ 1.0 AMPS PER MIL-DTL-32139
- PERFORMANCE:**
PRODUCT FAMILY TESTED TO AND PASSED THE PERFORMANCE SPECIFICATIONS OF TABLE VIII OF MIL-DTL-32139



| SOCKET # | COLOR |
|----------|--------|
| 1, 11 | BLACK |
| 2, 12 | BROWN |
| 3, 13 | RED |
| 4, 14 | ORANGE |
| 5, 15 | YELLOW |
| 6 | GREEN |
| 7 | BLUE |
| 8 | VIOLET |
| 9 | GRAY |
| 10 | WHITE |

INTERNAL USE ONLY

SHEET 2 OF 2 IS A MFG LOADING DIAGRAM

| | |
|---------------|------------------------|
| MNSOP SLDW | THIRD ANGLE |
| | -TOLERANCES- |
| | UNLESS OTHERWISE NOTED |
| | DIMENSIONS IN INCHES |
| 2 | PL DEC ± .01 |
| 3 | PL DEC ± .005 |
| 4 | PL DEC ± .0005 |
| | ANGLES ± 1° |

THIS DRAWING CONTAINS CONFIDENTIAL AND PROPRIETARY INFORMATION WHICH IS THE PROPERTY OF OMNETICS CONNECTOR CORP. THIS DOCUMENT MAY NOT, IN WHOLE OR IN PART, BE DUPLICATED, OR DISCLOSED FOR ANY PURPOSE, WITHOUT WRITTEN PERMISSION FROM OMNETICS CONNECTOR CORP.

DFTM. AAS DATE 05-14-04 TITLE: (15) SOCKET FEMALE Bi-Lobe® CONNECTOR

CHK'D. DATE

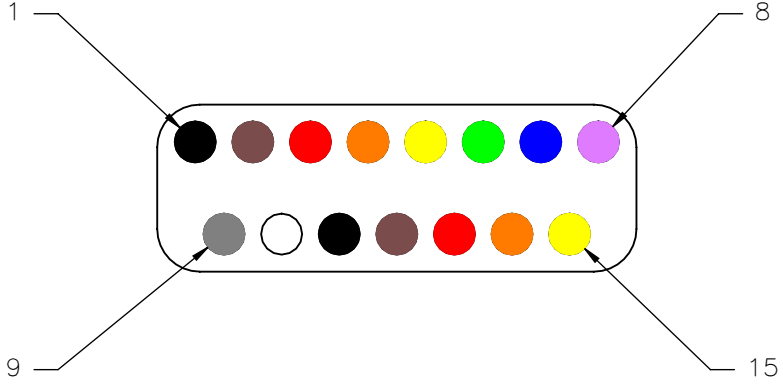
APP'D. DATE

OMNETICS
CONNECTOR CORPORATION

7260 COMMERCE CIRCLE EAST
MINNEAPOLIS, MN 55432
WWW.OMNETICS.COM

| |
|--------------------|
| CAGE CODE 61873 |
| DWG NO. A29600-015 |
| SHEET 1 OF 2 |
| SCALE: 3:1 |
| REV F |

| | | | | | |
|----------|------------|-----|-------|----------|-----|
| PART NO. | A29600-015 | REV | ECO | DATE | APP |
| | | F | 96567 | 03-15-10 | TLM |



| SOCKET # | COLOR |
|----------|--------|
| 1, 11 | BLACK |
| 2, 12 | BROWN |
| 3, 13 | RED |
| 4, 14 | ORANGE |
| 5, 15 | YELLOW |
| 6 | GREEN |
| 7 | BLUE |
| 8 | VIOLET |
| 9 | GRAY |
| 10 | WHITE |

| | | | | | | |
|------------------|------------------------|--|---------------|--|---------------------------|--|
| MNSOP SLDW | THIRD ANGLE | THIS DRAWING CONTAINS CONFIDENTIAL AND PROPRIETARY INFORMATION WHICH IS THE PROPERTY OF OMNETICS CONNECTOR CORP. THIS DOCUMENT MAY NOT, IN WHOLE OR IN PART, BE DUPLICATED, OR DISCLOSED FOR ANY PURPOSE, WITHOUT WRITTEN PERMISSION FROM OMNETICS CONNECTOR CORP. | | OMNETICS CONNECTOR CORPORATION | CAGE CODE 61873 | |
| | -TOLERANCES- | | | | DWG NO. A29600-015 | |
| | UNLESS OTHERWISE NOTED | DFTM. AAS | DATE 05-14-04 | TITLE: (15) SOCKET FEMALE | 7260 COMMERCE CIRCLE EAST | |
| | DIMENSIONS IN INCHES | CHK'D. | DATE | Bi-Lobe® CONNECTOR | MINNEAPOLIS, MN 55432 | |
| 2 PL DEC ± .01 | APP'D. | DATE | - | WWW.OMNETICS.COM | | |
| 3 PL DEC ± .005 | | | | SHEET 2 OF 2 | | |
| 4 PL DEC ± .0005 | | | | SCALE: 12:1 | | |
| ANGLES ± 1° | | | | REV F | | |