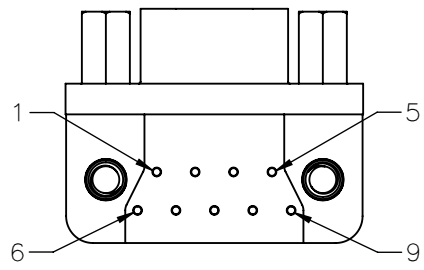
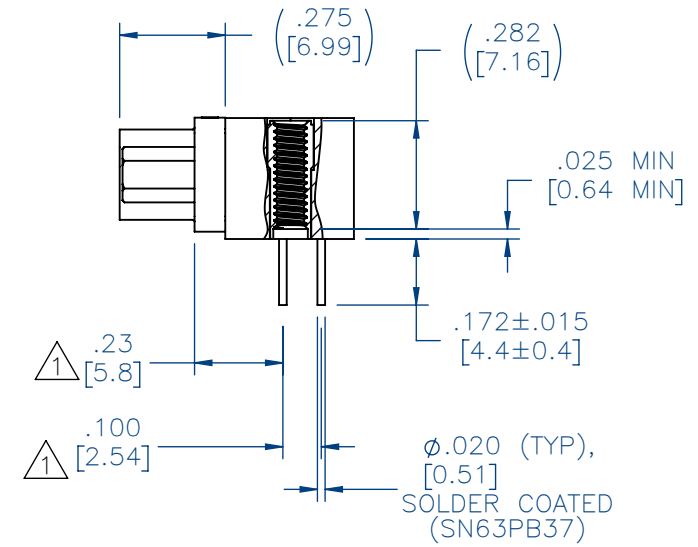
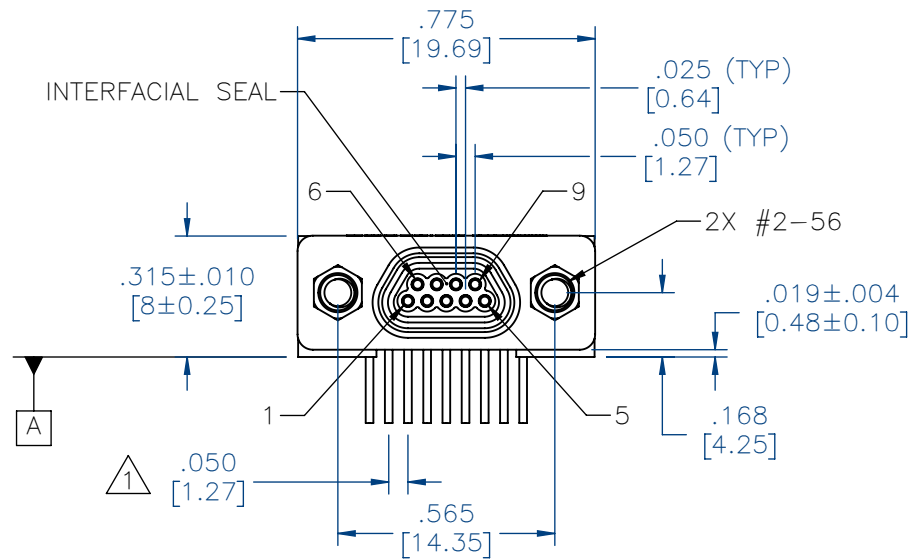


ACTUAL SIZE



NOTES:

- 1 TAIL DIMENSIONS APPLY AT PLANE A.
- 2. DIMENSIONS IN [ ] ARE IN MILLIMETERS UNLESS OTHERWISE NOTED AND ARE FOR REFERENCE ONLY.

MMSD MGLS SLDW	THIRD ANGLE
	-TOLERANCES-
	UNLESS OTHERWISE NOTED
	DIMENSIONS IN INCHES
2	PL DEC ± .01
3	PL DEC ± .005
4	PL DEC ± .0005
	ANGLES ± 1°

THIS DRAWING CONTAINS CONFIDENTIAL AND PROPRIETARY INFORMATION WHICH IS THE PROPERTY OF OMNETICS CONNECTOR CORP. THIS DOCUMENT MAY NOT, IN WHOLE OR IN PART, BE DUPLICATED, OR DISCLOSED FOR ANY PURPOSE, WITHOUT WRITTEN PERMISSION FROM OMNETICS CONNECTOR CORP.	
TITLE:	(9) SOCKET FEMALE MICRO-D SPLAYED BOARD MOUNT
DFTM. JPF	
DATE	05-08-19

**OMNETICS**  
CONNECTOR CORPORATION  
8840 EVERGREEN BLVD.  
MINNEAPOLIS, MN 55433  
WWW.OMNETICS.COM

DWG NO.	CAGE CODE	61873
		A99360-009
SHEET	SCALE:	REV B
1 OF 2	2:1	

SPECIAL INSTRUCTIONS: NO	PART NO.	A99360-009	REV	ECO	DATE	APP
			B	110529	02-19-24	BAS

### MATERIALS

HOUSING:  
ALUMINUM 6061, NICKEL PLATE  
(500 MICRONS MINIMUM) PER  
SAE-AMS-2404

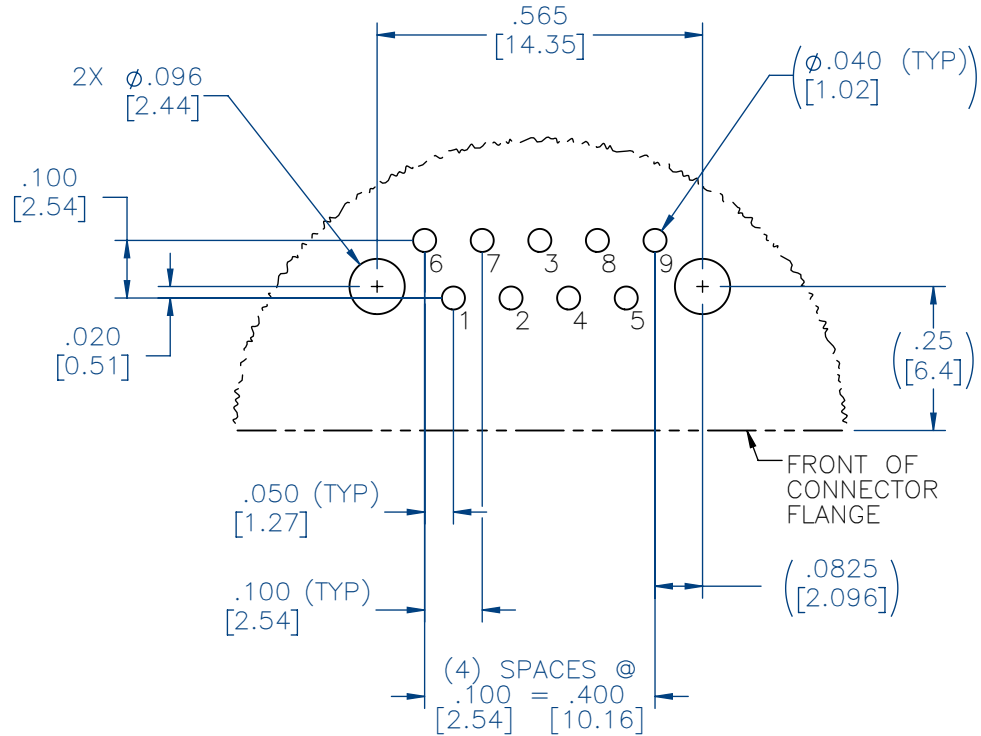
INSULATOR/ ORGANIZER BLOCK:  
LIQUID CRYSTAL POLYMER (LCP)  
PER ASTM D5138

CONTACT:  
COPPER ALLOY PER MIL-DTL-  
83513, GOLD PLATED PER ASTM  
B488, (HARD GOLD) TYPE II  
CODE C CLASS 1.27

TERMINATION:  
SOLDER COATED WITH SN63A PER  
J-STD-006 OR AMS-P-81728

INTERFACIAL SEAL:  
SILICONE RUBBER PER A-A-  
59588

HARDWARE:  
STAINLESS STEEL, PASSIVATED  
PER SAE AMS-2700



SUGGESTED HOLE PATTERN

MMD	THIRD ANGLE $\phi$ $\nabla$
	-TOLERANCES-
SLDW	UNLESS OTHERWISE NOTED
	DIMENSIONS IN INCHES
	2 PL DEC $\pm$ .01
	3 PL DEC $\pm$ .005
	4 PL DEC $\pm$ .0005
	ANGLES $\pm$ 1°

THIS DRAWING CONTAINS CONFIDENTIAL AND PROPRIETARY INFORMATION WHICH IS THE PROPERTY OF OMNETICS CONNECTOR CORP. THIS DOCUMENT MAY NOT, IN WHOLE OR IN PART, BE DUPLICATED, OR DISCLOSED FOR ANY PURPOSE, WITHOUT WRITTEN PERMISSION FROM OMNETICS CONNECTOR CORP.	
TITLE:	(9) SOCKET FEMALE MICRO-D SPLAYED BOARD MOUNT
DFTM. JPF	
DATE	05-08-19

**OMNETICS**  
CONNECTOR CORPORATION  
8840 EVERGREEN BLVD.  
MINNEAPOLIS, MN 55433  
WWW.OMNETICS.COM

DWG NO.	CAGE CODE <b>61873</b>
<b>A99360-009</b>	
SHEET 2 OF 2	SCALE: 3:1
REV B	