

MATERIALS

HOUSING:

ALUMINUM 6061, NICKEL PLATED  
(500 MICRONS MINIMUM) PER  
SAE-AMS-2404

INSULATOR & CAP:

PPS PER MIL-M-24519, TYPE  
GST 40F

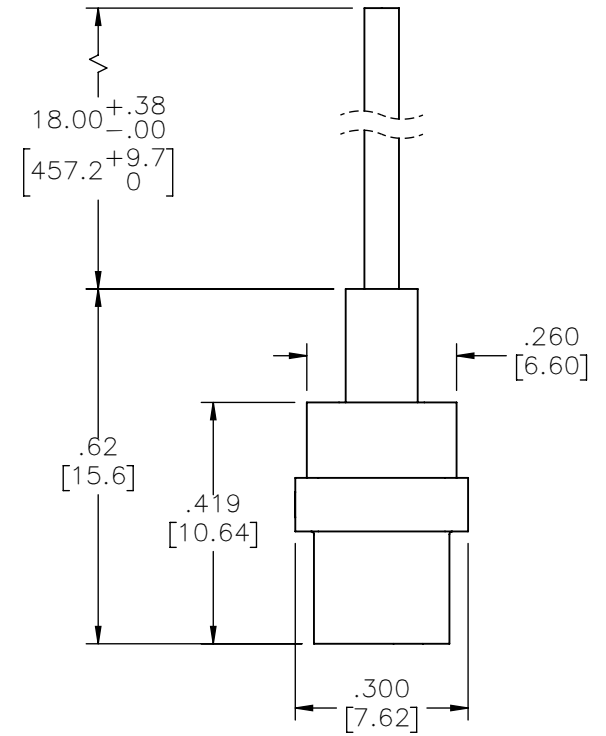
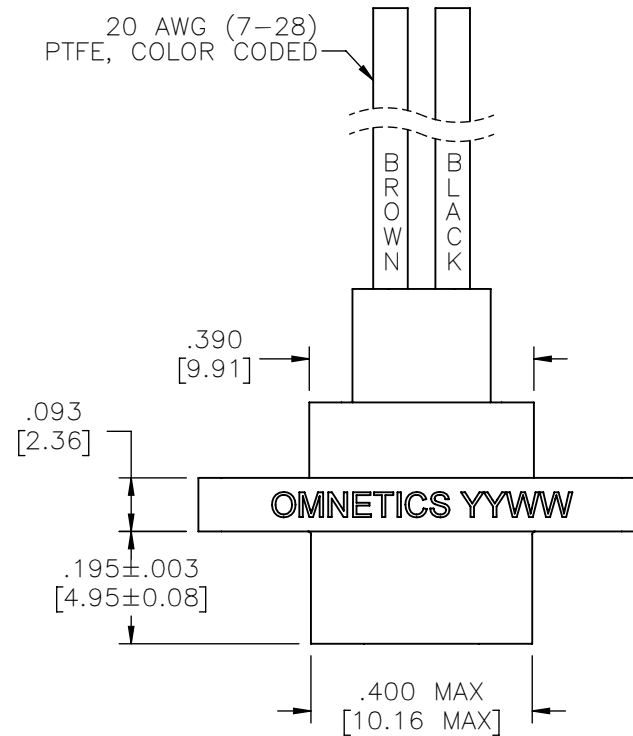
CONTACT:

COPPER ALLOY PER SAE-AS39029  
GOLD PLATED PER ASTM B488  
(HARD GOLD), TYPE II, CODE C  
CLASS 1.27

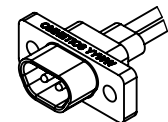
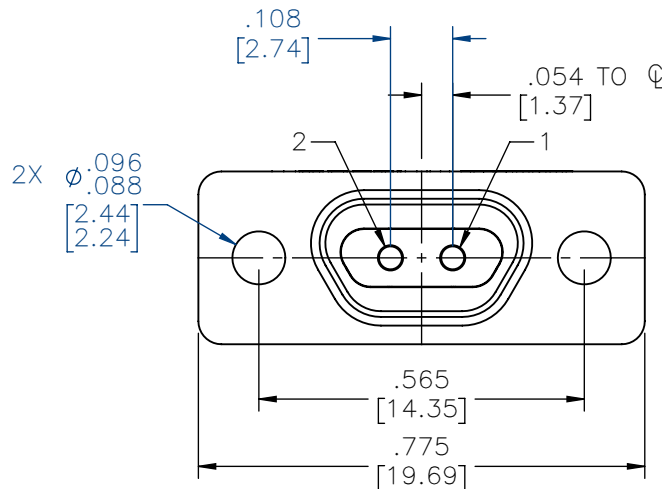
WIRE:

NEMA HP3 TYPE E, COLOR CODED  
IAW MIL-STD-681, SYSTEM 1,  
USING TEN SOLID REPEATING  
COLORS

PART NO.	A99345-001	REV	ECO	DATE	APP
		A	104984	11-01-18	HV



CONTACT #	COLOR
1	BLACK
2	BROWN



ACTUAL SIZE  
EXCLUDING WIRE LENGTH

NOTE:

DIMENSIONS IN [ ] ARE IN  
MILLIMETERS UNLESS  
OTHERWISE NOTED AND ARE  
FOR REFERENCE ONLY

MMS	THIRD ANGLE
	—TOLERANCES— UNLESS OTHERWISE NOTED
SLDW	DIMENSIONS IN INCHES
	2 PL DEC± .01
	3 PL DEC± .005
	4 PL DEC± .0005
	ANGLES ± 1°

THIS DRAWING CONTAINS CONFIDENTIAL AND PROPRIETARY INFORMATION WHICH IS THE PROPERTY OF  
OMNETICS CONNECTOR CORP. THIS DOCUMENT MAY NOT, IN WHOLE OR IN PART, BE DUPLICATED, OR  
DISCLOSED FOR ANY PURPOSE, WITHOUT WRITTEN PERMISSION FROM OMNETICS CONNECTOR CORP.

DFTM. STN	DATE
CHK'D.	10-26-18
APP'D.	DATE

TITLE:  
**(2-0) CONTACT RECEPTACLE  
HYBRID POWER  
MICRO-D CONNECTOR**

**OMNETICS**  
CONNECTOR CORPORATION  
7260 COMMERCE CIRCLE EAST  
MINNEAPOLIS, MN 55432  
WWW.OMNETICS.COM

CAGE CODE <b>61873</b>
DWG NO. <b>A99345-001</b>
SHEET 1 OF 1
SCALE: 3:1
REV A