

MATERIALS

HOUSING:

ALUMINUM 6061, NICKEL PLATE
(500 MICRONS MINIMUM) PER
SAE-AMS-2404

INSULATOR:

LIQUID CRYSTAL POLYMER (LCP)
PER ASTM D5138

CONTACT:

COPPER ALLOY PER MIL-DTL-
83513, GOLD PLATED PER ASTM
B488, (HARD GOLD) TYPE II CODE
C CLASS 1.27

WIRE:

NEMA HP3 TYPE E, COLOR CODED
IAW MIL-STD-681, SYSTEM 1,
USING TEN SOLID REPEATING
COLORS

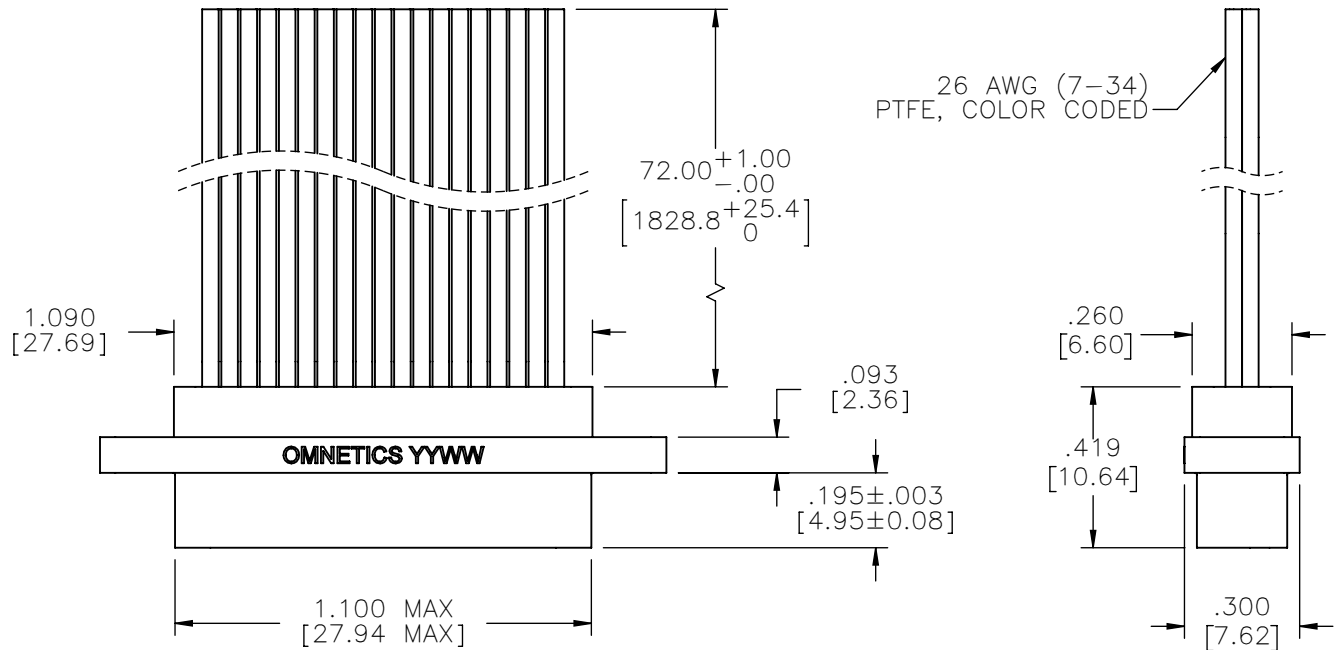
INTERFACIAL SEAL:

SILICONE RUBBER PER A-A-59588

HARDWARE:

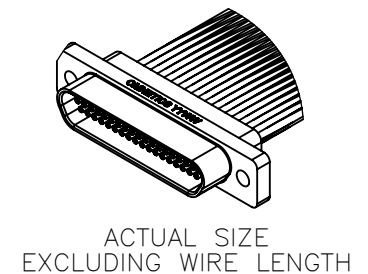
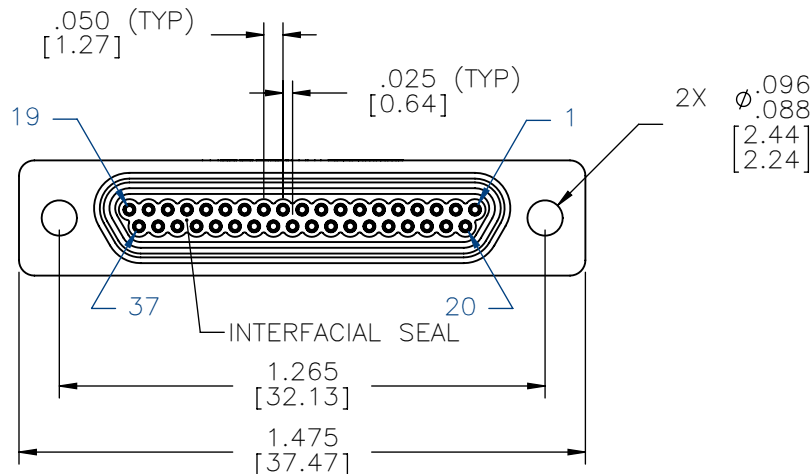
AVAILABLE UPON REQUEST

| | | | | | |
|----------|------------|-----|--------|----------|-----|
| PART NO. | A99341-037 | REV | ECO | DATE | APP |
| | | A | 104858 | 09-25-18 | HV |



| SOCKET # | COLOR |
|---------------|--------|
| 1, 11, 21, 31 | BLACK |
| 2, 12, 22, 32 | BROWN |
| 3, 13, 23, 33 | RED |
| 4, 14, 24, 34 | ORANGE |
| 5, 15, 25, 35 | YELLOW |
| 6, 16, 26, 36 | GREEN |
| 7, 17, 27, 37 | BLUE |
| 8, 18, 28 | VIOLET |
| 9, 19, 29 | GRAY |
| 10, 20, 30 | WHITE |

INTERNAL USE ONLY
USE MFG LOADING
PROCEDURE MMDS-037



RoHS

NOTE:

DIMENSIONS IN [] ARE IN
MILLIMETERS UNLESS
OTHERWISE NOTED AND ARE
FOR REFERENCE ONLY

| | |
|--------------|------------------------|
| MMS SMDW | THIRD ANGLE |
| | -TOLERANCES- |
| | UNLESS OTHERWISE NOTED |
| | DIMENSIONS IN INCHES |
| MCTS SLDW | 2 PL DEC ± .01 |
| | 3 PL DEC ± .005 |
| | 4 PL DEC ± .0005 |
| | ANGLES ± 1° |

| | |
|--|----------|
| THIS DRAWING CONTAINS CONFIDENTIAL AND PROPRIETARY INFORMATION WHICH IS THE PROPERTY OF OMNETICS CONNECTOR CORP. THIS DOCUMENT MAY NOT, IN WHOLE OR IN PART, BE DUPLICATED, OR DISCLOSED FOR ANY PURPOSE, WITHOUT WRITTEN PERMISSION FROM OMNETICS CONNECTOR CORP. | |
| DFTM. STN | DATE |
| CHK'D. | 09-20-18 |
| APP'D. | DATE |
| TITLE: (37) SOCKET FEMALE MICRO-D CONNECTOR | |

OMNETICS
CONNECTOR CORPORATION
7260 COMMERCE CIRCLE EAST
MINNEAPOLIS, MN 55432
WWW.OMNETICS.COM

| | |
|--------------|------------|
| CAGE CODE | 61873 |
| DWG NO. | A99341-037 |
| SHEET 1 OF 1 | REV |
| SCALE: 2:1 | A |