

MATERIALS

HOUSING:
ALUMINUM 6061, NICKEL PLATE
(500 MICRINCHES MINIMUM)
PER SAE-AMS-2404

INSULATOR:
LIQUID CRYSTAL POLYMER (LCP)
PER ASTM D5138

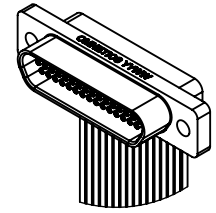
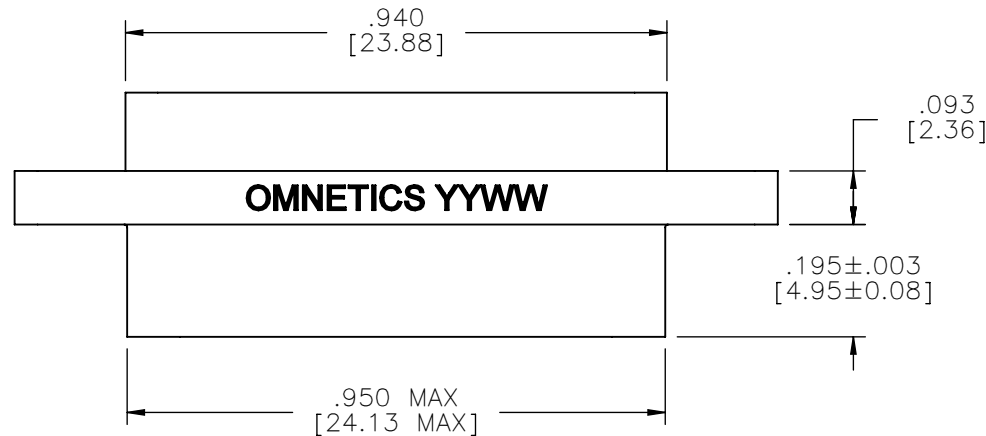
CONTACT:
COPPER ALLOY PER MIL-DTL-
83513, GOLD PLATED PER ASTM
B488, (HARD GOLD) TYPE II
CODE C CLASS 1.27

WIRE:
NEMA HP3 TYPE E, COLOR
CODED IAW MIL-STD-681,
SYSTEM 1, USING TEN SOLID
REPEATING COLORS

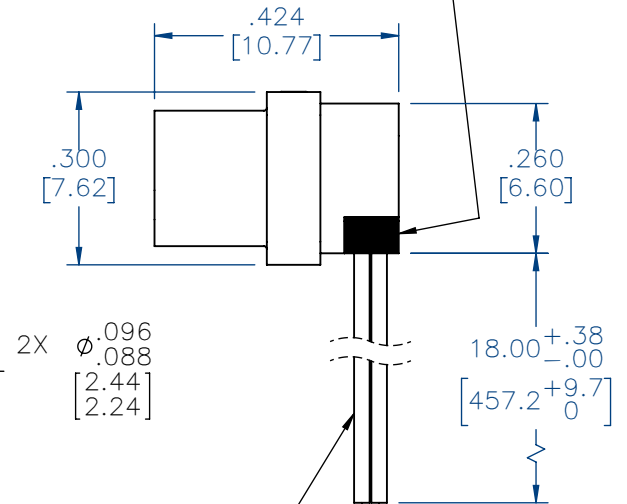
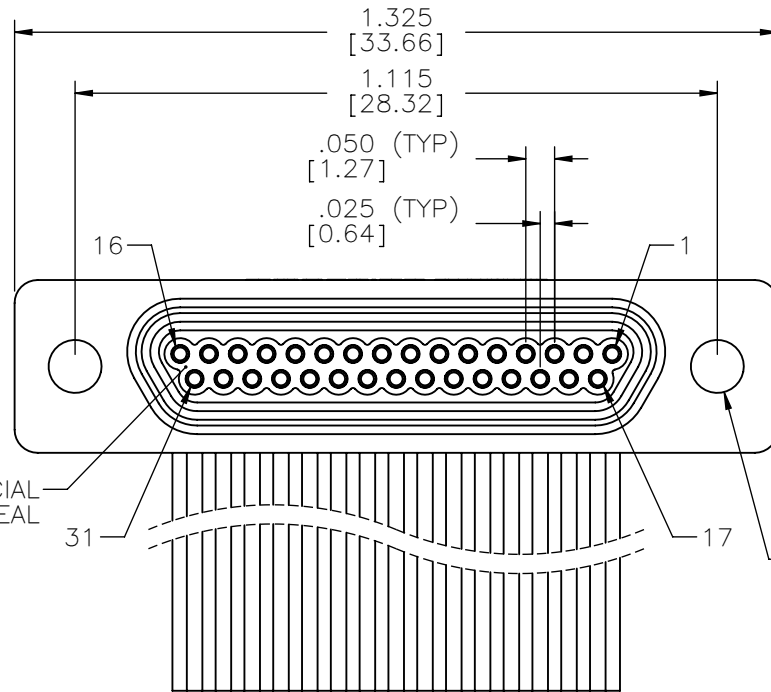
INTERFACIAL SEAL:
SILICONE RUBBER PER A-A-
59588

HARDWARE:
AVAILABLE UPON REQUEST

| | | | | | | |
|--------------------------|----------|------------|-----|--------|----------|-----|
| SPECIAL INSTRUCTIONS: NO | PART NO. | A99308-031 | REV | ECO | DATE | APP |
| | | | B | 111312 | 01-14-25 | DWP |



ACTUAL SIZE
EXCLUDING WIRE LENGTH



26 AWG (7-34)
PTFE, COLOR CODED



| SOCKET # | COLOR |
|---------------|--------|
| 1, 11, 21, 31 | BLACK |
| 2, 12, 22 | BROWN |
| 3, 13, 23 | RED |
| 4, 14, 24 | ORANGE |
| 5, 15, 25 | YELLOW |
| 6, 16, 26 | GREEN |
| 7, 17, 27 | BLUE |
| 8, 18, 28 | VIOLET |
| 9, 19, 29 | GRAY |
| 10, 20, 30 | WHITE |

INTERNAL USE ONLY
USE MFG LOADING
PROCEDURE MMDS-031

NOTE:

DIMENSIONS IN [] ARE IN
MILLIMETERS UNLESS
OTHERWISE NOTED AND ARE
FOR REFERENCE ONLY

| | |
|--------------|------------------------|
| MMDS SLDW | THIRD ANGLE |
| | -TOLERANCES- |
| | UNLESS OTHERWISE NOTED |
| | DIMENSIONS IN INCHES |
| 2 | PL DEC ± .01 |
| 3 | PL DEC ± .005 |
| 4 | PL DEC ± .0005 |
| | ANGLES ± 1° |

| | |
|--|---|
| THIS DRAWING CONTAINS CONFIDENTIAL AND PROPRIETARY INFORMATION WHICH IS THE PROPERTY OF OMNETICS CONNECTOR CORP. THIS DOCUMENT MAY NOT, IN WHOLE OR IN PART, BE DUPLICATED, OR DISCLOSED FOR ANY PURPOSE, WITHOUT WRITTEN PERMISSION FROM OMNETICS CONNECTOR CORP. | |
| TITLE: | (31) SOCKET FEMALE MICRO-D CONNECTOR |
| DFTM. ERB | |
| DATE | 01-11-17 |

OMNETICS
CONNECTOR CORPORATION
8840 EVERGREEN BLVD.
MINNEAPOLIS, MN 55433
WWW.OMNETICS.COM

| | | |
|------------|-----------|-------|
| DWG NO. | CAGE CODE | 61873 |
| A99308-031 | | |
| SHEET | SCALE: | REV |
| 1 OF 1 | 3:1 | B |