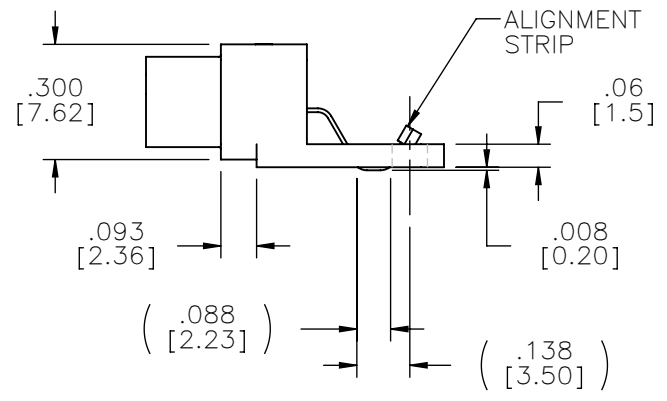
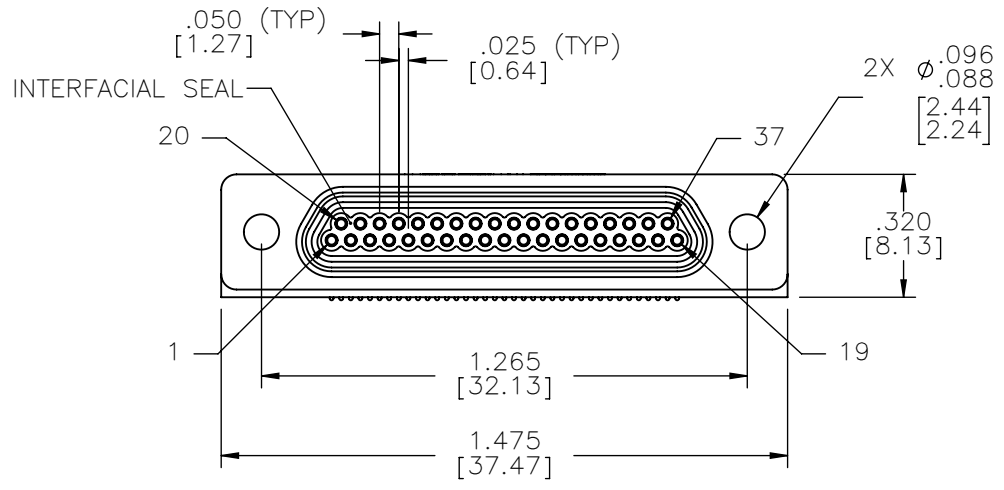
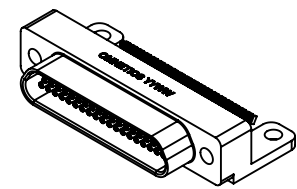
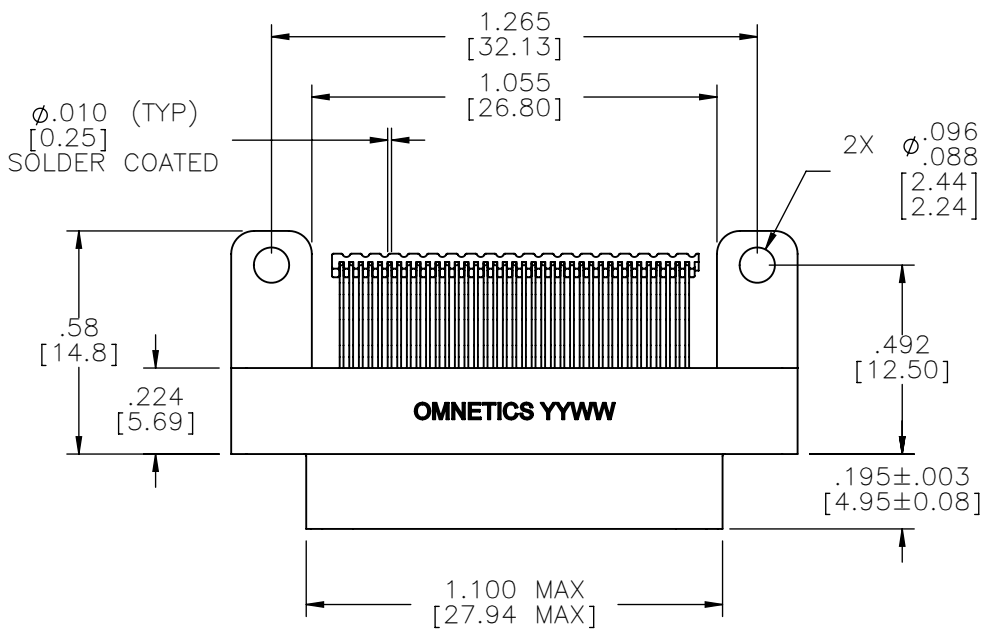


PART NO.	A99204-037	REV	ECO	DATE	APP
		B	103673	08-02-17	TLM



NOTE:  
DIMENSIONS IN [ ] ARE IN MILLIMETERS UNLESS OTHERWISE NOTED AND ARE FOR REFERENCE ONLY

MMS SLDW	THIRD ANGLE $\phi$
	- TOLERANCES -
	UNLESS OTHERWISE NOTED
	DIMENSIONS IN INCHES
2	PL DEC $\pm$ .01
3	PL DEC $\pm$ .005
4	PL DEC $\pm$ .0005
	ANGLES $\pm$ 1°

THIS DRAWING CONTAINS CONFIDENTIAL AND PROPRIETARY INFORMATION WHICH IS THE PROPERTY OF OMNETICS CONNECTOR CORP. THIS DOCUMENT MAY NOT, IN WHOLE OR IN PART, BE DUPLICATED, OR DISCLOSED FOR ANY PURPOSE, WITHOUT WRITTEN PERMISSION FROM OMNETICS CONNECTOR CORP.	
DFTM. TLM	DATE 07-27-15
CHK'D.	DATE
APP'D.	DATE
TITLE: (37) SOCKET FEMALE HORIZONTAL SURFACE MOUNT MICRO-D	

**OMNETICS**  
CONNECTOR CORPORATION  
7260 COMMERCE CIRCLE EAST  
MINNEAPOLIS, MN 55432  
WWW.OMNETICS.COM

CAGE CODE 61873
DWG NO. A99204-037
SHEET 1 OF 2
SCALE: 2:1
REV B

PART NO.	A99204-037	REV	ECO	DATE	APP
		B	103673	08-02-17	TLM

**MATERIALS**

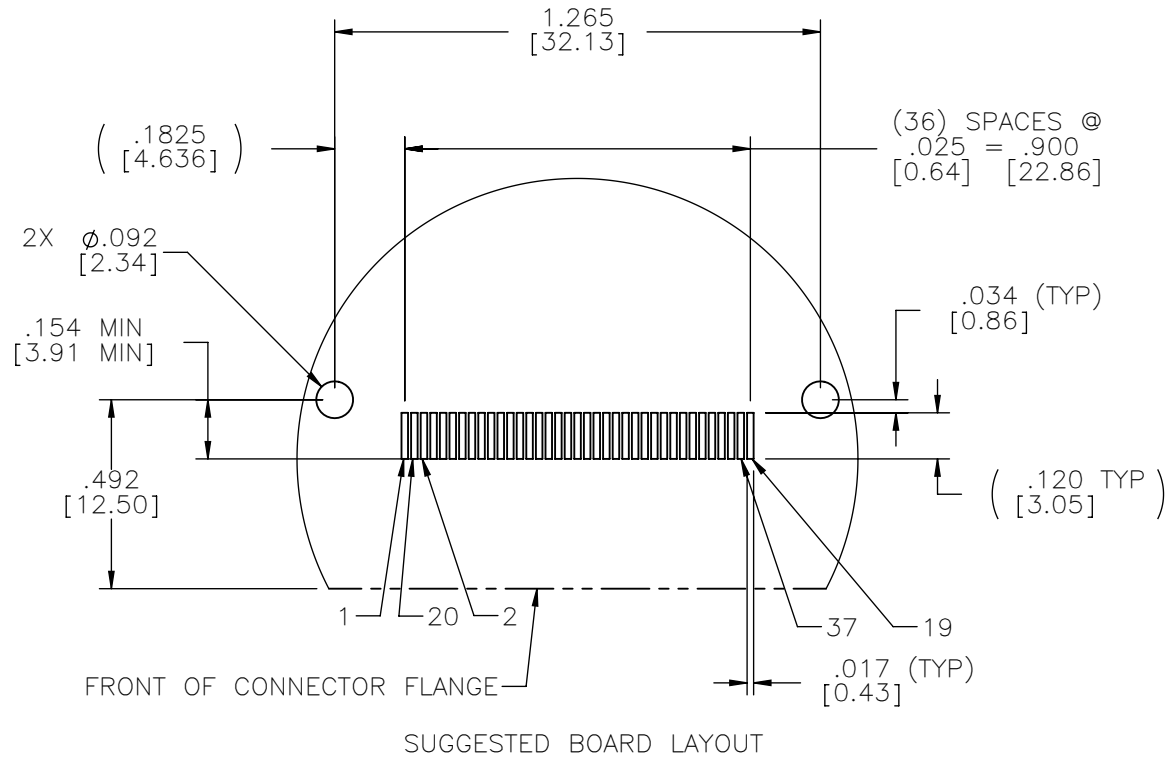
HOUSING:  
ALUMINUM 6061-T6, NICKEL  
PLATE (500 MICROINCHES  
MINIMUM) PER SAE-AMS-2404

INSULATOR & ALIGNMENT STRIP:  
LIQUID CRYSTAL POLYMER (LCP)  
PER ASTM D5138

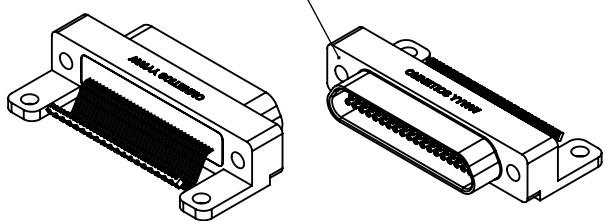
CONTACT:  
COPPER ALLOY PER MIL-DTL-  
83513, GOLD PLATED PER  
ASTM B488, (HARD GOLD) TYPE  
II CODE C CLASS 1.27

TERMINATION:  
SOLDER COATED WITH SN63A  
PER J-STD-006 OR AMS-P-  
81728

INTERFACIAL SEAL:  
SILICONE RUBBER PER A-A-  
59588



FRONT OF CONNECTOR  
FLANGE



ACTUAL SIZE

**NOTE:**

DIMENSIONS IN [ ] ARE IN  
MILLIMETERS UNLESS  
OTHERWISE NOTED AND ARE  
FOR REFERENCE ONLY

MMS SDW	THIRD ANGLE
	-TOLERANCES-
	UNLESS OTHERWISE NOTED
	DIMENSIONS IN INCHES
MCTS SLDW	2 PL DEC ± .01
	3 PL DEC ± .005
	4 PL DEC ± .0005
	ANGLES ± 1°

THIS DRAWING CONTAINS CONFIDENTIAL AND PROPRIETARY INFORMATION WHICH IS THE PROPERTY OF OMNETICS CONNECTOR CORP. THIS DOCUMENT MAY NOT, IN WHOLE OR IN PART, BE DUPLICATED, OR DISCLOSED FOR ANY PURPOSE, WITHOUT WRITTEN PERMISSION FROM OMNETICS CONNECTOR CORP.	
DFTM. TLM	DATE 07-27-15
CHK'D.	DATE
APP'D.	DATE

TITLE:  
(37) SOCKET FEMALE  
HORIZONTAL SURFACE  
MOUNT MICRO-D

**OMNETICS**  
CONNECTOR CORPORATION  
7260 COMMERCE CIRCLE EAST  
MINNEAPOLIS, MN 55432  
WWW.OMNETICS.COM

CAGE CODE 61873
DWG NO. A99204-037
SHEET 2 OF 2
SCALE: 2:1
REV B