

MATERIALS

PART NO.	A99100-100	REV	ECO	DATE	APP
		B	106302	03-31-2020	TLM

HOUSING:
ALUMINUM 6061, NICKEL PLATE
(500 MICRONS MINIMUM) PER
SAE-AMS-2404

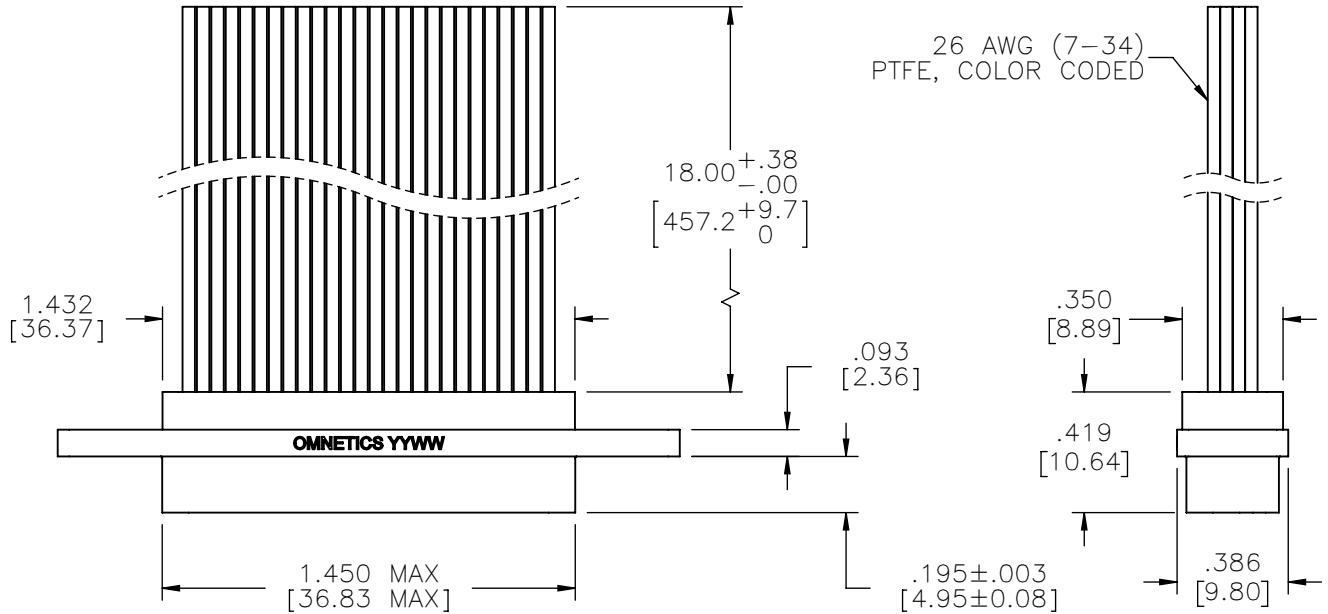
INSULATOR:
LIQUID CRYSTAL POLYMER (LCP)
PER ASTM D5138

CONTACT:
COPPER ALLOY PER MIL-DTL-
83513, GOLD PLATED PER ASTM
B488, (HARD GOLD) TYPE II CODE
C CLASS 1.27

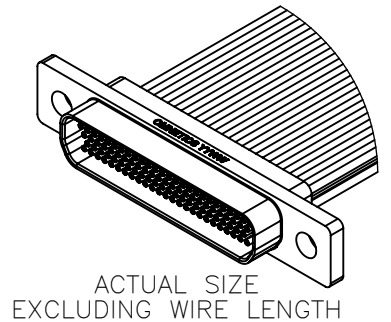
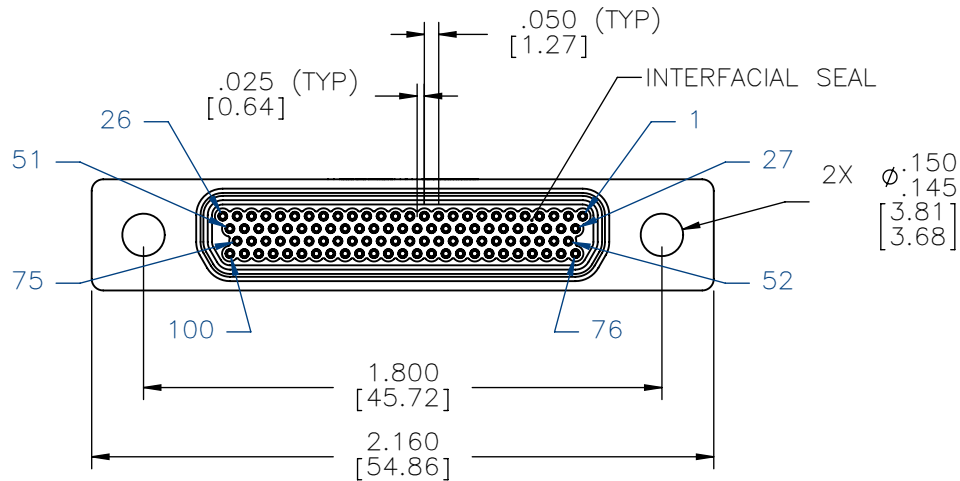
WIRE:
NEMA HP3 TYPE E, COLOR CODED
IAW MIL-STD-681, SYSTEM 1,
USING TEN SOLID REPEATING
COLORS

INTERFACIAL SEAL:
FLUOROSILICONE RUBBER PER
A-A-59588

HARDWARE:
AVAILABLE UPON REQUEST



SOCKET #	COLOR
1, 11, 21, 31, 41, 51, 61, 71, 81, 91	BLACK
2, 12, 22, 32, 42, 52, 62, 72, 82, 92	BROWN
3, 13, 23, 33, 43, 53, 63, 73, 83, 93	RED
4, 14, 24, 34, 44, 54, 64, 74, 84, 94	ORANGE
5, 15, 25, 35, 45, 55, 65, 75, 85, 95	YELLOW
6, 16, 26, 36, 46, 56, 66, 76, 86, 96	GREEN
7, 17, 27, 37, 47, 57, 67, 77, 87, 97	BLUE
8, 18, 28, 38, 48, 58, 68, 78, 88, 98	VIOLET
9, 19, 29, 39, 49, 59, 69, 79, 89, 99	GRAY
10, 20, 30, 40, 50, 60, 70, 80, 90, 100	WHITE



INTERNAL USE ONLY
SHEET 2 OF 2 IS
MANUFACTURING
LOADING DIAGRAM



NOTE:
DIMENSIONS IN [] ARE IN
MILLIMETERS UNLESS
OTHERWISE NOTED AND ARE
FOR REFERENCE ONLY

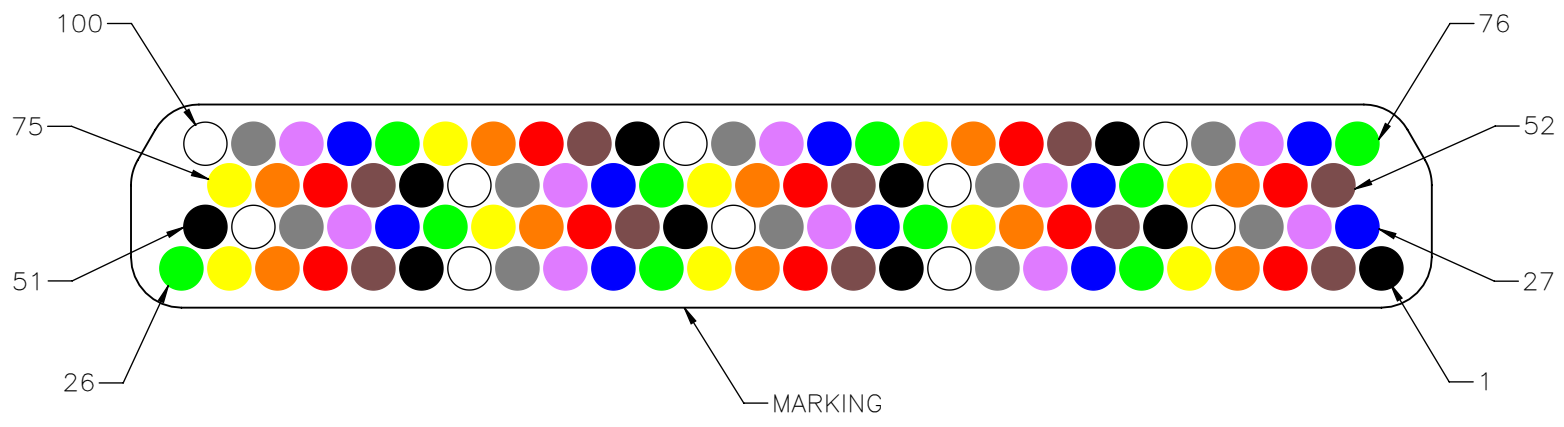
MMS SCDW	THIRD ANGLE
	-TOLERANCES-
	UNLESS OTHERWISE NOTED
	DIMENSIONS IN INCHES
MMS SLDW	2 PL DEC ± .01
	3 PL DEC ± .005
	4 PL DEC ± .0005
	ANGLES ± 1°

THIS DRAWING CONTAINS CONFIDENTIAL AND PROPRIETARY INFORMATION WHICH IS THE PROPERTY OF OMNETICS CONNECTOR CORP. THIS DOCUMENT MAY NOT, IN WHOLE OR IN PART, BE DUPLICATED, OR DISCLOSED FOR ANY PURPOSE, WITHOUT WRITTEN PERMISSION FROM OMNETICS CONNECTOR CORP.	
DFTM. NJS	DATE 11-20-09
CHK'D.	DATE
APP'D.	DATE

TITLE:
(100) SOCKET FEMALE
MICRO-D CONNECTOR

OMNETICS
CONNECTOR CORPORATION
7260 COMMERCE CIRCLE EAST
MINNEAPOLIS, MN 55432
WWW.OMNETICS.COM

CAGE CODE 61873	DWG NO. A99100-100
SHEET 1 OF 2	REV B
SCALE: 3:2	



SOCKET #	COLOR
1, 11, 21, 31, 41, 51, 61, 71, 81, 91	BLACK
2, 12, 22, 32, 42, 52, 62, 72, 82, 92	BROWN
3, 13, 23, 33, 43, 53, 63, 73, 83, 93	RED
4, 14, 24, 34, 44, 54, 64, 74, 84, 94	ORANGE
5, 15, 25, 35, 45, 55, 65, 75, 85, 95	YELLOW
6, 16, 26, 36, 46, 56, 66, 76, 86, 96	GREEN
7, 17, 27, 37, 47, 57, 67, 77, 87, 97	BLUE
8, 18, 28, 38, 48, 58, 68, 78, 88, 98	VIOLET
9, 19, 29, 39, 49, 59, 69, 79, 89, 99	GRAY
10, 20, 30, 40, 50, 60, 70, 80, 90, 100	WHITE

MMSD SLDW	THIRD ANGLE
	—TOLERANCES— UNLESS OTHERWISE NOTED
	DIMENSIONS IN INCHES
	2 PL DEC ± .01 3 PL DEC ± .005 4 PL DEC ± .0005 ANGLES ± 1°

THIS DRAWING CONTAINS CONFIDENTIAL AND PROPRIETARY INFORMATION WHICH IS THE PROPERTY OF OMNETICS CONNECTOR CORP. THIS DOCUMENT MAY NOT, IN WHOLE OR IN PART, BE DUPLICATED, OR DISCLOSED FOR ANY PURPOSE, WITHOUT WRITTEN PERMISSION FROM OMNETICS CONNECTOR CORP.	
DFTM. NJS	DATE 11-20-09
CHK'D.	DATE
APP'D.	DATE

TITLE:
(100) SOCKET FEMALE
MICRO-D CONNECTOR

OMNETICS
CONNECTOR CORPORATION
7260 COMMERCE CIRCLE EAST
MINNEAPOLIS, MN 55432
WWW.OMNETICS.COM

CAGE CODE 61873	REV B
DWG NO. A99100-100	REV B
SHEET 2 OF 2	SCALE: 5:1