

MATERIALS

PART NO.	A99015-513	REV	ECO	DATE	APP
		A	99478	04-23-13	TLM

HOUSING:
ALUMINUM 6061-T6, NICKEL PLATE
PER SAE-AMS-2404

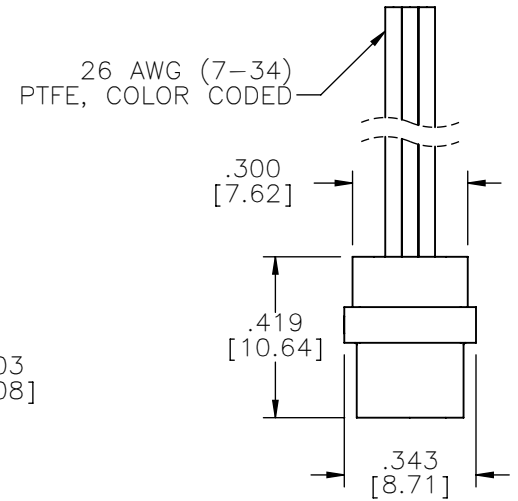
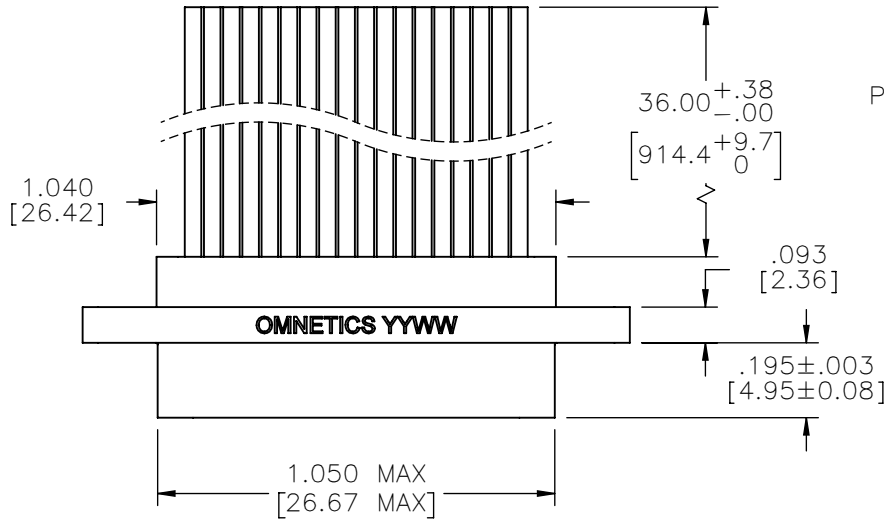
INSULATOR:
LIQUID CRYSTAL POLYMER (LCP)
PER ASTM D5138

CONTACT:
COPPER ALLOY PER MIL-DTL-
83513, GOLD PLATED PER ASTM
B488, (HARD GOLD) TYPE II CODE
C CLASS 1.27

WIRE:
NEMA HP3 TYPE E, COLOR CODED
IAW MIL-STD-681, SYSTEM 1,
USING TEN SOLID REPEATING
COLORS

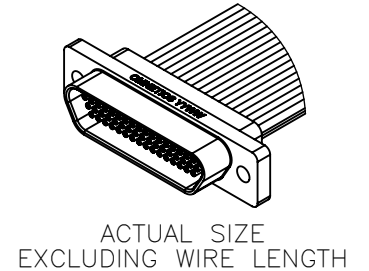
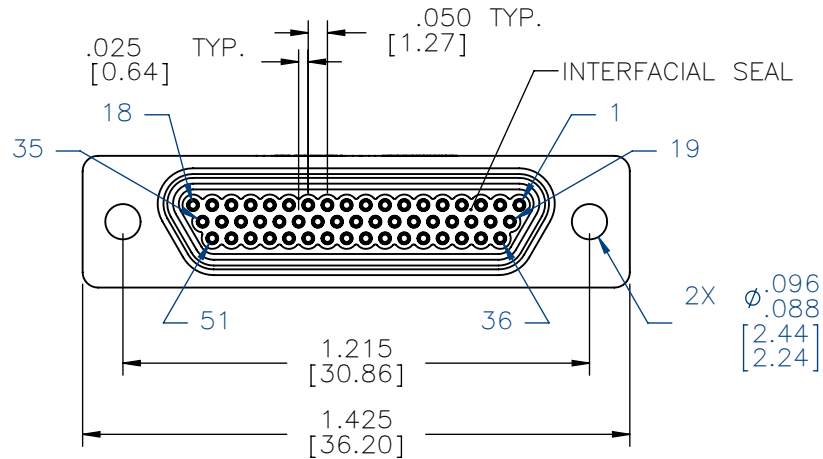
INTERFACIAL SEAL:
SILICONE RUBBER PER A-A-59588

HARDWARE:
AVAILABLE UPON REQUEST



SOCKET #	COLOR
1, 11, 21, 31, 41, 51	BLACK
2, 12, 22, 32, 42	BROWN
3, 13, 23, 33, 43	RED
4, 14, 24, 34, 44	ORANGE
5, 15, 25, 35, 45	YELLOW
6, 16, 26, 36, 46	GREEN
7, 17, 27, 37, 47	BLUE
8, 18, 28, 38, 48	VIOLET
9, 19, 29, 39, 49	GRAY
10, 20, 30, 40, 50	WHITE

INTERNAL USE ONLY
USE MFG LOADING
PROCEDURE MMDS-513



RoHS

NOTE:

DIMENSIONS IN [] ARE IN
MILLIMETERS UNLESS
OTHERWISE NOTED AND ARE
FOR REFERENCE ONLY

MMDS-513	THIRD ANGLE	THIS DRAWING CONTAINS CONFIDENTIAL AND PROPRIETARY INFORMATION WHICH IS THE PROPERTY OF OMNETICS CONNECTOR CORP. THIS DOCUMENT MAY NOT, IN WHOLE OR IN PART, BE DUPLICATED, OR DISCLOSED FOR ANY PURPOSE, WITHOUT WRITTEN PERMISSION FROM OMNETICS CONNECTOR CORP.	
	-TOLERANCES-	DFTM. JMJ	DATE 04-23-13
	UNLESS OTHERWISE NOTED	CHK'D.	DATE
	DIMENSIONS IN INCHES	APP'D.	DATE
2 PL DEC ± .01	TITLE: (51) SOCKET FEMALE MICRO-D CONNECTOR		
3 PL DEC ± .005			
4 PL DEC ± .0005			
ANGLES ± 1°			

OMNETICS
CONNECTOR CORPORATION
7260 COMMERCE CIRCLE EAST
MINNEAPOLIS, MN 55432
WWW.OMNETICS.COM

CAGE CODE	61873
DWG NO.	A99015-513
SHEET 1 OF 1	REV A
SCALE: 2:1	