

MATERIALS

HOUSING:

ALUMINUM 6061-T6, NICKEL PLATE
PER SAE-AMS-2404

INSULATOR:

LIQUID CRYSTAL POLYMER (LCP)
PER ASTM D5138

CONTACT:

COPPER ALLOY PER MIL-DTL-
83513, GOLD PLATED PER ASTM
B488, (HARD GOLD) TYPE II CODE
C CLASS 1.27

WIRE:

NEMA HP3 TYPE E, COLOR CODED
IAW MIL-STD-681, SYSTEM 1,
USING TEN SOLID REPEATING
COLORS

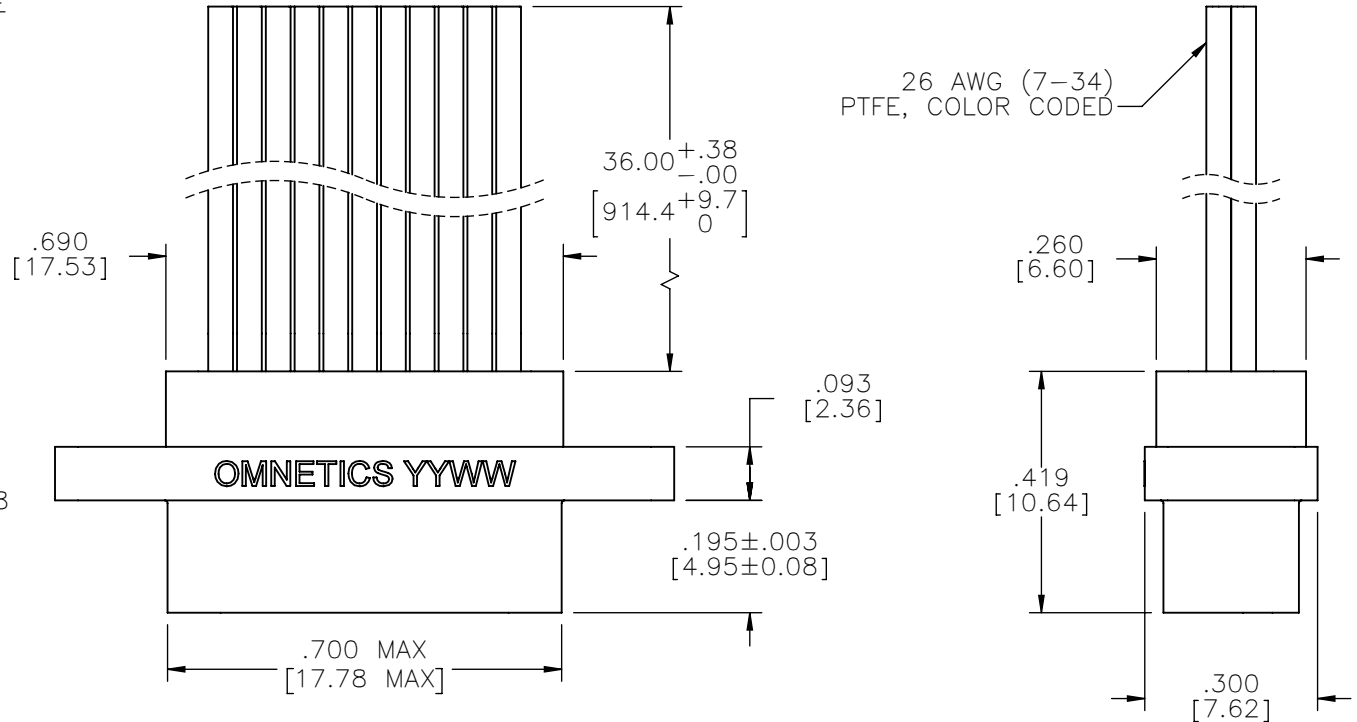
INTERFACIAL SEAL:

SILICONE RUBBER PER A-A-59588

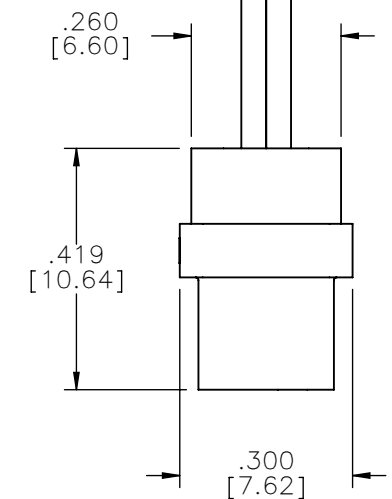
HARDWARE:

AVAILABLE UPON REQUEST

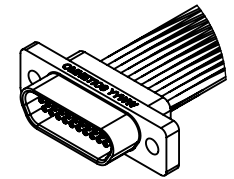
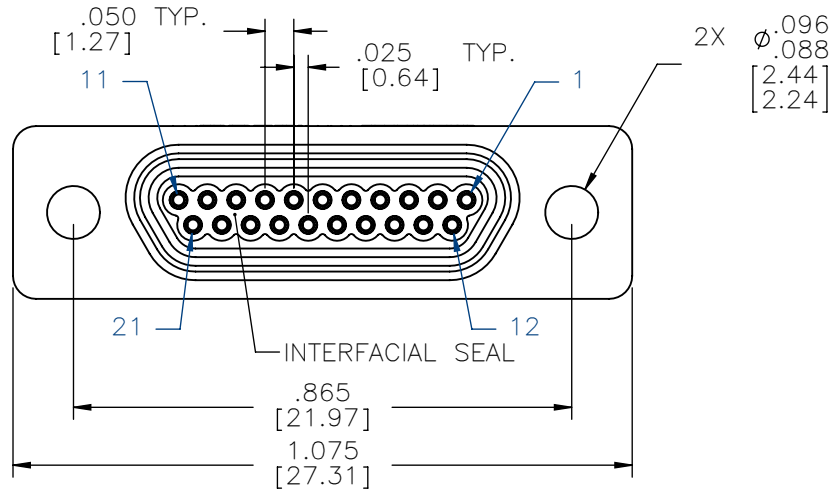
PART NO.	A99015-021	REV	ECO	DATE	APP
		B	99478	04-23-13	TLM



26 AWG (7-34)
PTFE, COLOR CODED



SOCKET #	COLOR
1, 11, 21	BLACK
2, 12	BROWN
3, 13	RED
4, 14	ORANGE
5, 15	YELLOW
6, 16	GREEN
7, 17	BLUE
8, 18	VIOLET
9, 19	GRAY
10, 20	WHITE



ACTUAL SIZE
EXCLUDING WIRE LENGTH

INTERNAL USE ONLY
USE MFG LOADING
PROCEDURE MMDS-021

RoHS

NOTE:

DIMENSIONS IN [] ARE IN
MILLIMETERS UNLESS
OTHERWISE NOTED AND ARE
FOR REFERENCE ONLY

MDS SLDW	THIRD ANGLE	THIS DRAWING CONTAINS CONFIDENTIAL AND PROPRIETARY INFORMATION WHICH IS THE PROPERTY OF OMNETICS CONNECTOR CORP. THIS DOCUMENT MAY NOT, IN WHOLE OR IN PART, BE DUPLICATED, OR DISCLOSED FOR ANY PURPOSE, WITHOUT WRITTEN PERMISSION FROM OMNETICS CONNECTOR CORP.	DATE 06-01-11	TITLE: (21) SOCKET FEMALE MICRO-D CONNECTOR	CAGE CODE 61873											
	-TOLERANCES-					DATE	DATE	DATE	OMNETICS CONNECTOR CORPORATION	7260 COMMERCE CIRCLE EAST MINNEAPOLIS, MN 55432 WWW.OMNETICS.COM	DWG NO. A99015-021	SHEET 1 OF 1	REV B			
	UNLESS OTHERWISE NOTED													DFTM. TLM	APP'D.	SCALE: 3:1
	DIMENSIONS IN INCHES													CHK'D.		
2 PL DEC ± .01																
3 PL DEC ± .005																
4 PL DEC ± .0005																
ANGLES ± 1°																