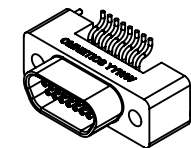
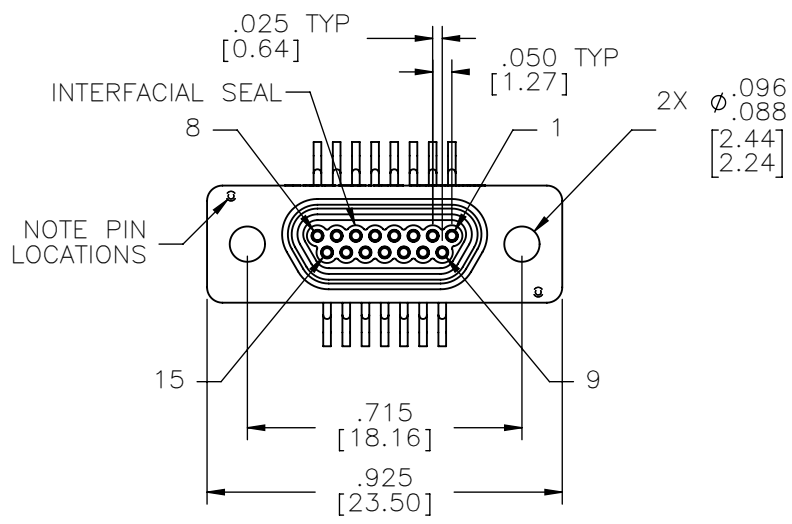
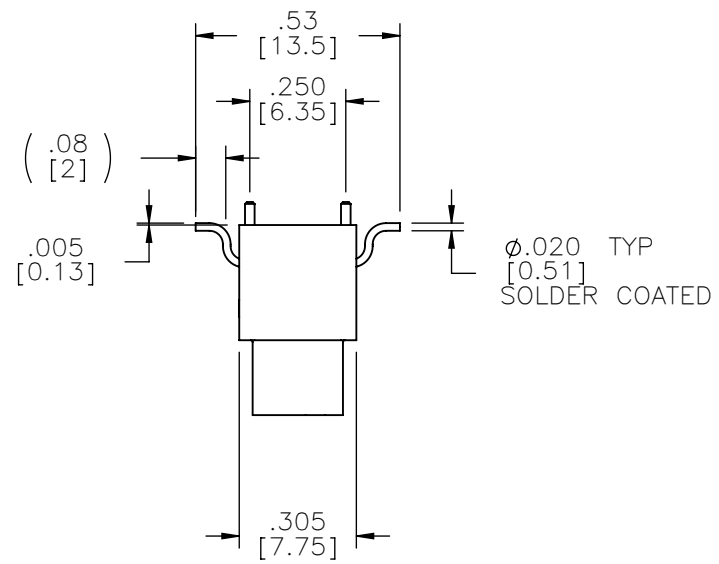
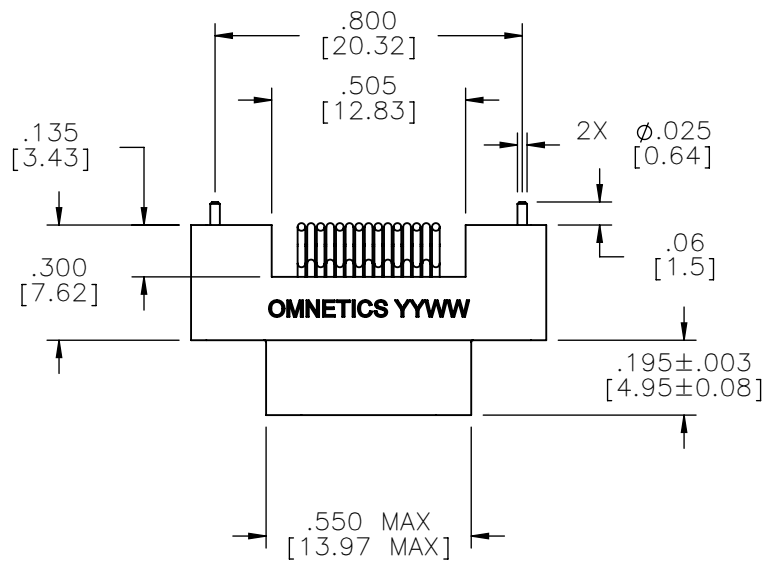


PART NO.	A99002-015	REV	ECO	DATE	APP
		A	101818	08-11-15	TLM



ACTUAL SIZE

NOTE:
DIMENSIONS IN [] ARE IN MILLIMETERS UNLESS OTHERWISE NOTED AND ARE FOR REFERENCE ONLY

MMSD SLDW	THIRD ANGLE
	- TOLERANCES - UNLESS OTHERWISE NOTED
	DIMENSIONS IN INCHES
	2 PL DEC ± .01 3 PL DEC ± .005 4 PL DEC ± .0005 ANGLES ± 1°

THIS DRAWING CONTAINS CONFIDENTIAL AND PROPRIETARY INFORMATION WHICH IS THE PROPERTY OF OMNETICS CONNECTOR CORP. THIS DOCUMENT MAY NOT, IN WHOLE OR IN PART, BE DUPLICATED, OR DISCLOSED FOR ANY PURPOSE, WITHOUT WRITTEN PERMISSION FROM OMNETICS CONNECTOR CORP.	
DFTM. TLM	DATE 07-27-15
CHK'D.	DATE
APP'D.	DATE

TITLE:
**(15) SOCKET FEMALE
VERTICAL SURFACE
MOUNT MICRO-D**

OMNETICS
CONNECTOR CORPORATION
7260 COMMERCE CIRCLE EAST
MINNEAPOLIS, MN 55432
WWW.OMNETICS.COM

CAGE CODE 61873
DWG NO. A99002-015
SHEET 1 OF 2
SCALE: 2:1
REV A

PART NO.	A99002-015	REV	ECO	DATE	APP
		A	101818	08-11-15	TLM

MATERIALS

HOUSING:

ALUMINUM 6061-T6, NICKEL
PLATE PER SAE-AMS-2404

INSULATOR:

LIQUID CRYSTAL POLYMER (LCP)
PER ASTM D5138

CONTACT:

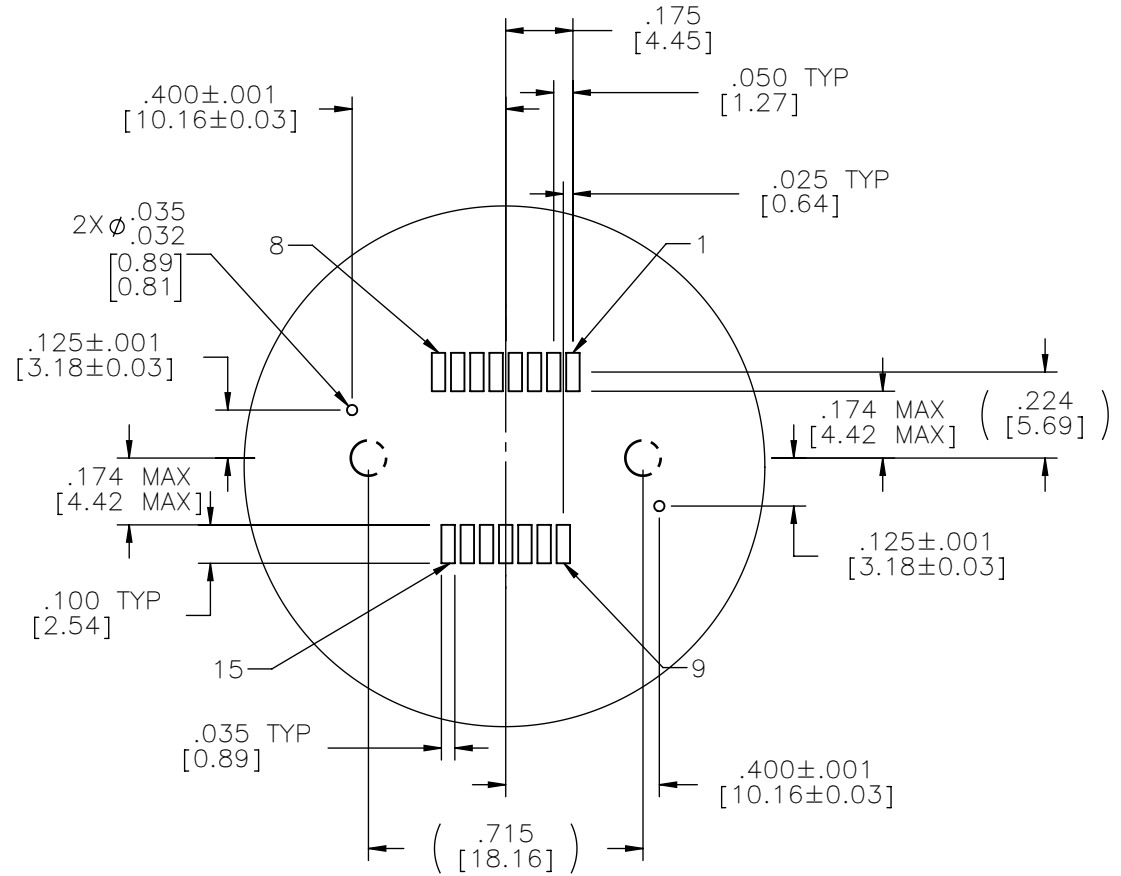
COPPER ALLOY PER MIL-DTL-
83513, GOLD PLATED PER
ASTM B488, (HARD GOLD) TYPE
II CODE C CLASS 1.27

TERMINATION:

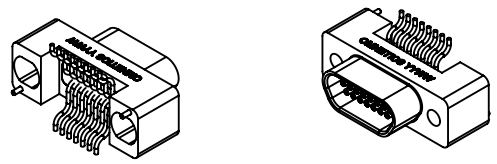
SOLDER COATED WITH SN63A
PER J-STD-006 OR AMS-P-
81728

INTERFACIAL SEAL:

SILICONE RUBBER PER A-A-
59588



SUGGESTED BOARD LAYOUT



ACTUAL SIZE

NOTE:

DIMENSIONS IN [] ARE IN
MILLIMETERS UNLESS
OTHERWISE NOTED AND ARE
FOR REFERENCE ONLY

MMS	THIRD ANGLE
	—TOLERANCES— UNLESS OTHERWISE NOTED
SLDW	DIMENSIONS IN INCHES
	2 PL DEC± .01
	3 PL DEC± .005
	4 PL DEC± .0005
	ANGLES ± 1°

THIS DRAWING CONTAINS CONFIDENTIAL AND PROPRIETARY INFORMATION WHICH IS THE PROPERTY OF OMNETICS CONNECTOR CORP. THIS DOCUMENT MAY NOT, IN WHOLE OR IN PART, BE DUPLICATED, OR DISCLOSED FOR ANY PURPOSE, WITHOUT WRITTEN PERMISSION FROM OMNETICS CONNECTOR CORP.	
DFTM. TLM	DATE 07-27-15
CHK'D.	DATE
APP'D.	DATE

TITLE:
(15) SOCKET FEMALE
VERTICAL SURFACE
MOUNT MICRO-D

OMNETICS
CONNECTOR CORPORATION
7260 COMMERCE CIRCLE EAST
MINNEAPOLIS, MN 55432
WWW.OMNETICS.COM

CAGE CODE 61873	REV
DWG NO. A99002-015	A
SHEET 2 OF 2	
SCALE: 2:1	