

MATERIALS

HOUSING:

ALUMINUM 6061, NICKEL PLATE
(500 MICRONS MINIMUM)
PER SAE-AMS-2404

INSULATOR:

LIQUID CRYSTAL POLYMER (LCP)
PER ASTM D5138

CONTACT/SOLDERCUP:

COPPER ALLOY PER MIL-DTL-
83513, GOLD PLATED PER ASTM
B488, (HARD GOLD) TYPE II
CODE C CLASS 1.27

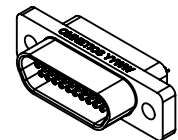
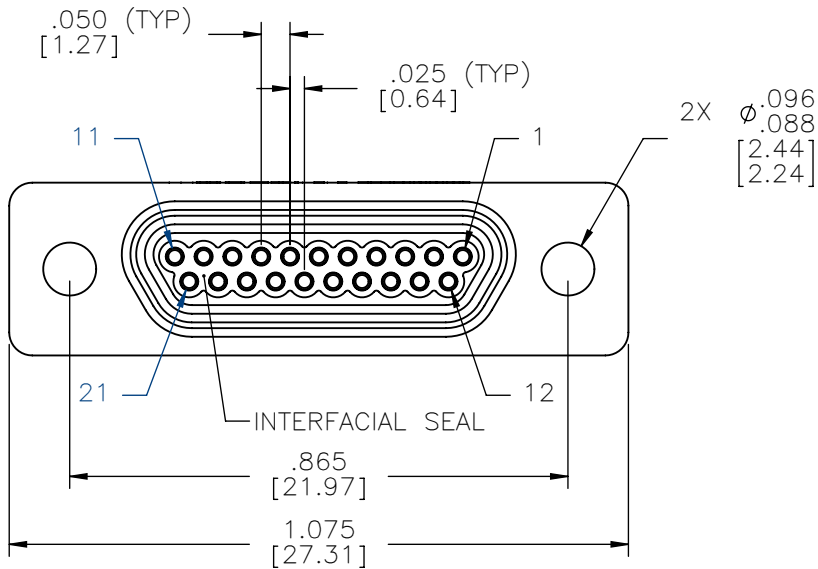
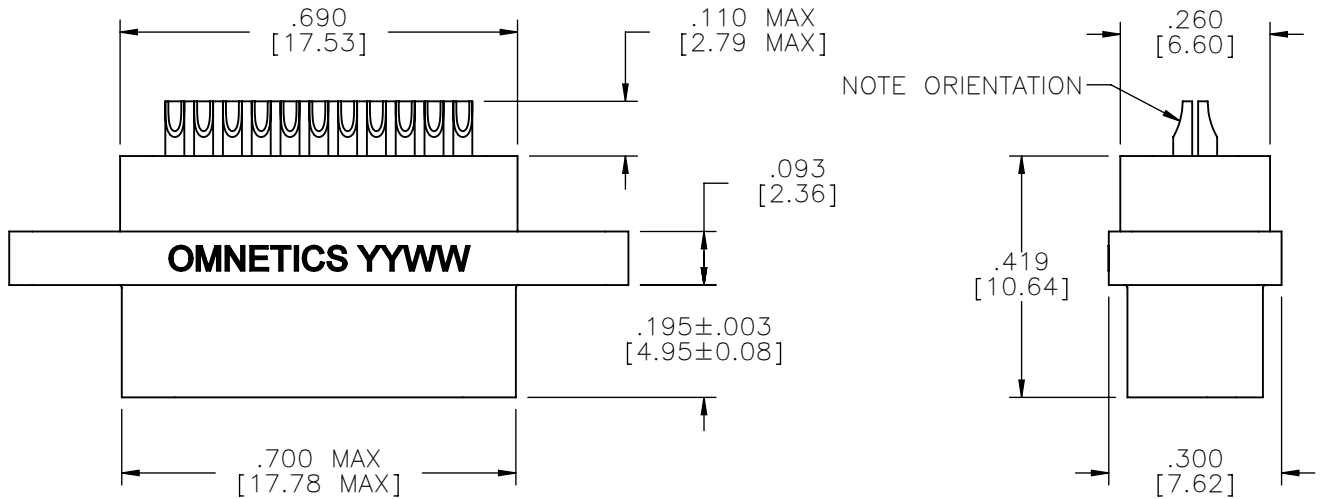
INTERFACIAL SEAL:

SILICONE RUBBER PER A-A-
59588

HARDWARE:

AVAILABLE UPON REQUEST

PART NO.	A99000-021	REV	ECO	DATE	APP
		C	104188	01-29-18	HV



RoHS

NOTE:

DIMENSIONS IN [] ARE IN MILLIMETERS UNLESS OTHERWISE NOTED AND ARE FOR REFERENCE ONLY

MMSD	THIRD ANGLE	THIS DRAWING CONTAINS CONFIDENTIAL AND PROPRIETARY INFORMATION WHICH IS THE PROPERTY OF OMNETICS CONNECTOR CORP. THIS DOCUMENT MAY NOT, IN WHOLE OR IN PART, BE DUPLICATED, OR DISCLOSED FOR ANY PURPOSE, WITHOUT WRITTEN PERMISSION FROM OMNETICS CONNECTOR CORP.	DATE 01-13-10	TITLE: (21) SOCKET FEMALE MICRO-D CONNECTOR	CAGE CODE 61873
	-TOLERANCES- UNLESS OTHERWISE NOTED DIMENSIONS IN INCHES				
SLDW	2 PL DEC ± .01	DFTM. NJS	DATE		DWG NO. A99000-021
	3 PL DEC ± .005	CHK'D.	DATE		SHEET 1 OF 1
	4 PL DEC ± .0005	APP'D.	DATE		REV C
	ANGLES ± 1°				SCALE: 3:1

OMNETICS
CONNECTOR CORPORATION
7260 COMMERCE CIRCLE EAST
MINNEAPOLIS, MN 55432
WWW.OMNETICS.COM