

PART NO.	A98243-001	REV	ECO	DATE	APP
		A	104984	11-01-18	HV

**MATERIALS**

**HOUSING:**

ALUMINUM 6061, NICKEL PLATED  
(500 MICRONS MINIMUM) PER  
SAE-AMS-2404

**INSULATOR & CAP:**

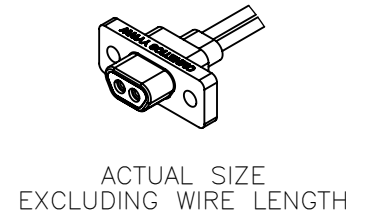
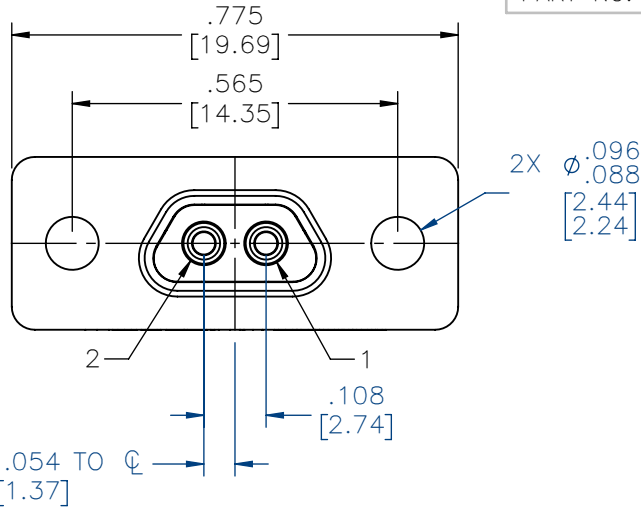
PPS PER MIL-M-24519, TYPE  
GST 40F

**CONTACT:**

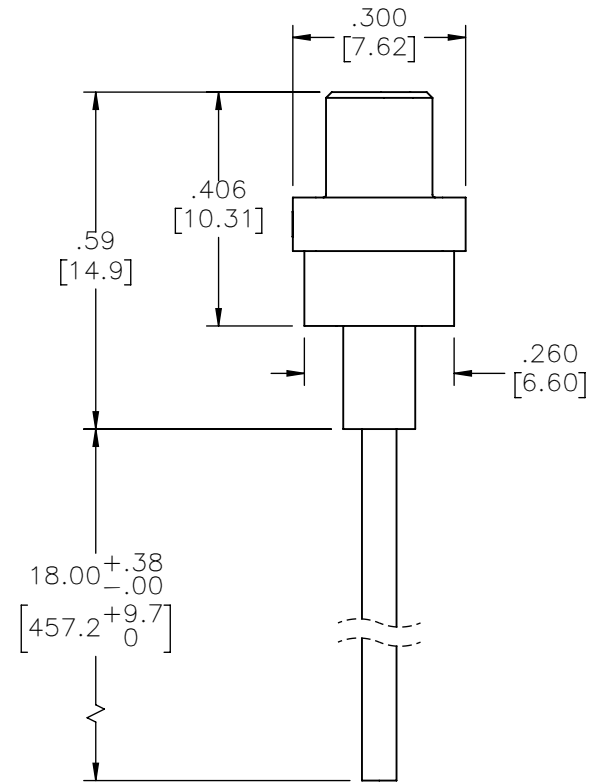
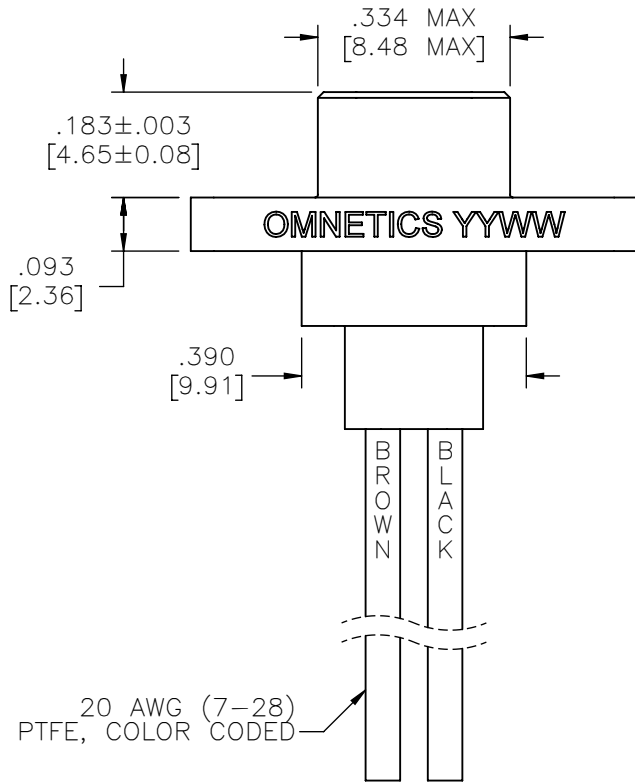
COPPER ALLOY PER SAE-AS39029  
GOLD PLATED PER ASTM B488,  
(HARD GOLD) TYPE II, CODE C  
CLASS 1.27

**WIRE:**

NEMA HP3 TYPE E, COLOR CODED  
IAW MIL-STD-681, SYSTEM 1,  
USING TEN SOLID REPEATING  
COLORS



CONTACT #	COLOR
1	BLACK
2	BROWN



**NOTE:**

DIMENSIONS IN [ ] ARE IN  
MILLIMETERS UNLESS  
OTHERWISE NOTED AND ARE  
FOR REFERENCE ONLY

MMDP	THIRD ANGLE $\phi$ $\triangleleft$
	-TOLERANCES-
SLDW	UNLESS OTHERWISE NOTED
	DIMENSIONS IN INCHES
	2 PL DEC $\pm$ .01
	3 PL DEC $\pm$ .005
	4 PL DEC $\pm$ .0005
	ANGLES $\pm$ 1°

THIS DRAWING CONTAINS CONFIDENTIAL AND PROPRIETARY INFORMATION WHICH IS THE PROPERTY OF OMNETICS CONNECTOR CORP. THIS DOCUMENT MAY NOT, IN WHOLE OR IN PART, BE DUPLICATED, OR DISCLOSED FOR ANY PURPOSE, WITHOUT WRITTEN PERMISSION FROM OMNETICS CONNECTOR CORP.	
DFTM. STN	DATE
CHK'D.	10-26-18
APP'D.	DATE
TITLE: (2-0) CONTACT PLUG HYBRID POWER MICRO-D CONNECTOR	

**OMNETICS**  
CONNECTOR CORPORATION  
7260 COMMERCE CIRCLE EAST  
MINNEAPOLIS, MN 55432  
WWW.OMNETICS.COM

CAGE CODE 61873	
DWG NO. A98243-001	
SHEET 1 OF 1	REV A
SCALE: 3:1	