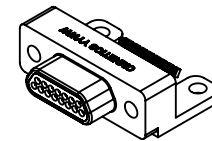
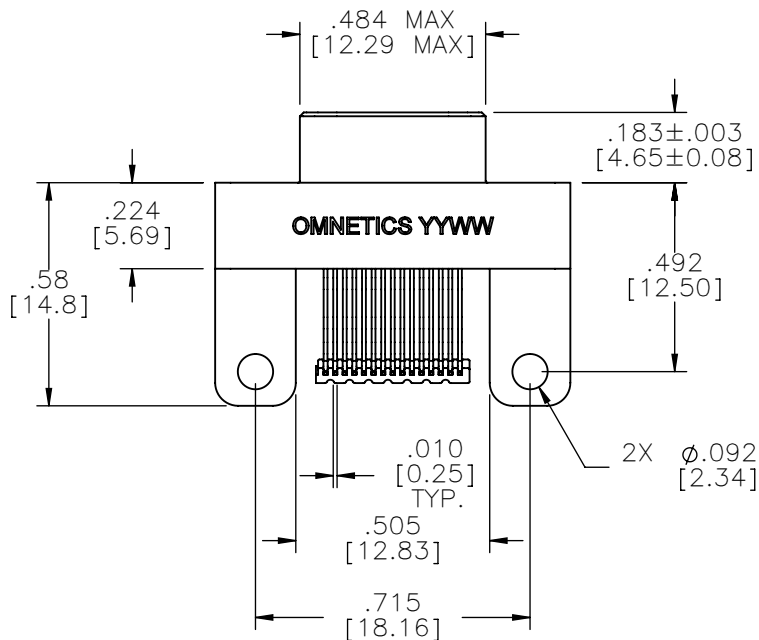
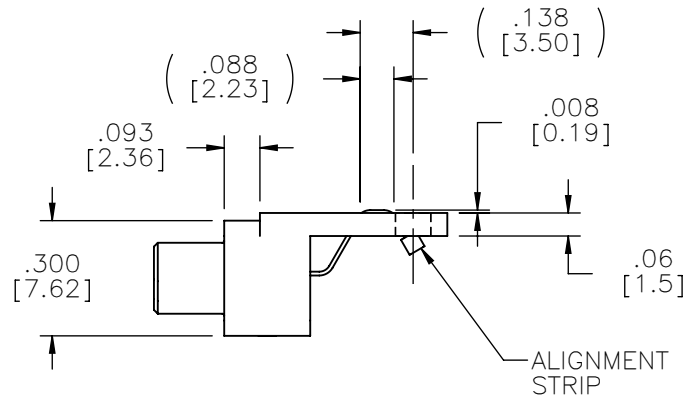
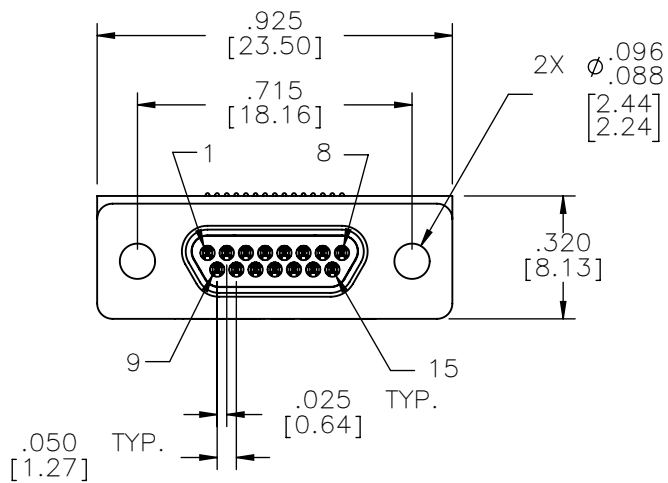


|          |            |     |        |          |     |
|----------|------------|-----|--------|----------|-----|
| PART NO. | A98118-015 | REV | ECO    | DATE     | APP |
|          |            | A   | 100108 | 12-12-13 | TLM |



ACTUAL SIZE

NOTE:

DIMENSIONS IN [ ] ARE IN MILLIMETERS UNLESS OTHERWISE NOTED AND ARE FOR REFERENCE ONLY

|      |  |
|------|--|
| MMDP | THIRD ANGLE                            |
|      | -TOLERANCES-<br>UNLESS OTHERWISE NOTED |
| SLDW | DIMENSIONS IN INCHES                   |
|      | 2 PL DEC± .01                          |
|      | 3 PL DEC± .005                         |
|      | 4 PL DEC± .0005                        |
|      | ANGLES ± 1°                            |

|  |               |
|--|---------------|
| THIS DRAWING CONTAINS CONFIDENTIAL AND PROPRIETARY INFORMATION WHICH IS THE PROPERTY OF OMNETICS CONNECTOR CORP. THIS DOCUMENT MAY NOT, IN WHOLE OR IN PART, BE DUPLICATED, OR DISCLOSED FOR ANY PURPOSE, WITHOUT WRITTEN PERMISSION FROM OMNETICS CONNECTOR CORP. |               |
| DFTM. TLM  | DATE 12-04-13 |
| CHK'D.   | DATE          |
| APP'D.   | DATE          |

TITLE:  
(15) PIN MALE  
HORIZONTAL SURFACE  
MOUNT MICRO-D

**OMNETICS**  
CONNECTOR CORPORATION  
7260 COMMERCE CIRCLE EAST  
MINNEAPOLIS, MN 55432  
WWW.OMNETICS.COM

|                    |
|--------------------|
| CAGE CODE 61873    |
| DWG NO. A98118-015 |
| SHEET 1 OF 2       |
| SCALE: 2:1         |
| REV A              |

|          |            |     |        |          |     |
|----------|------------|-----|--------|----------|-----|
| PART NO. | A98118-015 | REV | ECO    | DATE     | APP |
|          |            | A   | 100108 | 12-12-13 | TLM |

### MATERIALS

#### HOUSING:

ALUMINUM 6061-T6, NICKEL  
PLATE PER SAE-AMS-2404

#### INSULATOR & ALIGNMENT STRIP:

LIQUID CRYSTAL POLYMER (LCP)  
PER ASTM D5138

#### CONTACT:

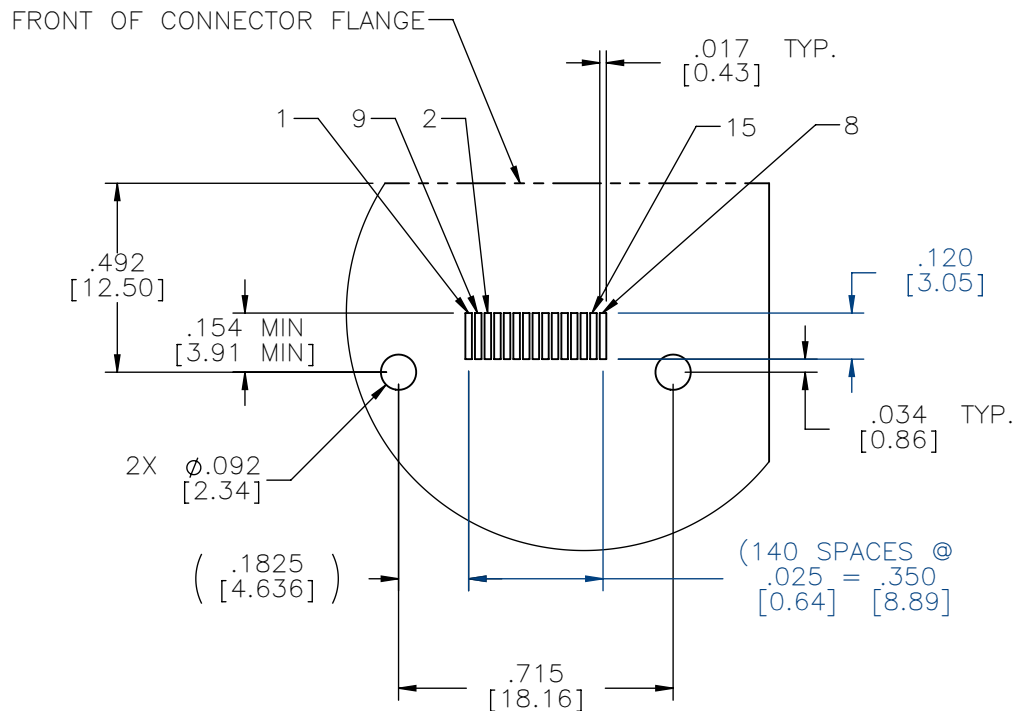
BERYLLIUM COPPER PER ASTM  
B194, C17200, GOLD PLATED  
PER ASTM B488, (HARD GOLD)  
TYPE II CODE C, CLASS 1.27

#### TERMINATION:

SOLDER COATED WITH SN63A  
PER J-STD-006 OR AMS-P-  
81728

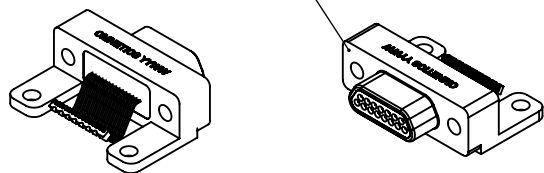
#### HARDWARE:

UPON REQUEST



SUGGESTED BOARD LAYOUT

FRONT OF CONNECTOR  
FLANGE



ACTUAL SIZE

|      |                        |
|------|------------------------|
| MMDP | THIRD ANGLE            |
|      | -TOLERANCES-           |
| SLDW | UNLESS OTHERWISE NOTED |
|      | DIMENSIONS IN INCHES   |
|      | 2 PL DEC ± .01         |
|      | 3 PL DEC ± .005        |
|      | 4 PL DEC ± .0005       |
|      | ANGLES ± 1°            |

THIS DRAWING CONTAINS CONFIDENTIAL AND PROPRIETARY INFORMATION WHICH IS THE PROPERTY OF OMNETICS CONNECTOR CORP. THIS DOCUMENT MAY NOT, IN WHOLE OR IN PART, BE DUPLICATED, OR DISCLOSED FOR ANY PURPOSE, WITHOUT WRITTEN PERMISSION FROM OMNETICS CONNECTOR CORP.

|        |     |      |          |
|--------|-----|------|----------|
| DFTM.  | TLM | DATE | 12-04-13 |
| CHK'D. |     | DATE |          |
| APP'D. |     | DATE |          |

TITLE:  
(15) PIN MALE  
HORIZONTAL SURFACE  
MOUNT MICRO-D

**OMNETICS**  
CONNECTOR CORPORATION  
7260 COMMERCE CIRCLE EAST  
MINNEAPOLIS, MN 55432  
WWW.OMNETICS.COM

|              |            |
|--------------|------------|
| CAGE CODE    | 61873      |
| DWG NO.      | A98118-015 |
| SHEET 2 OF 2 | REV A      |
| SCALE:       | 2:1        |