

MATERIALS

HOUSING:  
ALUMINUM 6061-T6, NICKEL  
PLATE PER SAE-AMS-2404

INSULATOR:  
LIQUID CRYSTAL POLYMER  
(LCP) PER ASTM D5138

CONTACT:  
BERYLLIUM COPPER PER  
ASTM B194, C17200, GOLD  
PLATED PER ASTM B488,  
(HARD GOLD) TYPE II CODE  
C, CLASS 1.27

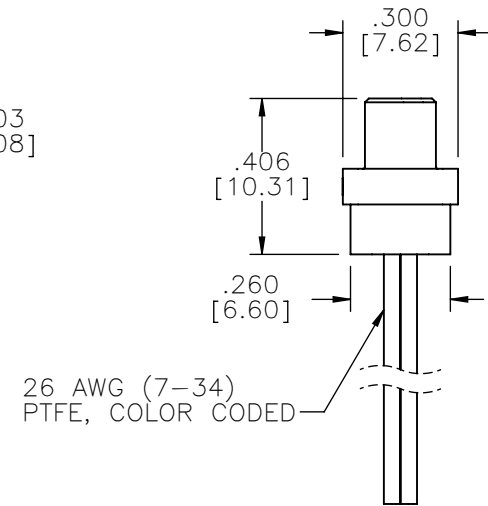
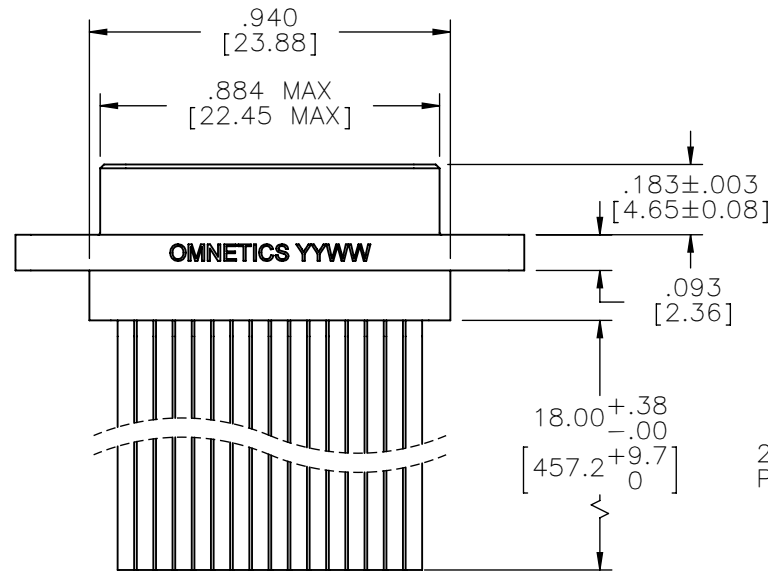
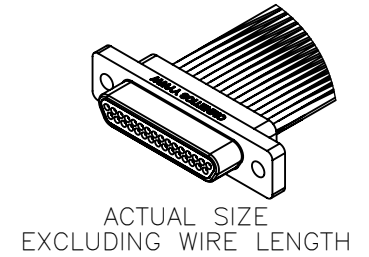
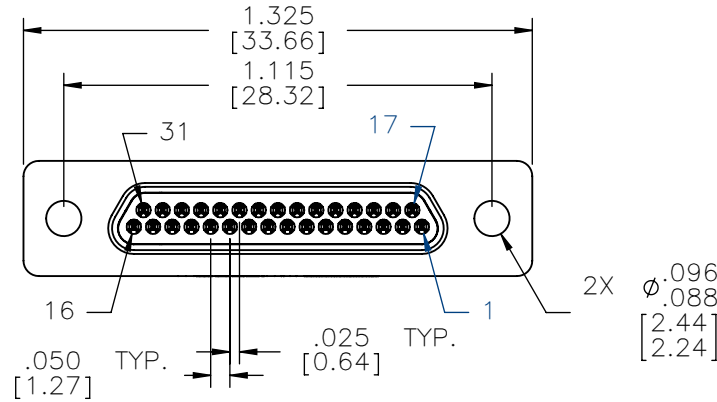
WIRE:  
NEMA HP3 TYPE E, COLOR  
CODED IAW MIL-STD-681,  
SYSTEM 1, USING TEN SOLID  
REPEATING COLORS

HARDWARE:  
AVAILABLE UPON REQUEST

PIN #	COLOR
1, 11, 21, 31	BLACK
2, 12, 22	BROWN
3, 13, 23	RED
4, 14, 24	ORANGE
5, 15, 25	YELLOW
6, 16, 26	GREEN
7, 17, 27	BLUE
8, 18, 28	VIOLET
9, 19, 29	GRAY
10, 20, 30	WHITE

INTERNAL USE ONLY  
USE MFG LOADING  
PROCEDURE MMDP-031

PART NO.	A98100-031	REV	ECO	DATE	APP
		B	99434	04-02-13	JMJ



**RoHS**

NOTE:

DIMENSIONS IN [ ] ARE IN  
MILLIMETERS UNLESS  
OTHERWISE NOTED AND ARE  
FOR REFERENCE ONLY

MMDP SLDW	THIRD ANGLE	THIS DRAWING CONTAINS CONFIDENTIAL AND PROPRIETARY INFORMATION WHICH IS THE PROPERTY OF OMNETICS CONNECTOR CORPORATION. THIS DOCUMENT MAY NOT, IN WHOLE OR IN PART, BE DUPLICATED, OR DISCLOSED FOR ANY PURPOSE, WITHOUT WRITTEN PERMISSION FROM OMNETICS CONNECTOR CORP.		<p><b>OMNETICS</b> CONNECTOR CORPORATION</p> <p>7260 COMMERCE CIRCLE EAST MINNEAPOLIS, MN 55432 WWW.OMNETICS.COM</p>	CAGE CODE <b>61873</b>
	-TOLERANCES-	DFTM. NJS	DATE		DWG NO.
	UNLESS OTHERWISE NOTED	CHK'D.	DATE		<b>A98100-031</b>
	DIMENSIONS IN INCHES	APP'D.	DATE		SHEET 1 OF 1
2 PL DEC ± .01	(31) PIN MALE MICRO-D CONNECTOR		REV	B	
3 PL DEC ± .005			SCALE: 2:1		
4 PL DEC ± .0005					
ANGLES ± 1°					