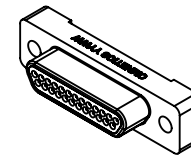
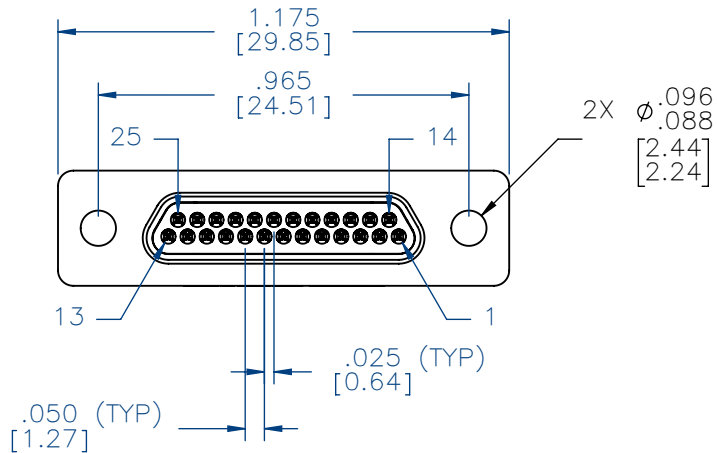
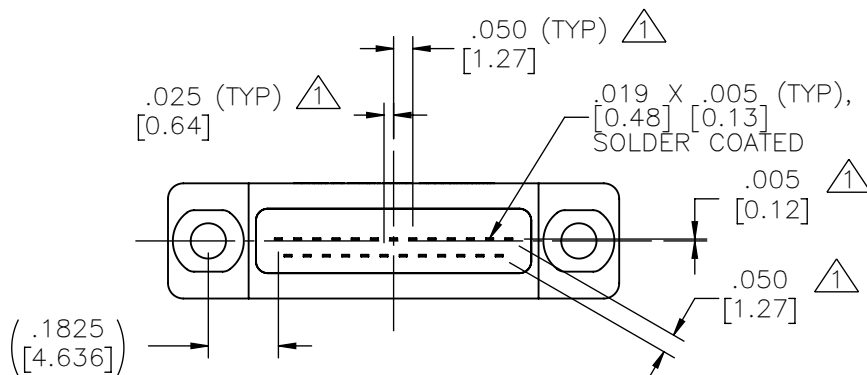
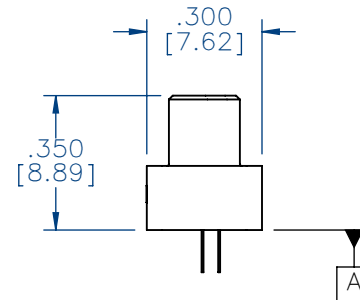
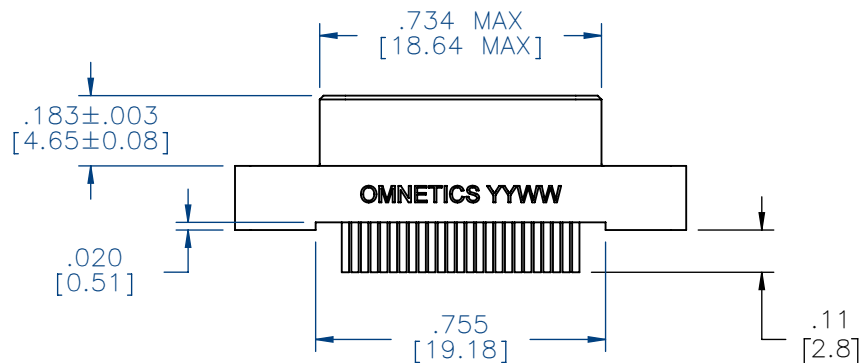


PART NO.	A98022-025	REV	ECO	DATE	APP
		B	104194	02-01-18	HV



ACTUAL SIZE



NOTES:

DIMENSIONS IN [ ] ARE IN MILLIMETERS UNLESS OTHERWISE NOTED AND ARE FOR REFERENCE ONLY

⚠ TAIL DIMENSIONS APPLY AT PLANE A

MMDP SLDW	THIRD ANGLE
	-TOLERANCES-
	UNLESS OTHERWISE NOTED
	DIMENSIONS IN INCHES
	2 PL DEC± .01
	3 PL DEC± .005
	4 PL DEC± .0005
	ANGLES ± 1°

THIS DRAWING CONTAINS CONFIDENTIAL AND PROPRIETARY INFORMATION WHICH IS THE PROPERTY OF OMNETICS CONNECTOR CORP. THIS DOCUMENT MAY NOT, IN WHOLE OR IN PART, BE DUPLICATED, OR DISCLOSED FOR ANY PURPOSE, WITHOUT WRITTEN PERMISSION FROM OMNETICS CONNECTOR CORP.	
DFTM. TLM	DATE 01-19-12
CHK'D.	DATE
APP'D.	DATE
TITLE: (25) PIN MALE STRAIGHT BOARD MOUNT MICRO-D CONNECTOR	

**OMNETICS**  
CONNECTOR CORPORATION  
7260 COMMERCE CIRCLE EAST  
MINNEAPOLIS, MN 55432  
WWW.OMNETICS.COM

CAGE CODE 61873
DWG NO. A98022-025
SHEET 1 OF 2
SCALE: 2:1
REV B

PART NO.	A98022-025	REV	ECO	DATE	APP
		B	104194	02-01-18	HV

### MATERIALS

#### HOUSING:

ALUMINUM 6061, NICKEL PLATE  
(500 MICRONS MINIMUM)  
PER SAE-AMS-2404

#### INSULATOR:

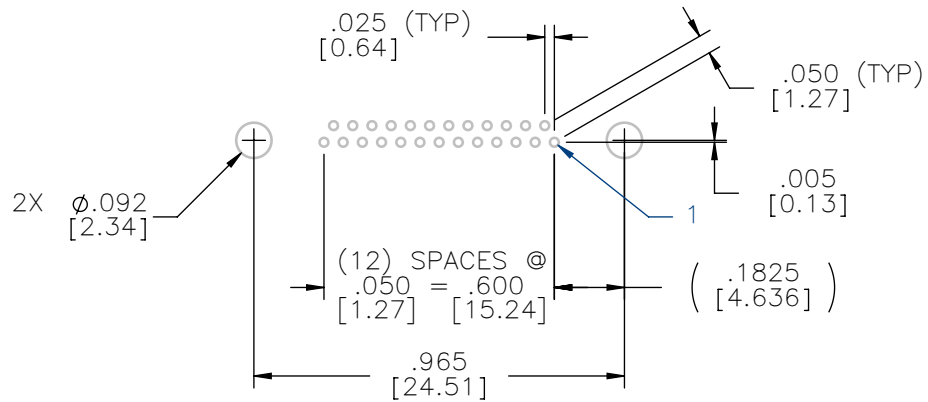
LIQUID CRYSTAL POLYMER  
(LCP) PER ASTM D5138

#### CONTACT:

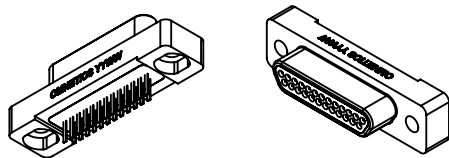
BERYLLIUM COPPER PER ASTM  
B194, C17200, GOLD PLATED  
PER ASTM B488, (HARD GOLD)  
TYPE II CODE C, CLASS 1.27  
(CONTACT MATING AREA ONLY)

#### TERMINATION:

SOLDER COATED WITH SN63A  
PER J-STD-006 OR AMS-P-  
81728



SUGGESTED HOLE PATTERN



ACTUAL SIZE

#### NOTE:

DIMENSIONS IN [ ] ARE IN MILLIMETERS UNLESS OTHERWISE NOTED AND ARE FOR REFERENCE ONLY

MMDP	THIRD ANGLE	THIS DRAWING CONTAINS CONFIDENTIAL AND PROPRIETARY INFORMATION WHICH IS THE PROPERTY OF OMNETICS CONNECTOR CORP. THIS DOCUMENT MAY NOT, IN WHOLE OR IN PART, BE DUPLICATED, OR DISCLOSED FOR ANY PURPOSE, WITHOUT WRITTEN PERMISSION FROM OMNETICS CONNECTOR CORP.		<b>OMNETICS</b> CONNECTOR CORPORATION 7260 COMMERCE CIRCLE EAST MINNEAPOLIS, MN 55432 WWW.OMNETICS.COM	CAGE CODE <b>61873</b>	
	SLDW	-TOLERANCES- UNLESS OTHERWISE NOTED DIMENSIONS IN INCHES 2 PL DEC ± .01 3 PL DEC ± .005 4 PL DEC ± .0005 ANGLES ± 1°	DFTM. TLM DATE 01-19-12		TITLE: (25) PIN MALE STRAIGHT BOARD MOUNT MICRO-D CONNECTOR	DWG NO. <b>A98022-025</b>
		CHK'D.	DATE		REV B	
		APP'D.	DATE			