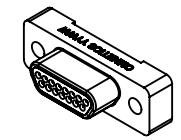
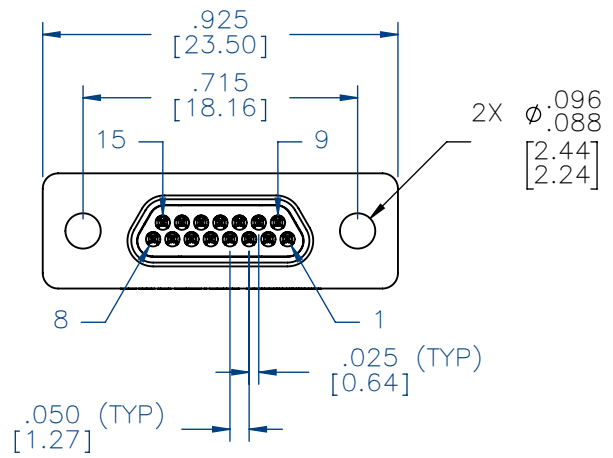
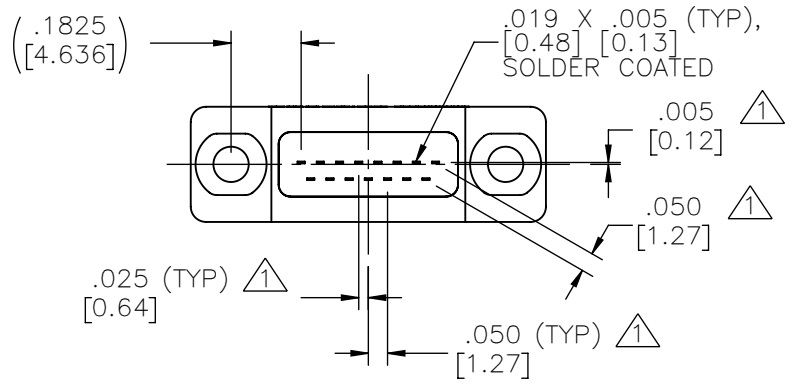
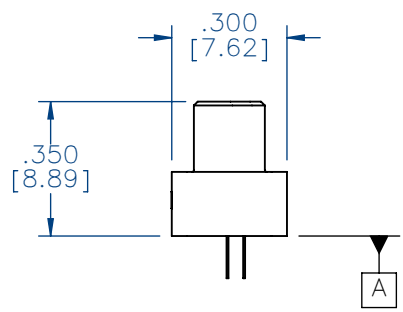
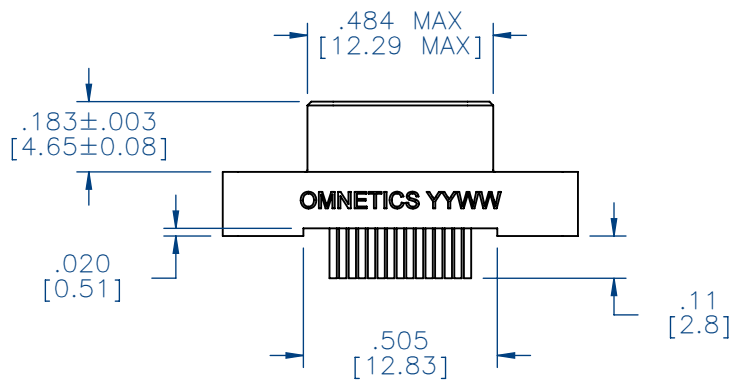


PART NO.	A98022-015	REV	ECO	DATE	APP
		B	104194	02-01-18	HV



ACTUAL SIZE



NOTES:

DIMENSIONS IN [] ARE IN MILLIMETERS UNLESS OTHERWISE NOTED AND ARE FOR REFERENCE ONLY

⚠ TAIL DIMENSIONS APPLY AT PLANE A

MMDP SLDW	THIRD ANGLE
	-TOLERANCES-
	UNLESS OTHERWISE NOTED
	DIMENSIONS IN INCHES
	2 PL DEC± .01
	3 PL DEC± .005
	4 PL DEC± .0005
	ANGLES ± 1°

THIS DRAWING CONTAINS CONFIDENTIAL AND PROPRIETARY INFORMATION WHICH IS THE PROPERTY OF OMNETICS CONNECTOR CORP. THIS DOCUMENT MAY NOT, IN WHOLE OR IN PART, BE DUPLICATED, OR DISCLOSED FOR ANY PURPOSE, WITHOUT WRITTEN PERMISSION FROM OMNETICS CONNECTOR CORP.

DFTM. TLM	DATE
CHK'D.	11-01-12
APP'D.	DATE

TITLE:
**(15) PIN MALE
STRAIGHT BOARD MOUNT
MICRO-D CONNECTOR**

OMNETICS
CONNECTOR CORPORATION
7260 COMMERCE CIRCLE EAST
MINNEAPOLIS, MN 55432
WWW.OMNETICS.COM

CAGE CODE 61873
DWG NO. A98022-015
SHEET 1 OF 2
SCALE: 2:1
REV B

PART NO.	A98022-015	REV	ECO	DATE	APP
		B	104194	02-01-18	HV

MATERIALS

HOUSING:

ALUMINUM 6061, NICKEL PLATE
(500 MICRONS MINIMUM)
PER SAE-AMS-2404

INSULATOR:

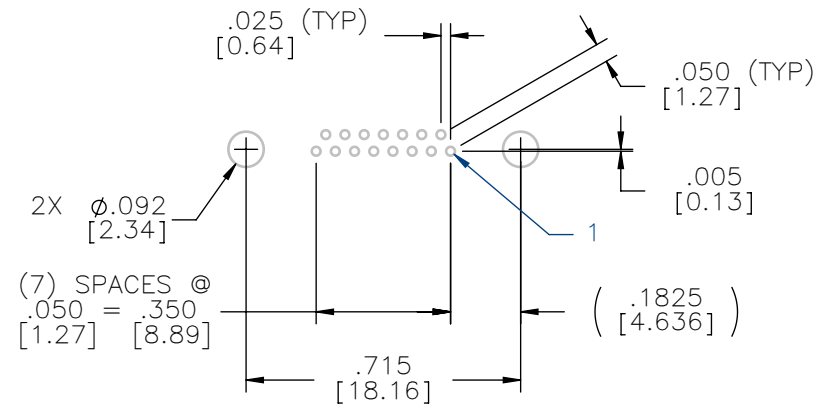
LIQUID CRYSTAL POLYMER
(LCP) PER ASTM D5138

CONTACT:

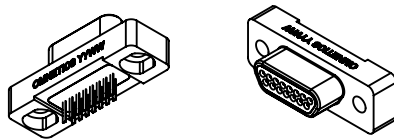
BERYLLIUM COPPER PER ASTM
B194, C17200, GOLD PLATED
PER ASTM B488, (HARD GOLD)
TYPE II CODE C, CLASS 1.27
(CONTACT MATING AREA ONLY)

TERMINATION:

SOLDER COATED WITH SN63A
PER J-STD-006 OR AMS-P-
81728



SUGGESTED HOLE PATTERN



ACTUAL SIZE

NOTE:

DIMENSIONS IN [] ARE IN MILLIMETERS UNLESS OTHERWISE NOTED AND ARE FOR REFERENCE ONLY

MMDP	THIRD ANGLE	THIS DRAWING CONTAINS CONFIDENTIAL AND PROPRIETARY INFORMATION WHICH IS THE PROPERTY OF OMNETICS CONNECTOR CORP. THIS DOCUMENT MAY NOT, IN WHOLE OR IN PART, BE DUPLICATED, OR DISCLOSED FOR ANY PURPOSE, WITHOUT WRITTEN PERMISSION FROM OMNETICS CONNECTOR CORP.		OMNETICS CONNECTOR CORPORATION 7260 COMMERCE CIRCLE EAST MINNEAPOLIS, MN 55432 WWW.OMNETICS.COM	CAGE CODE 61873		
	SLDW	—TOLERANCES— UNLESS OTHERWISE NOTED DIMENSIONS IN INCHES 2 PL DEC± .01 3 PL DEC± .005 4 PL DEC± .0005 ANGLES ± 1°	DFTM. TLM CHK'D. APP'D.		DATE 11-01-12 DATE DATE	TITLE: (15) PIN MALE STRAIGHT BOARD MOUNT MICRO-D CONNECTOR	DWG NO. A98022-015