

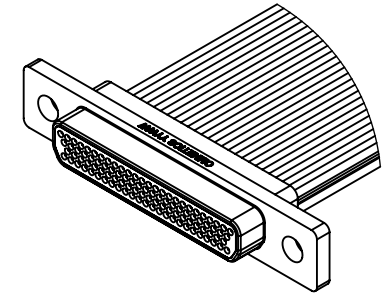
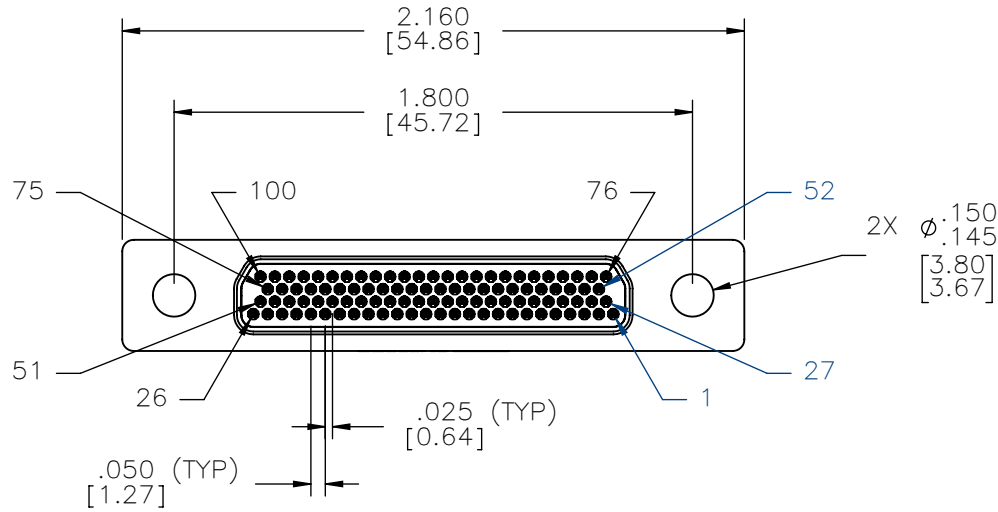
MATERIALS

HOUSING:
ALUMINUM 6061, NICKEL PLATE
(500 MICROINCHES MINIMUM)
PER SAE-AMS-2404

INSULATOR:
LIQUID CRYSTAL POLYMER (LCP)
PER ASTM D5138

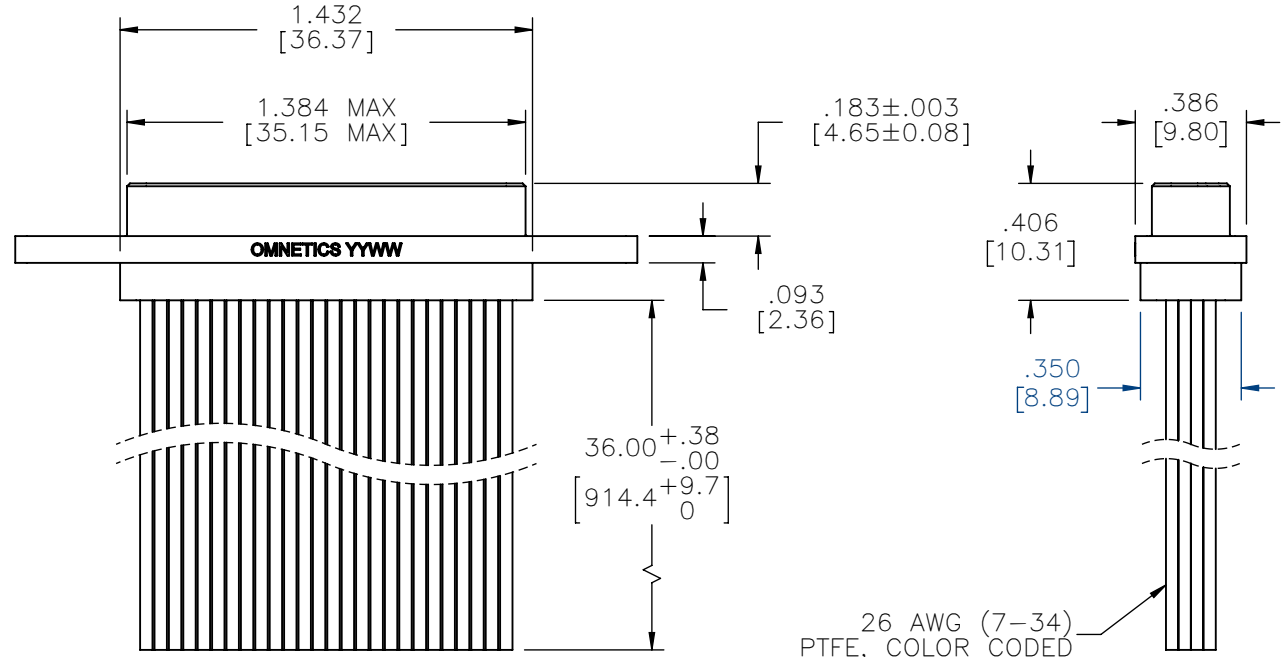
CONTACT:
BERYLLIUM COPPER PER ASTM
B194, C17200, GOLD PLATED
PER ASTM B488, (HARD GOLD)
TYPE II CODE C, CLASS 1.27

WIRE:
NEMA HP3 TYPE E, COLOR
CODED IAW MIL-STD-681,
SYSTEM 1, USING TEN SOLID
REPEATING COLORS



ACTUAL SIZE
EXCLUDING WIRE LENGTH

PIN #	COLOR
1, 11, 21, 31, 41, 51, 61, 71, 81, 91	BLACK
2, 12, 22, 32, 42, 52, 62, 72, 82, 92	BROWN
3, 13, 23, 33, 43, 53, 63, 73, 83, 93	RED
4, 14, 24, 34, 44, 54, 64, 74, 84, 94	ORANGE
5, 15, 25, 35, 45, 55, 65, 75, 85, 95	YELLOW
6, 16, 26, 36, 46, 56, 66, 76, 86, 96	GREEN
7, 17, 27, 37, 47, 57, 67, 77, 87, 97	BLUE
8, 18, 28, 38, 48, 58, 68, 78, 88, 98	VIOLET
9, 19, 29, 39, 49, 59, 69, 79, 89, 99	GRAY
10, 20, 30, 40, 50, 60, 70, 80, 90, 100	WHITE



26 AWG (7-34)
PTFE, COLOR CODED

INTERNAL USE ONLY
USE MFG LOADING
PROCEDURE MMDP-100



NOTES:
1. DIMENSIONS IN [] ARE IN MILLIMETERS UNLESS OTHERWISE NOTED AND ARE FOR REFERENCE ONLY

MMDP SLDW	THIRD ANGLE
	-TOLERANCES-
	UNLESS OTHERWISE NOTED
	DIMENSIONS IN INCHES
2 PL DEC± .01	
3 PL DEC± .005	
4 PL DEC± .0005	
ANGLES ± 1°	

THIS DRAWING CONTAINS CONFIDENTIAL AND PROPRIETARY INFORMATION WHICH IS THE PROPERTY OF OMNETICS CONNECTOR CORP. THIS DOCUMENT MAY NOT, IN WHOLE OR IN PART, BE DUPLICATED, OR DISCLOSED FOR ANY PURPOSE, WITHOUT WRITTEN PERMISSION FROM OMNETICS CONNECTOR CORP.

TITLE:
**(100) PIN MALE
MICRO-D CONNECTOR**

DFTM. JKB
DATE
04-01-21

OMNETICS
CONNECTOR CORPORATION
8840 EVERGREEN BLVD.
MINNEAPOLIS, MN 55433
WWW.OMNETICS.COM

DWG NO.	CAGE CODE	61873
		A98014-100
SHEET 1 OF 1	SCALE: 3:2	REV A