

MATERIALS

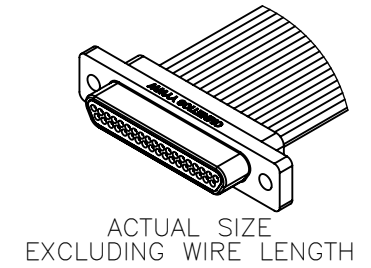
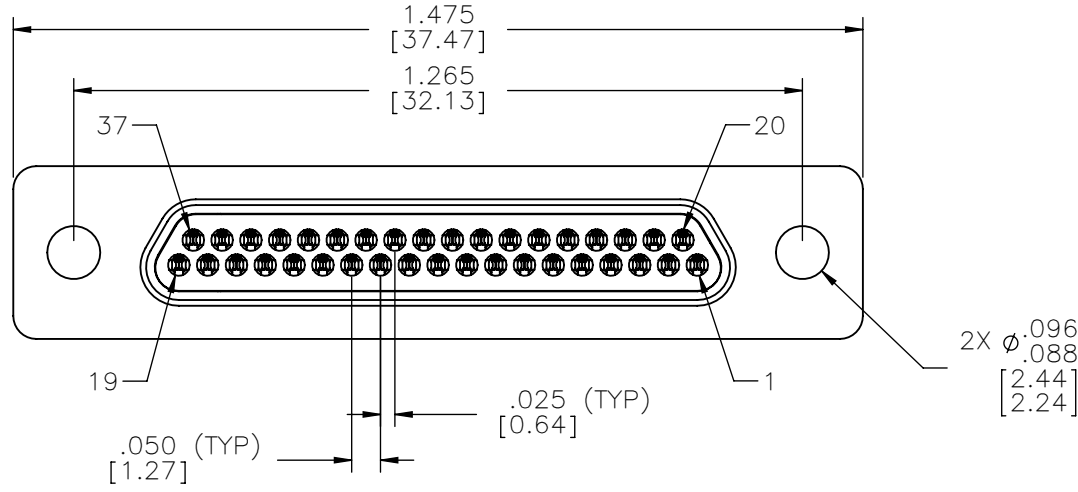
HOUSING:  
ALUMINUM 6061-T6, NICKEL  
PLATE PER SAE-AMS-2404

INSULATOR:  
LIQUID CRYSTAL POLYMER  
(LCP) PER ASTM D5138

CONTACT:  
BERYLLIUM COPPER PER  
ASTM B194, C17200, GOLD  
PLATED PER ASTM B488,  
(HARD GOLD) TYPE II CODE  
C, CLASS 1.27

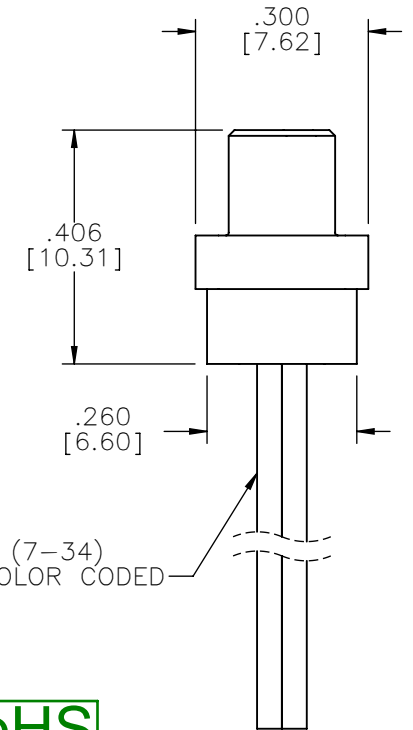
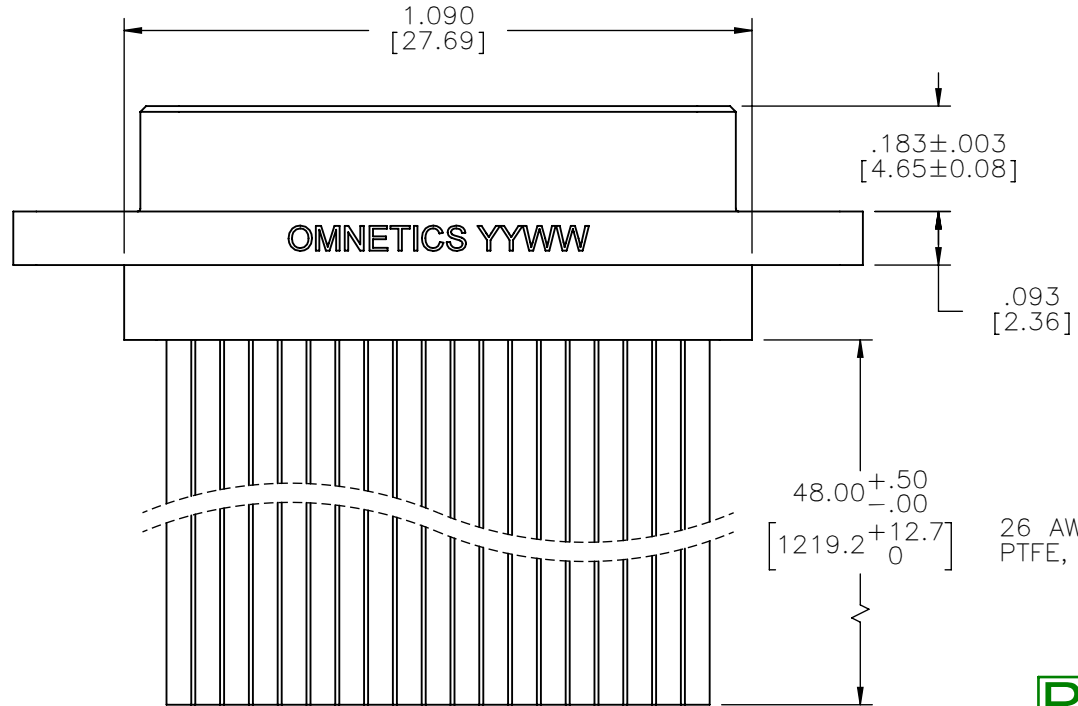
WIRE:  
NEMA HP3 TYPE E, COLOR  
CODED IAW MIL-STD-681,  
SYSTEM 1, USING TEN  
SOLID REPEATING COLORS

PART NO.	A98008-037	REV	ECO	DATE	APP
		A	103184	01-24-17	TLM



PIN #	COLOR
1, 11, 21, 31	BLACK
2, 12, 22, 32	BROWN
3, 13, 23, 33	RED
4, 14, 24, 34	ORANGE
5, 15, 25, 35	YELLOW
6, 16, 26, 36	GREEN
7, 17, 27, 37	BLUE
8, 18, 28	VIOLET
9, 19, 29	GRAY
10, 20, 30	WHITE

INTERNAL USE ONLY  
USE MFG LOADING  
PROCEDURE MMDP-037



**RoHS**

NOTE:

DIMENSIONS IN [ ] ARE IN  
MILLIMETERS UNLESS  
OTHERWISE NOTED AND ARE  
FOR REFERENCE ONLY

MMDP SLDW	THIRD ANGLE
	-TOLERANCES-
	UNLESS OTHERWISE NOTED
	DIMENSIONS IN INCHES
2	PL DEC±.01
3	PL DEC±.005
4	PL DEC±.0005
	ANGLES ± 1°

THIS DRAWING CONTAINS CONFIDENTIAL AND PROPRIETARY INFORMATION WHICH IS THE PROPERTY OF OMNETICS CONNECTOR CORP. THIS DOCUMENT MAY NOT, IN WHOLE OR IN PART, BE DUPLICATED, OR DISCLOSED FOR ANY PURPOSE, WITHOUT WRITTEN PERMISSION FROM OMNETICS CONNECTOR CORP.	
DFTM. DGJ	DATE 11-01-11
CHK'D.	DATE
APP'D.	DATE
TITLE: (37) PIN MALE MICRO-D CONNECTOR W/MTG HOLES	

**OMNETICS**  
CONNECTOR CORPORATION  
7260 COMMERCE CIRCLE EAST  
MINNEAPOLIS, MN 55432  
WWW.OMNETICS.COM

CAGE CODE 61873
DWG NO. A98008-037
SHEET 1 OF 1
SCALE: 3:1
REV A