

MATERIALS

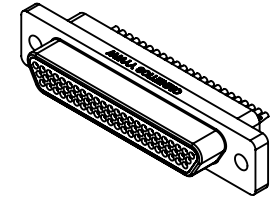
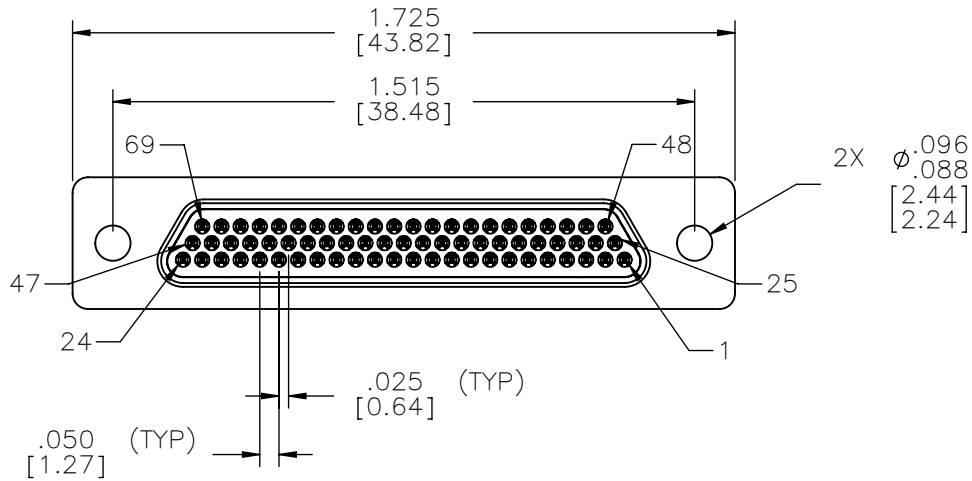
HOUSING:
ALUMINUM 6061-T6, NICKEL
PLATE PER SAE-AMS-2404

INSULATOR:
LIQUID CRYSTAL POLYMER
(LCP) PER ASTM D5138

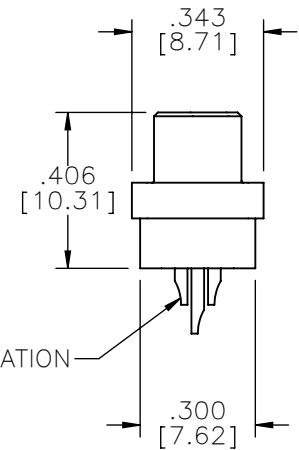
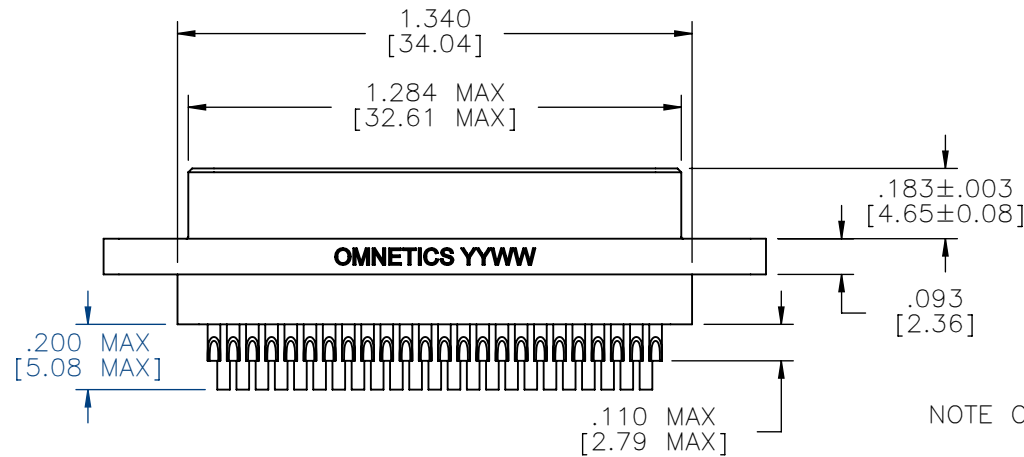
CONTACT/SOLDERCUP:
BERYLLIUM COPPER PER
ASTM B194, C17200, AND
COPPER ALLOY PER MIL-
DTL-83513, GOLD PLATED
PER ASTM B488, (HARD
GOLD) TYPE II CODE C,
CLASS 1.27

HARDWARE:
AVAILABLE UPON REQUEST

PART NO.	A98000-069	REV	ECO	DATE	APP
		A	102562	05-05-16	TLM



ACTUAL SIZE



NOTE ORIENTATION

RoHS

NOTE:

DIMENSIONS IN [] ARE IN
MILLIMETERS UNLESS
OTHERWISE NOTED AND ARE
FOR REFERENCE ONLY

MMDP SLDW	THIRD ANGLE	THIS DRAWING CONTAINS CONFIDENTIAL AND PROPRIETARY INFORMATION WHICH IS THE PROPERTY OF OMNETICS CONNECTOR CORP. THIS DOCUMENT MAY NOT, IN WHOLE OR IN PART, BE DUPLICATED, OR DISCLOSED FOR ANY PURPOSE, WITHOUT WRITTEN PERMISSION FROM OMNETICS CONNECTOR CORP.		OMNETICS CONNECTOR CORPORATION 7260 COMMERCE CIRCLE EAST MINNEAPOLIS, MN 55432 WWW.OMNETICS.COM	CAGE CODE 61873	
	-TOLERANCES-	DFTM. ERB	DATE		TITLE:	DWG NO.
	UNLESS OTHERWISE NOTED	CHK'D.	DATE		(69) PIN MALE	A98000-069
	DIMENSIONS IN INCHES	APP'D.	DATE		MICRO-D CONNECTOR	SHEET 1 OF 1
2 PL DEC ± .01				7260 COMMERCE CIRCLE EAST	REV	
3 PL DEC ± .005				MINNEAPOLIS, MN 55432	A	
4 PL DEC ± .0005				WWW.OMNETICS.COM		
ANGLES ± 1°					SCALE: 2:1	