

MATERIALS

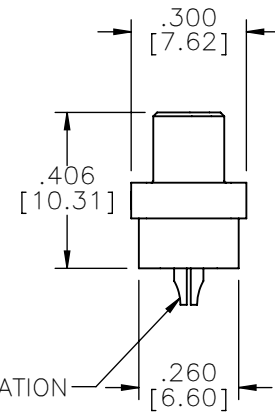
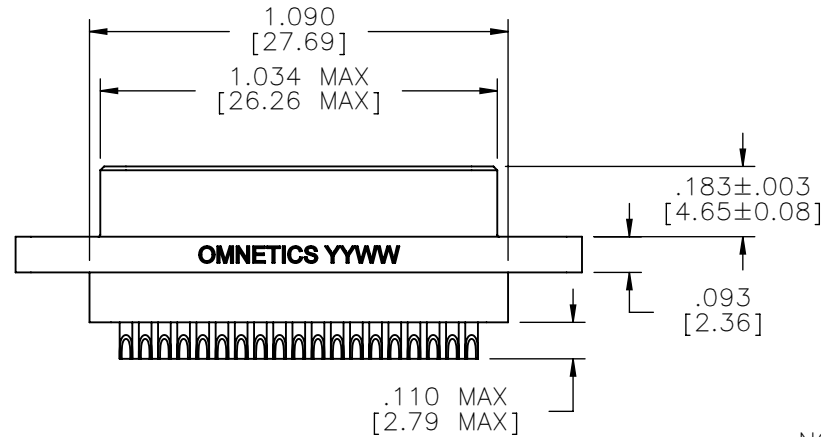
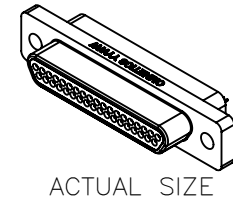
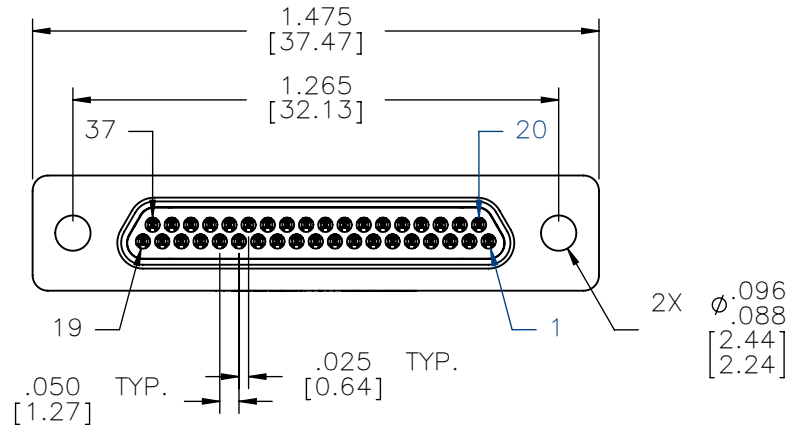
HOUSING:
ALUMINUM 6061-T6, NICKEL
PLATE PER AMS-C-26074

INSULATOR:
LIQUID CRYSTAL POLYMER
(LCP) PER ASTM D5138

CONTACT/SOLDERCUP:
BERYLLIUM COPPER PER
ASTM B194, C17200, AND
COPPER ALLOY PER MIL-
DTL-83513, GOLD PLATED
PER ASTM B488, (HARD
GOLD) TYPE II CODE C,
CLASS 1.27

HARDWARE:
AVAILABLE UPON REQUEST

PART NO.	A98000-037	REV	ECO	DATE	APP
		B	99310	02-27-13	JMJ



RoHS

NOTE:
DIMENSIONS IN [] ARE IN
MILLIMETERS UNLESS
OTHERWISE NOTED AND ARE
FOR REFERENCE ONLY

MMDP	THIRD ANGLE	THIS DRAWING CONTAINS CONFIDENTIAL AND PROPRIETARY INFORMATION WHICH IS THE PROPERTY OF OMNETICS CONNECTOR CORP. THIS DOCUMENT MAY NOT, IN WHOLE OR IN PART, BE DUPLICATED, OR DISCLOSED FOR ANY PURPOSE, WITHOUT WRITTEN PERMISSION FROM OMNETICS CONNECTOR CORP.	DATE 01-13-10	TITLE: (37) PIN MALE MICRO-D CONNECTOR	CAGE CODE 61873
	-TOLERANCES-				
SLDW	UNLESS OTHERWISE NOTED	DFTM. NJS	DATE		DWG NO. A98000-037
	DIMENSIONS IN INCHES	CHK'D.	DATE		SHEET 1 OF 1
	2 PL DEC ± .01	APP'D.	DATE		REV B
	3 PL DEC ± .005				SCALE: 2:1
	4 PL DEC ± .0005				
	ANGLES ± 1°				

OMNETICS
CONNECTOR CORPORATION
7260 COMMERCE CIRCLE EAST
MINNEAPOLIS, MN 55432
WWW.OMNETICS.COM