

PART NO.	A79630-001	REV	ECO	DATE	APP
		C	104485	05-21-18	TLM

MATERIALS & SPECIFICATIONS

INSULATOR  
THERMOPLASTIC PER ASTM  
D5138

CONTACT MATERIAL  
PINS - BERYLLIUM  
COPPER PER ASTM B194,  
ALLOY C17200  
SOCKET - COPPER ALLOY  
PER MIL-DTL-32139

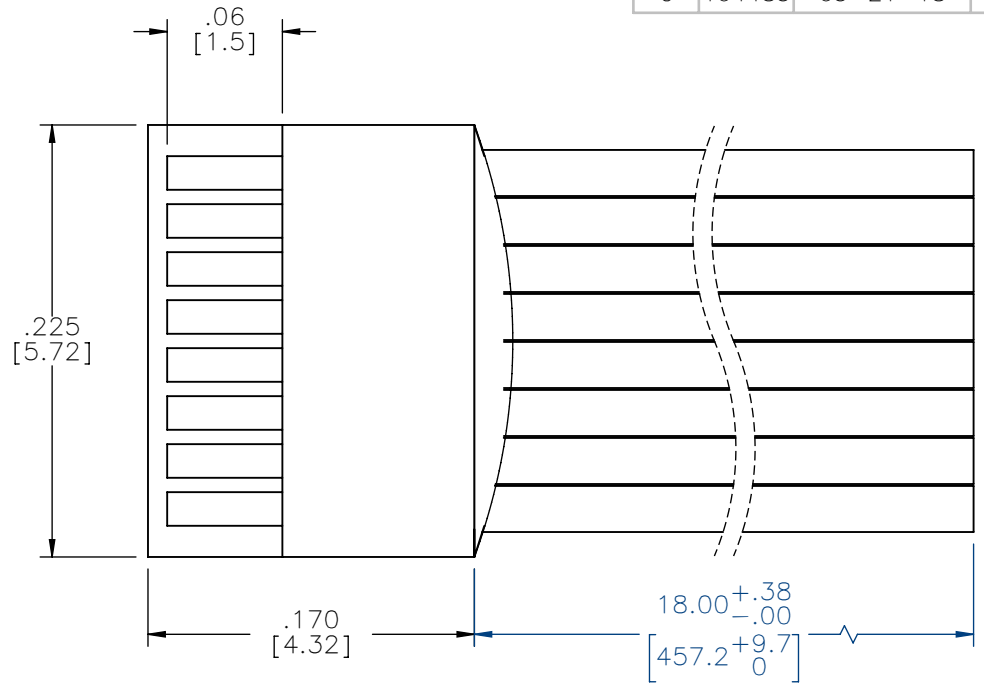
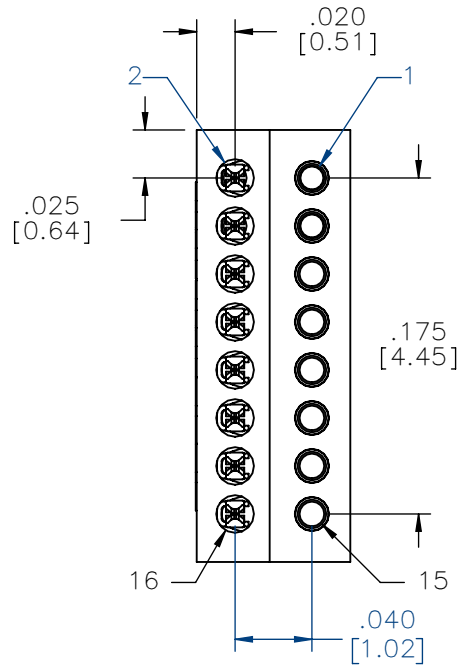
CONTACT FINISH  
GOLD PLATE PER ASTM  
B488, TYPE II (HARD  
GOLD), CODE C, CLASS  
1.27

WIRE  
32 AWG, 7 STRAND, TYPE  
ET PER NEMA HP3

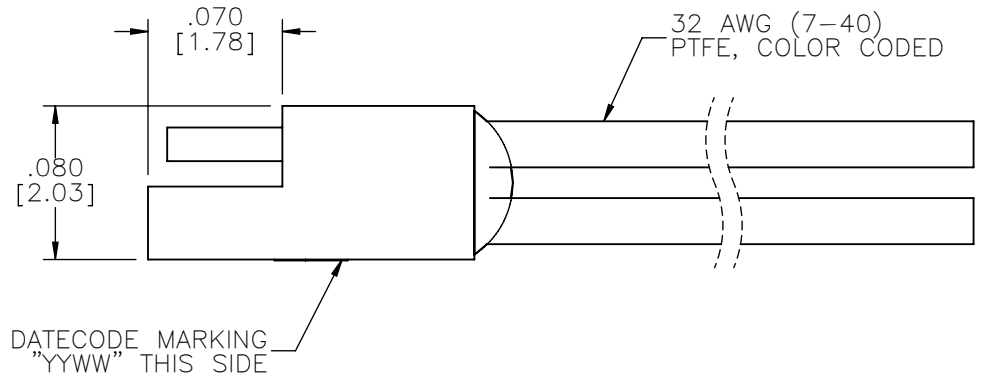
CURRENT RATING  
1 AMP MAX PER MIL-  
DTL-32139

CONTACT RESISTANCE  
71 MILLIOHM MAX (71mV  
DROP MAX) @ 1.0 AMPS  
PER MIL-DTL-32139

PERFORMANCE  
PRODUCT FAMILY TESTED  
TO AND PASSED THE  
PERFORMANCE  
SPECIFICATIONS OF TABLE  
VIII OF MIL-DTL-32139



CONTACT #	COLOR
1, 11	BLACK
2, 12	BROWN
3, 13	RED
4, 14	ORANGE
5, 15	YELLOW
6, 16	GREEN
7	BLUE
8	VIOLET
9	GRAY
10	WHITE



ACTUAL SIZE  
EXCLUDING WIRE  
LENGTH

INTERNAL USE ONLY  
SHEET 2 OF 2 IS  
MANUFACTURING  
LOADING DIAGRAM

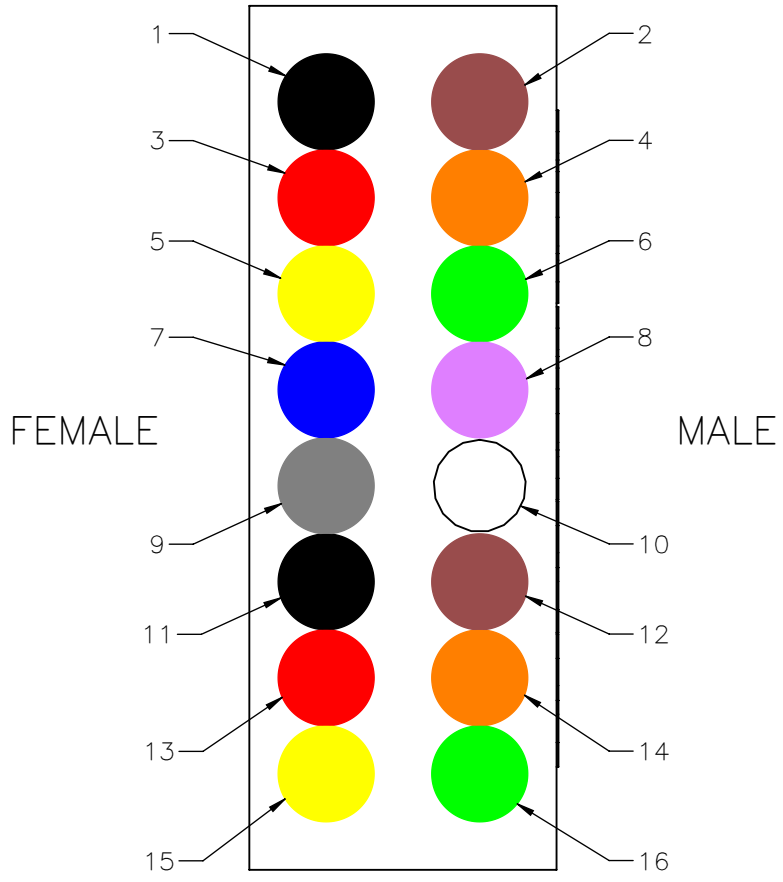
**RoHS**

NOTE:

DIMENSIONS IN [ ] ARE IN  
MILLIMETERS UNLESS  
OTHERWISE NOTED AND ARE  
FOR REFERENCE ONLY

PZN	THIRD ANGLE	THIS DRAWING CONTAINS CONFIDENTIAL AND PROPRIETARY INFORMATION WHICH IS THE PROPERTY OF OMNETICS CONNECTOR CORP. THIS DOCUMENT MAY NOT, IN WHOLE OR IN PART, BE DUPLICATED, OR DISCLOSED FOR ANY PURPOSE, WITHOUT WRITTEN PERMISSION FROM OMNETICS CONNECTOR CORP.	DATE 04-12-13	TITLE: (16) CONTACT POLARIZED MALE/FEMALE NANO CONNECTOR	CAGE CODE <b>61873</b>
	-TOLERANCES- UNLESS OTHERWISE NOTED				
SLDW	DIMENSIONS IN INCHES	DFTM. MJM	DATE		DWG NO. <b>A79630-001</b>
	2 PL DEC ± .01 3 PL DEC ± .005 4 PL DEC ± .0005 ANGLES ± 1°	CHK'D.	DATE		SHEET 1 OF 2
		APP'D.	DATE		REV C
<p><b>OMNETICS</b> CONNECTOR CORPORATION 7260 COMMERCE CIRCLE EAST MINNEAPOLIS, MN 55432 WWW.OMNETICS.COM</p>					SCALE: 10:1

PART NO.	A79630-001	REV	ECO	DATE	APP
		C	104485	05-21-18	TLM



CONTACT #	COLOR
1, 11	BLACK
2, 12	BROWN
3, 13	RED
4, 14	ORANGE
5, 15	YELLOW
6, 16	GREEN
7	BLUE
8	VIOLET
9	GRAY
10	WHITE

**RoHS**

PZN	THIRD ANGLE	THIS DRAWING CONTAINS CONFIDENTIAL AND PROPRIETARY INFORMATION WHICH IS THE PROPERTY OF OMNETICS CONNECTOR CORP. THIS DOCUMENT MAY NOT, IN WHOLE OR IN PART, BE DUPLICATED, OR DISCLOSED FOR ANY PURPOSE, WITHOUT WRITTEN PERMISSION FROM OMNETICS CONNECTOR CORP.	DATE 04-12-13	TITLE: (16) CONTACT POLARIZED MALE/FEMALE NANO CONNECTOR	CAGE CODE <b>61873</b>	DWG NO. <b>A79630-001</b>
	—TOLERANCES— UNLESS OTHERWISE NOTED DIMENSIONS IN INCHES					
SLDW	2 PL DEC ± .01	DFTM. JMJ	DATE		CONNECTOR CORPORATION 7260 COMMERCE CIRCLE EAST MINNEAPOLIS, MN 55432 WWW.OMNETICS.COM	SHEET 2 OF 2
	3 PL DEC ± .005	CHK'D.	DATE			
	4 PL DEC ± .0005	APP'D.	DATE		SCALE: 20:1	
	ANGLES ± 1°					