

MATERIALS & SPECIFICATIONS

INSULATOR  
THERMOPLASTIC PER ASTM  
D5138

CONTACT MATERIAL  
PINS - BERYLLIUM  
COPPER PER ASTM B194,  
ALLOY C17200

SOCKET - COPPER ALLOY  
PER MIL-DTL-32139

CONTACT FINISH  
GOLD PLATE PER ASTM  
B488, TYPE II (HARD  
GOLD), CODE C, CLASS  
1.27

WIRE  
32 AWG, 7 STRAND, TYPE  
ET PER NEMA HP3

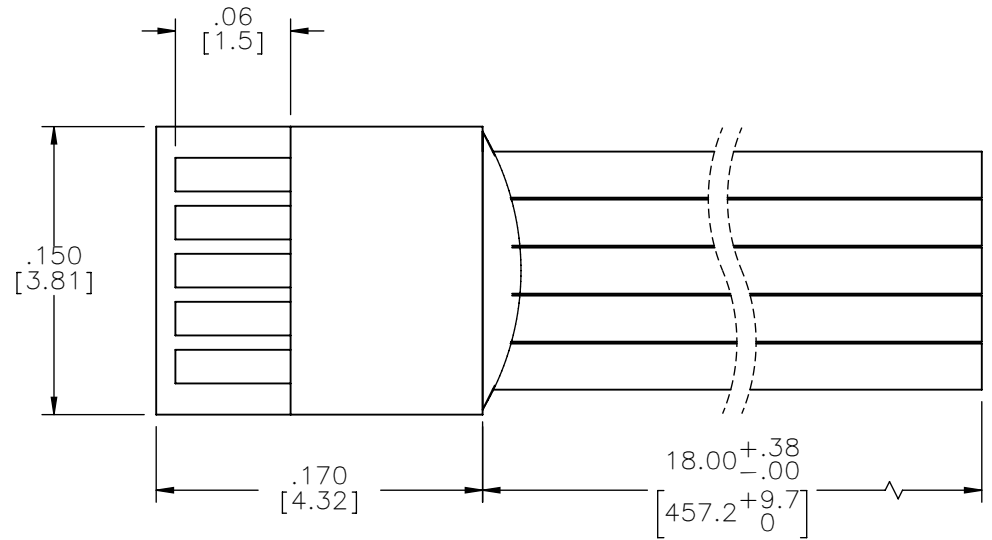
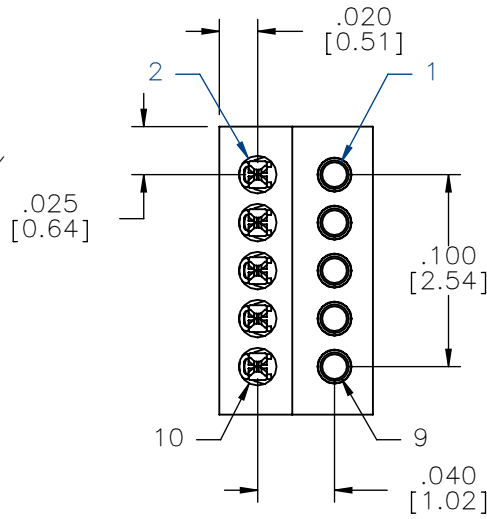
CURRENT RATING  
1 AMP MAX PER MIL-  
DTL-32139

CONTACT RESISTANCE  
71 MILLIOHM MAX (71mV  
DROP MAX) @ 1.0 AMPS  
PER MIL-DTL-32139

PERFORMANCE  
PRODUCT FAMILY TESTED  
TO AND PASSED THE  
PERFORMANCE  
SPECIFICATIONS OF TABLE  
VIII OF MIL-DTL-32139

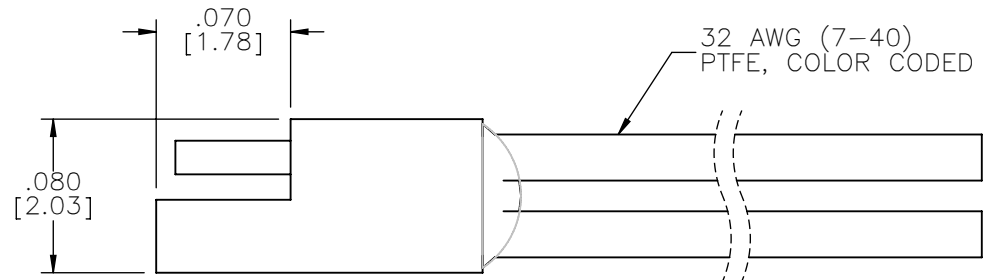


ACTUAL SIZE  
EXCLUDING  
WIRE LENGTH



CONTACT #	COLOR
1	BLACK
2	BROWN
3	RED
4	ORANGE
5	YELLOW
6	GREEN
7	BLUE
8	VIOLET
9	GRAY
10	WHITE

INTERNAL USE ONLY  
SHEET 2 OF 2 IS  
MANUFACTURING  
LOADING DIAGRAM



**RoHS**

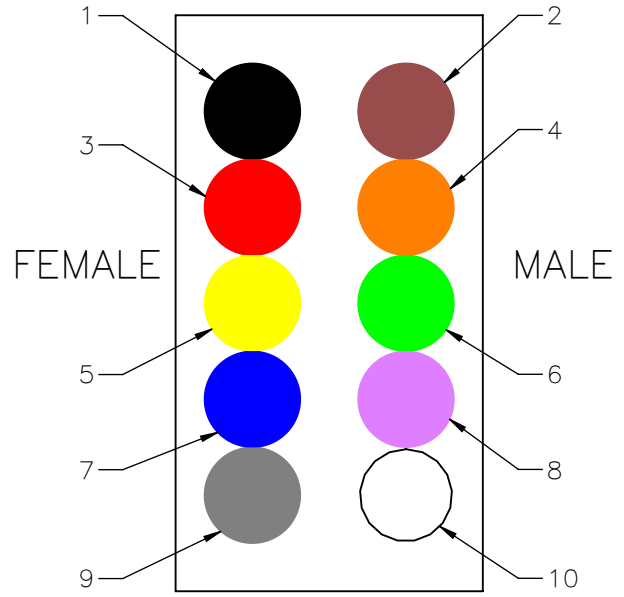
NOTE:

DIMENSIONS IN [ ] ARE IN  
MILLIMETERS UNLESS  
OTHERWISE NOTED AND ARE  
FOR REFERENCE ONLY

PZN	THIRD ANGLE	THIS DRAWING CONTAINS CONFIDENTIAL AND PROPRIETARY INFORMATION WHICH IS THE PROPERTY OF OMNETICS CONNECTOR CORP. THIS DOCUMENT MAY NOT, IN WHOLE OR IN PART, BE DUPLICATED, OR DISCLOSED FOR ANY PURPOSE, WITHOUT WRITTEN PERMISSION FROM OMNETICS CONNECTOR CORP.	DATE 08-24-09	TITLE: (10) CONTACT POLARIZED MALE/FEMALE NANO CONNECTOR	CAGE CODE <b>61873</b>
	-TOLERANCES- UNLESS OTHERWISE NOTED				
SLDW	DIMENSIONS IN INCHES	DFTM. NJS	DATE		DWG NO. <b>A79615-001</b>
	2 PL DEC ± .01 3 PL DEC ± .005 4 PL DEC ± .0005 ANGLES ± 1°	CHK'D.	DATE		SHEET 1 OF 2
		APP'D.	DATE		REV D
<p><b>OMNETICS</b> CONNECTOR CORPORATION 7260 COMMERCE CIRCLE EAST MINNEAPOLIS, MN 55432 WWW.OMNETICS.COM</p>					SCALE: 10:1

PART NO.	A79615-001	REV	ECO	DATE	APP
		D	104492	05-22-18	HV

PART NO.	A79615-001	REV	ECO	DATE	APP
		D	104492	05-22-18	HV



CONTACT #	COLOR
1	BLACK
2	BROWN
3	RED
4	ORANGE
5	YELLOW
6	GREEN
7	BLUE
8	VIOLET
9	GRAY
10	WHITE

**RoHS**

PZN SLDW	THIRD ANGLE	THIS DRAWING CONTAINS CONFIDENTIAL AND PROPRIETARY INFORMATION WHICH IS THE PROPERTY OF OMNETICS CONNECTOR CORP. THIS DOCUMENT MAY NOT, IN WHOLE OR IN PART, BE DUPLICATED, OR DISCLOSED FOR ANY PURPOSE, WITHOUT WRITTEN PERMISSION FROM OMNETICS CONNECTOR CORP.		<b>OMNETICS</b> CONNECTOR CORPORATION 7260 COMMERCE CIRCLE EAST MINNEAPOLIS, MN 55432 WWW.OMNETICS.COM	CAGE CODE <b>61873</b>		
	—TOLERANCES— UNLESS OTHERWISE NOTED	DFTM. NJS	DATE 08-24-09		TITLE:	DWG NO. <b>A79615-001</b>	
	DIMENSIONS IN INCHES	CHK'D.	DATE		(10) CONTACT POLARIZED MALE/FEMALE	SHEET 2 OF 2	
	2 PL DEC ± .01 3 PL DEC ± .005 4 PL DEC ± .0005 ANGLES ± 1°	APP'D.	DATE		NANO CONNECTOR	SCALE: 20:1	REV D