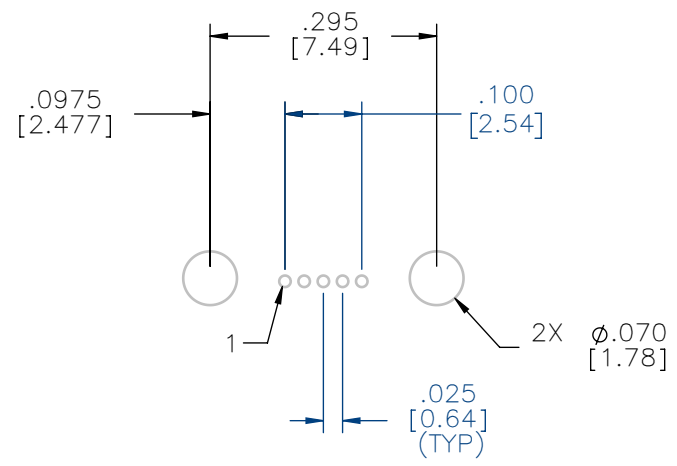
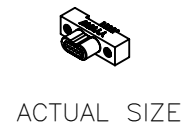
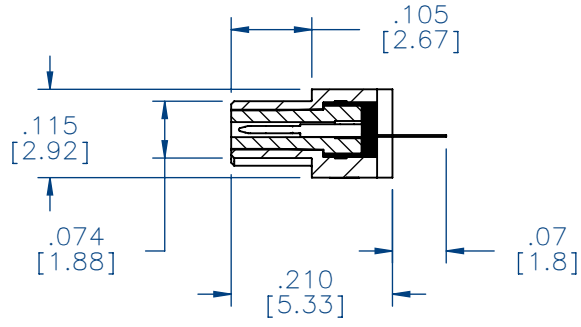
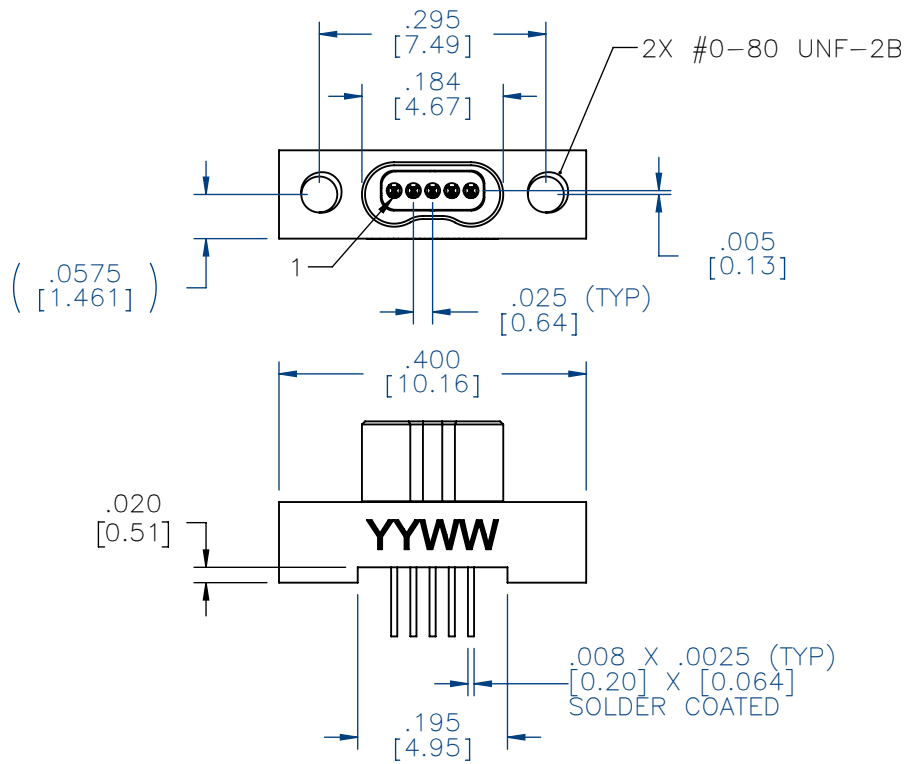


PART NO.	A50021-005	REV	ECO	DATE	APP
		A	101818	08-11-15	TLM



MATERIALS & SPECIFICATIONS

- HOUSING: ALUMINUM 6061-T6, NICKEL PLATE PER SAE-AMS-2404
- INSULATOR: LIQUID CRYSTAL POLYMER (LCP) PER ASTM 5138
- CONTACT: BERYLLIUM COPPER PER ASTM B194, C17200. GOLD PLATED PER ASTM B488, (HARD GOLD) TYPE II CODE C, CLASS 1.27
- TERMINATION: SOLDER COATED WITH SN63A PER J-STD-006 OR SOLDER PLATE PER AMS-P-81728
- CURRENT RATING: 1 AMP MAX PER MIL-DTL-32139
- CONTACT RESISTANCE: 71 MILLIOHM MAX
- PERFORMANCE: PRODUCT FAMILY TESTED TO AND PASSED THE PERFORMANCE SPECIFICATIONS OF TABLE VIII OF MIL-DTL-32139

NOTE:
DIMENSIONS IN [] ARE IN MILLIMETERS UNLESS OTHERWISE NOTED AND ARE FOR REFERENCE ONLY

MBS	THIRD ANGLE
	-TOLERANCES- UNLESS OTHERWISE NOTED
SLDW	DIMENSIONS IN INCHES
	2 PL DEC ± .01
	3 PL DEC ± .005
	4 PL DEC ± .0005
	ANGLES ± 1°

THIS DRAWING CONTAINS CONFIDENTIAL AND PROPRIETARY INFORMATION WHICH IS THE PROPERTY OF OMNETICS CONNECTOR CORP. THIS DOCUMENT MAY NOT, IN WHOLE OR IN PART, BE DUPLICATED, OR DISCLOSED FOR ANY PURPOSE, WITHOUT WRITTEN PERMISSION FROM OMNETICS CONNECTOR CORP.	
DFTM. TLM	DATE 07-27-15
CHK'D.	DATE
APP'D.	DATE
TITLE: (5) PIN MALE Bi-Lobe® CONNECTOR	

OMNETICS
CONNECTOR CORPORATION
7260 COMMERCE CIRCLE EAST
MINNEAPOLIS, MN 55432
WWW.OMNETICS.COM

CAGE CODE 61873
DWG NO. A50021-005
SHEET 1 OF 1
SCALE: 4:1
REV A