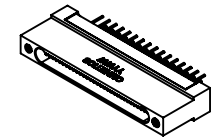
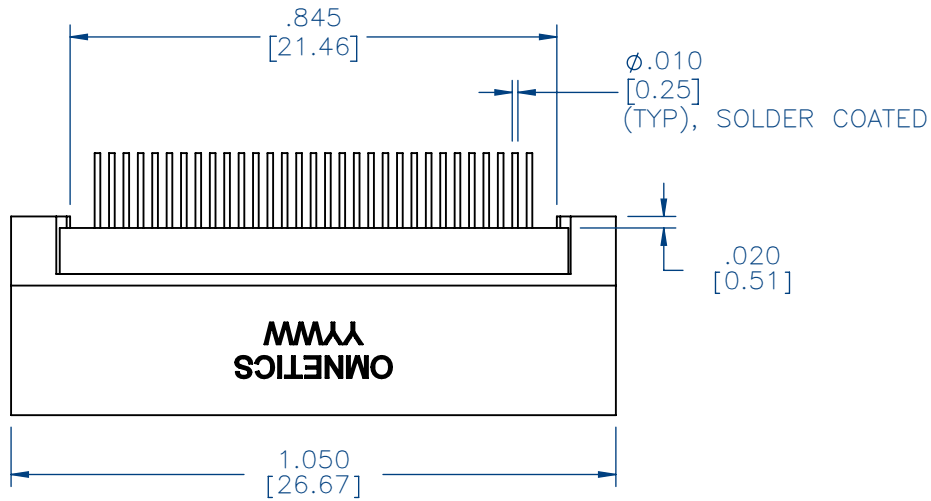
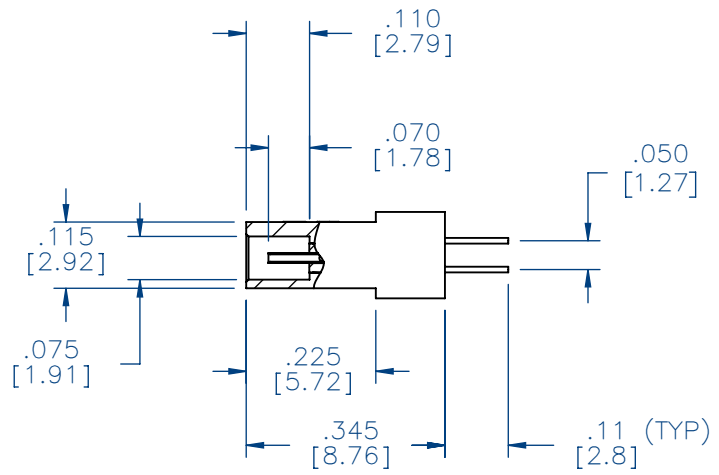
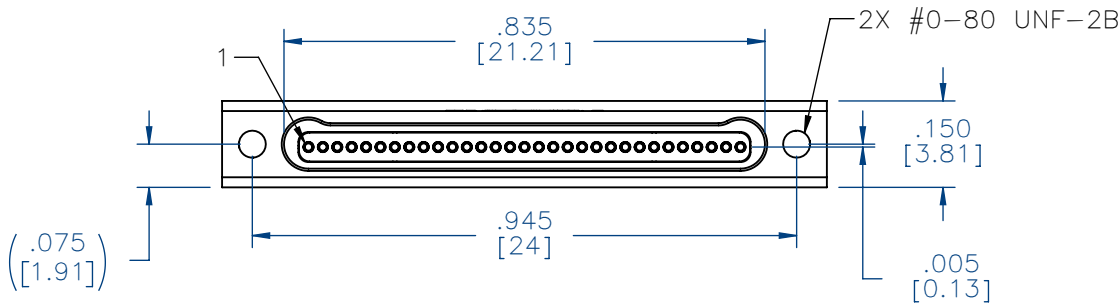


PART NO.	A50020-031	REV	ECO	DATE	APP
		C	100773	08-02-14	TLM



ACTUAL SIZE



NOTE:  
DIMENSIONS IN [ ] ARE IN MILLIMETERS UNLESS OTHERWISE NOTED AND ARE FOR REFERENCE ONLY

MBSS SLDW	THIRD ANGLE
	- TOLERANCES - UNLESS OTHERWISE NOTED
	DIMENSIONS IN INCHES
	2 PL DEC ± .01 3 PL DEC ± .005 4 PL DEC ± .0005 ANGLES ± 1°

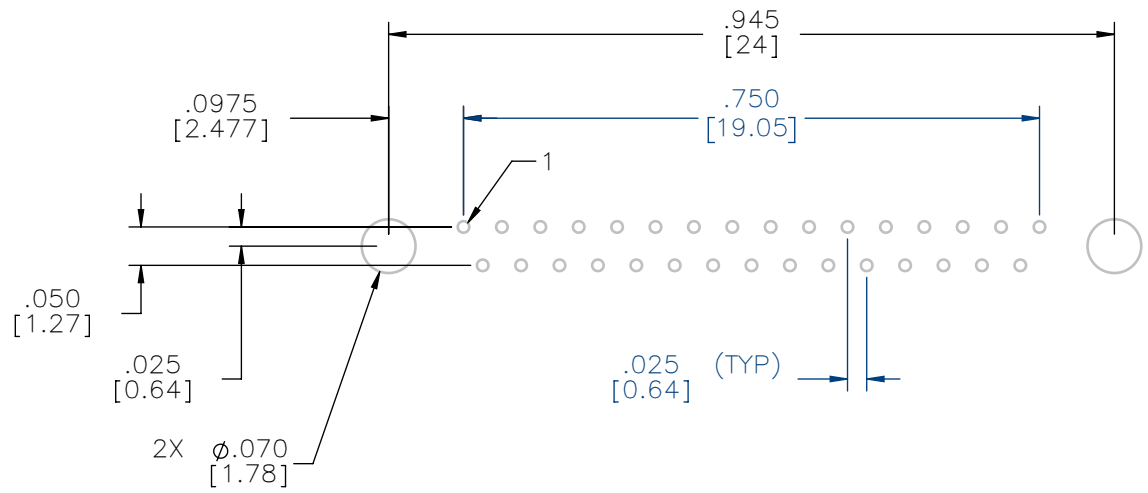
THIS DRAWING CONTAINS CONFIDENTIAL AND PROPRIETARY INFORMATION WHICH IS THE PROPERTY OF OMNETICS CONNECTOR CORP. THIS DOCUMENT MAY NOT, IN WHOLE OR IN PART, BE DUPLICATED, OR DISCLOSED FOR ANY PURPOSE, WITHOUT WRITTEN PERMISSION FROM OMNETICS CONNECTOR CORP.	
DFTM. GMH	DATE 03-06-14
CHK'D.	DATE
APP'D.	DATE

TITLE:  
(31) SOCKET FEMALE  
BI-LOBE CONNECTOR

**OMNETICS**  
CONNECTOR CORPORATION  
7260 COMMERCE CIRCLE EAST  
MINNEAPOLIS, MN 55432  
WWW.OMNETICS.COM

CAGE CODE 61873
DWG NO. A50020-031
SHEET 1 OF 2
SCALE: 3:1
REV C

PART NO.	A50020-031	REV	ECO	DATE	APP
		C	100773	08-02-14	TLM



SUGGESTED HOLE PATTERN

MATERIALS & SPECIFICATIONS

HOUSING: ALUMINUM 6061-T6, NICKEL PLATE PER SAE-AMS-2404

INSULATOR: LIQUID CRYSTAL POLYMER (LCP) PER ASTM 5138

CONTACT: COPPER ALLOY PER MIL-DTL-32139. GOLD PLATED PER ASTM B488, (HARD GOLD) TYPE II CODE C, CLASS 1.27

TERMINATION: SOLDER COATED WITH SN63A PER J-STD-006

CURRENT RATING: 1 AMP MAX PER MIL-DTL-32139

CONTACT RESISTANCE: 71 MILLIOHM MAX

PERFORMANCE: PRODUCT FAMILY TESTED TO AND PASSED THE PERFORMANCE SPECIFICATIONS OF TABLE VIII OF MIL-DTL-32139

NOTE:

DIMENSIONS IN [ ] ARE IN MILLIMETERS UNLESS OTHERWISE NOTED AND ARE FOR REFERENCE ONLY

MBS SLDW	THIRD ANGLE	THIS DRAWING CONTAINS CONFIDENTIAL AND PROPRIETARY INFORMATION WHICH IS THE PROPERTY OF OMNETICS CONNECTOR CORP. THIS DOCUMENT MAY NOT, IN WHOLE OR IN PART, BE DUPLICATED, OR DISCLOSED FOR ANY PURPOSE, WITHOUT WRITTEN PERMISSION FROM OMNETICS CONNECTOR CORP.		 <b>OMNETICS</b> CONNECTOR CORPORATION 7260 COMMERCE CIRCLE EAST MINNEAPOLIS, MN 55432 WWW.OMNETICS.COM	CAGE CODE <b>61873</b>	
	- TOLERANCES - UNLESS OTHERWISE NOTED DIMENSIONS IN INCHES	DFTM. GMH	DATE 03-06-14		TITLE:	DWG NO.
	2 PL DEC ± .01 3 PL DEC ± .005 4 PL DEC ± .0005 ANGLES ± 1°	CHK'D.	DATE	(31) SOCKET FEMALE BI-LOBE CONNECTOR	SHEET 2 OF 2	REV
		APP'D.	DATE	-	SCALE: 4:1	C