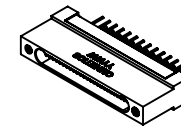
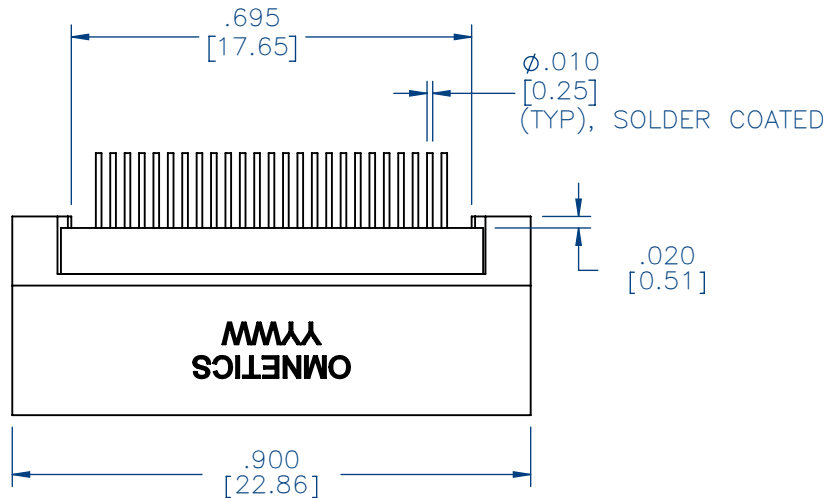
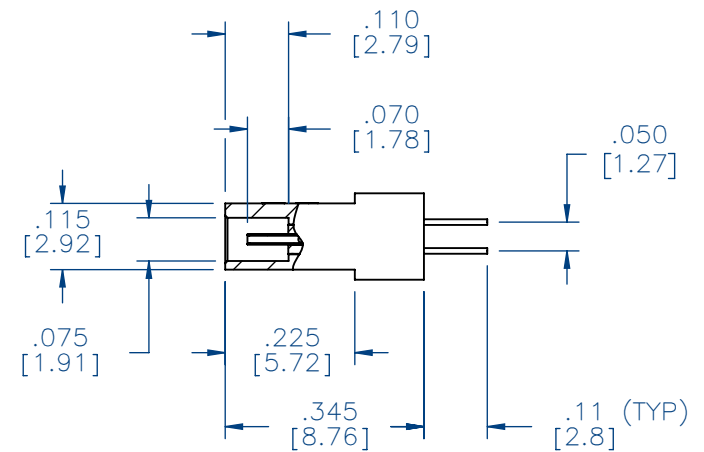
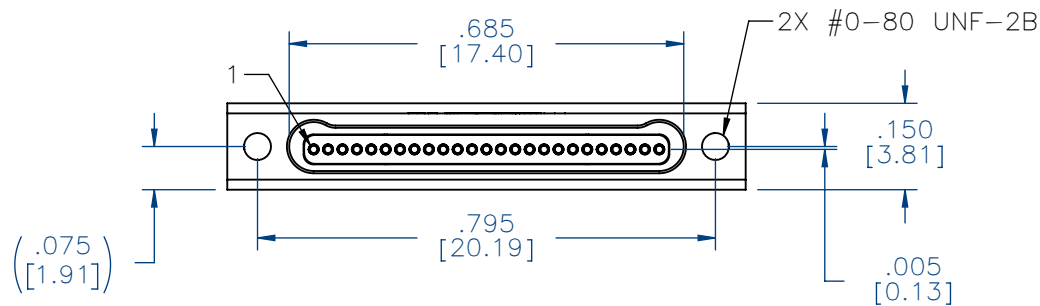


PART NO.	A50020-025	REV	ECO	DATE	APP
		B	100773	08-02-14	TLM



ACTUAL SIZE



NOTE:

DIMENSIONS IN [] ARE IN MILLIMETERS UNLESS OTHERWISE NOTED AND ARE FOR REFERENCE ONLY

MBS SLDW	THIRD ANGLE
	- TOLERANCES - UNLESS OTHERWISE NOTED
	DIMENSIONS IN INCHES
	2 PL DEC ± .01 3 PL DEC ± .005 4 PL DEC ± .0005 ANGLES ± 1°

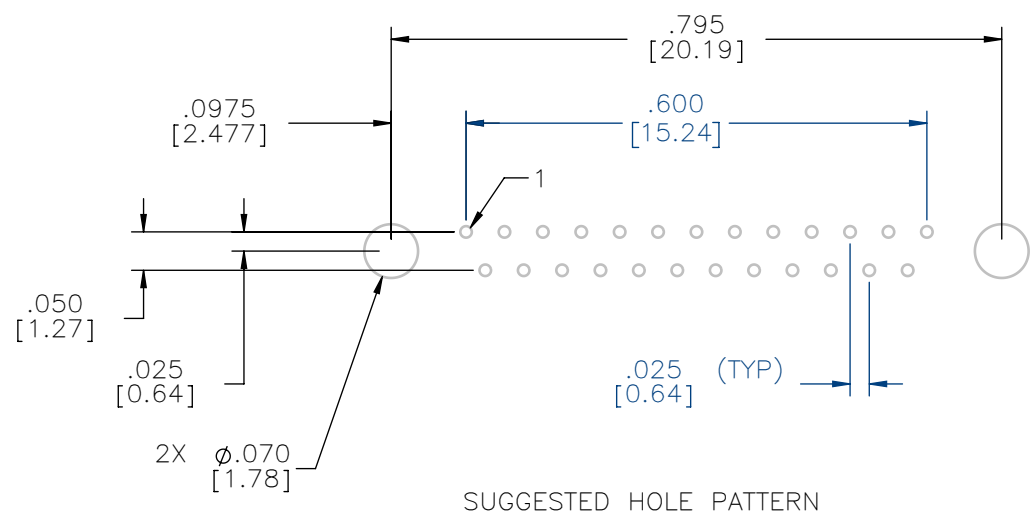
THIS DRAWING CONTAINS CONFIDENTIAL AND PROPRIETARY INFORMATION WHICH IS THE PROPERTY OF OMNETICS CONNECTOR CORP. THIS DOCUMENT MAY NOT, IN WHOLE OR IN PART, BE DUPLICATED, OR DISCLOSED FOR ANY PURPOSE, WITHOUT WRITTEN PERMISSION FROM OMNETICS CONNECTOR CORP.	
DFTM. GMH	DATE 03-06-14
CHK'D.	DATE
APP'D.	DATE

TITLE:
(25) SOCKET FEMALE
BI-LOBE CONNECTOR

OMNETICS
CONNECTOR CORPORATION
7260 COMMERCE CIRCLE EAST
MINNEAPOLIS, MN 55432
WWW.OMNETICS.COM

CAGE CODE 61873
DWG NO. A50020-025
SHEET 1 OF 2
SCALE: 3:1
REV B

PART NO.	A50020-025	REV	ECO	DATE	APP
		B	100773	08-02-14	TLM



MATERIALS & SPECIFICATIONS

- HOUSING: ALUMINUM 6061-T6, NICKEL PLATE PER SAE-AMS-2404
- INSULATOR: LIQUID CRYSTAL POLYMER (LCP) PER ASTM 5138
- CONTACT: COPPER ALLOY PER MIL-DTL-32139. GOLD PLATED PER ASTM B488, (HARD GOLD) TYPE II CODE C, CLASS 1.27
- TERMINATION: SOLDER COATED WITH SN63A PER J-STD-006
- CURRENT RATING: 1 AMP MAX PER MIL-DTL-32139
- CONTACT RESISTANCE: 71 MILLIOHM MAX
- PERFORMANCE: PRODUCT FAMILY TESTED TO AND PASSED THE PERFORMANCE SPECIFICATIONS OF TABLE VIII OF MIL-DTL-32139

NOTE:
 DIMENSIONS IN [] ARE IN MILLIMETERS UNLESS OTHERWISE NOTED AND ARE FOR REFERENCE ONLY

MBS	THIRD ANGLE	THIS DRAWING CONTAINS CONFIDENTIAL AND PROPRIETARY INFORMATION WHICH IS THE PROPERTY OF OMNETICS CONNECTOR CORP. THIS DOCUMENT MAY NOT, IN WHOLE OR IN PART, BE DUPLICATED, OR DISCLOSED FOR ANY PURPOSE, WITHOUT WRITTEN PERMISSION FROM OMNETICS CONNECTOR CORP.		 7260 COMMERCE CIRCLE EAST MINNEAPOLIS, MN 55432 WWW.OMNETICS.COM	CAGE CODE 61873	
	UNLESS OTHERWISE NOTED DIMENSIONS IN INCHES	DFTM. GMH	DATE 03-06-14		TITLE: (25) SOCKET FEMALE BI-LOBE CONNECTOR	DWG NO. A50020-025
SLDW	2 PL DEC ± .01 3 PL DEC ± .005 4 PL DEC ± .0005 ANGLES ± 1°	CHK'D.	DATE		SHEET 2 OF 2	SCALE: 4:1
		APP'D.	DATE			