

MATERIALS & SPECIFICATIONS

PART NO.	A50019-025	REV	ECO	DATE	APP
		E	109986	05-25-23	TLM

HOUSING:
ALUMINUM 6061,
NICKEL PLATED (500
MICROINCHES MINIMUM)
PER SAE-AMS-2404.

INSULATOR:
LIQUID CRYSTAL
POLYMER (LCP) PER
ASTM 5138

CONTACT:
BERYLLIUM COPPER
PER ASTM B194,
C17200, GOLD PLATED
PER ASTM B488, (HARD
GOLD) TYPE II CODE C,
CLASS 1.27

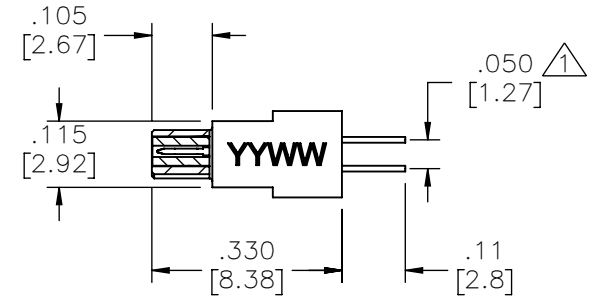
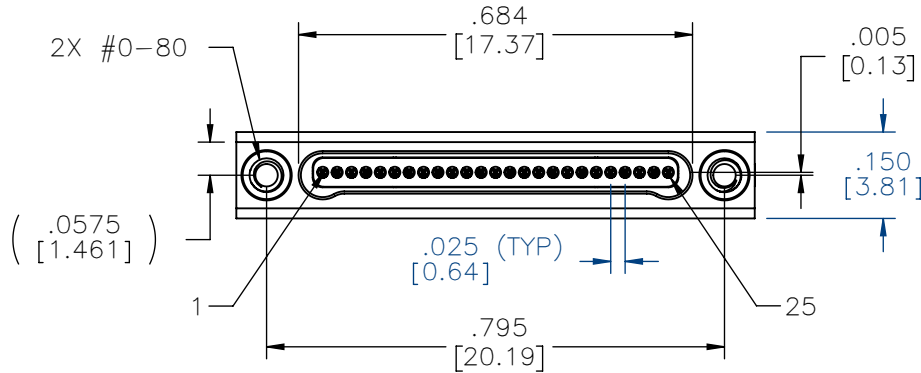
TERMINATION:
SOLDER COATED WITH
SN63A PER J-STD-006
OR AMS-P-81728

HARDWARE:
303 STAINLESS STEEL
PER ASTM A582

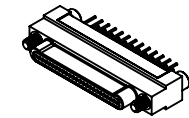
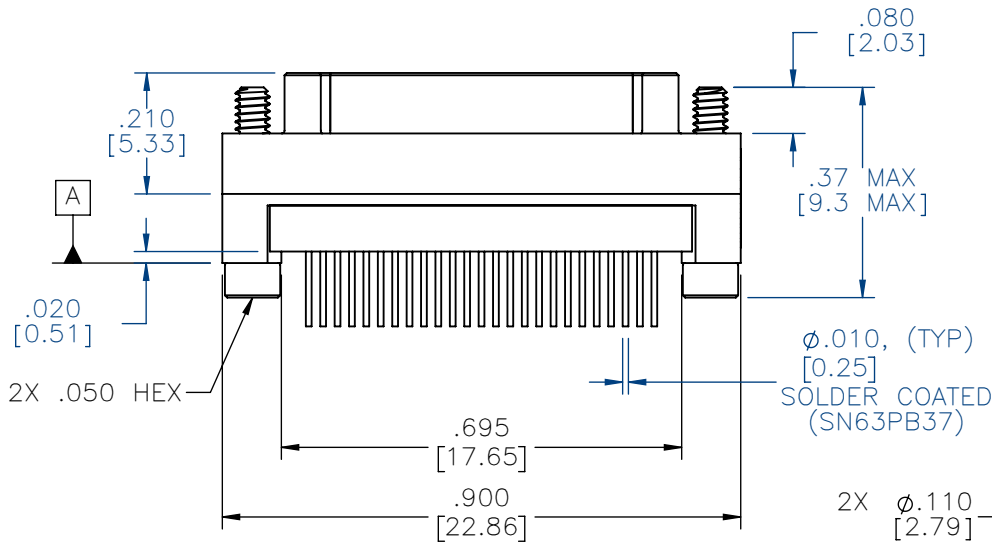
CURRENT RATING:
1 AMP MAX PER MIL-
DTL-32139

CONTACT RESISTANCE:
71 MILLIOHM MAX
(71mV DROP MAX) @
1.0 AMPS PER MIL-
DTL-32139

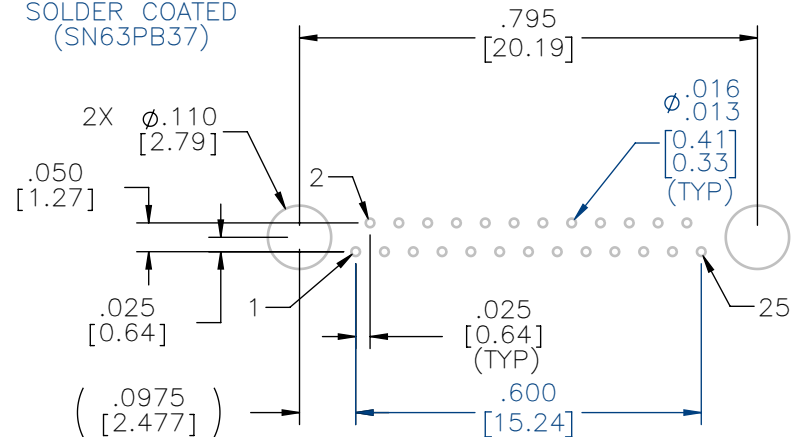
PERFORMANCE:
PRODUCT FAMILY
TESTED TO AND PASSED
THE PERFORMANCE
SPECIFICATIONS OF
TABLE VIII OF MIL-DTL-
32139.



VIEW LESS HARDWARE



ACTUAL SIZE



SUGGESTED HOLE PATTERN

NOTES:
1. TAIL DIMENSIONS APPLY AT PLANE [A].

2. DIMENSIONS IN [] ARE IN MILLIMETERS UNLESS OTHERWISE NOTED AND ARE FOR REFERENCE ONLY.

MBPS SLDWS	THIRD ANGLE	THIS DRAWING CONTAINS CONFIDENTIAL AND PROPRIETARY INFORMATION WHICH IS THE PROPERTY OF OMNETICS CONNECTOR CORP. THIS DOCUMENT MAY NOT, IN WHOLE OR IN PART, BE DUPLICATED, OR DISCLOSED FOR ANY PURPOSE, WITHOUT WRITTEN PERMISSION FROM OMNETICS CONNECTOR CORP.
	-TOLERANCES-	
	UNLESS OTHERWISE NOTED	
	DIMENSIONS IN INCHES	
2	PL DEC ± .01	TITLE: (25) PIN MALE SINGLE ROW BI-LOBE® CONNECTOR
3	PL DEC ± .005	
4	PL DEC ± .0005	
	ANGLES ± 1°	DFTM. JMJ
		DATE 10-11-13

OMNETICS
CONNECTOR CORPORATION
8840 EVERGREEN BLVD.
MINNEAPOLIS, MN 55433
WWW.OMNETICS.COM

DWG NO.	CAGE CODE 61873
A50019-025	
SHEET 1 OF 1	SCALE: 3:1
REV E	