

MATERIALS & SPECIFICATIONS

PART NO.	A50019-021	REV	ECO	DATE	APP
		E	109986	05-25-23	TLM

HOUSING:
ALUMINUM 6061, NICKEL PLATED (500 MICROINCHES MINIMUM) PER SAE-AMS-2404.

INSULATOR:
LIQUID CRYSTAL POLYMER (LCP) PER ASTM 5138

CONTACT:
BERYLLIUM COPPER PER ASTM B194, C17200, GOLD PLATED PER ASTM B488, (HARD GOLD) TYPE II CODE C, CLASS 1.27

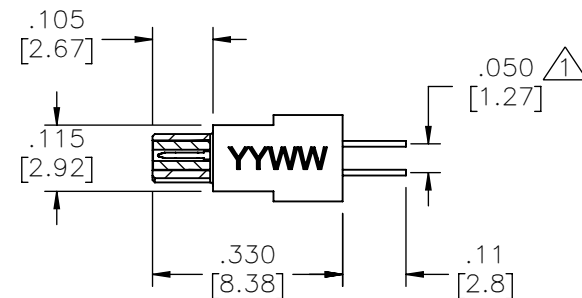
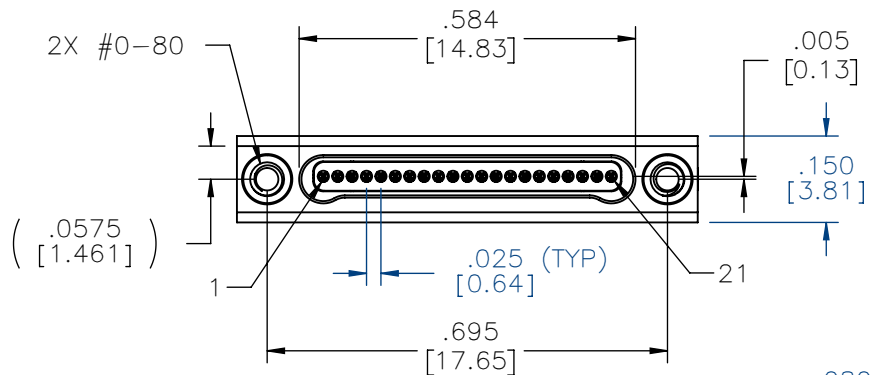
TERMINATION:
SOLDER COATED WITH SN63A PER J-STD-006 OR AMS-P-81728

HARDWARE:
303 STAINLESS STEEL PER ASTM A582

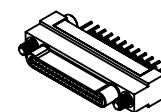
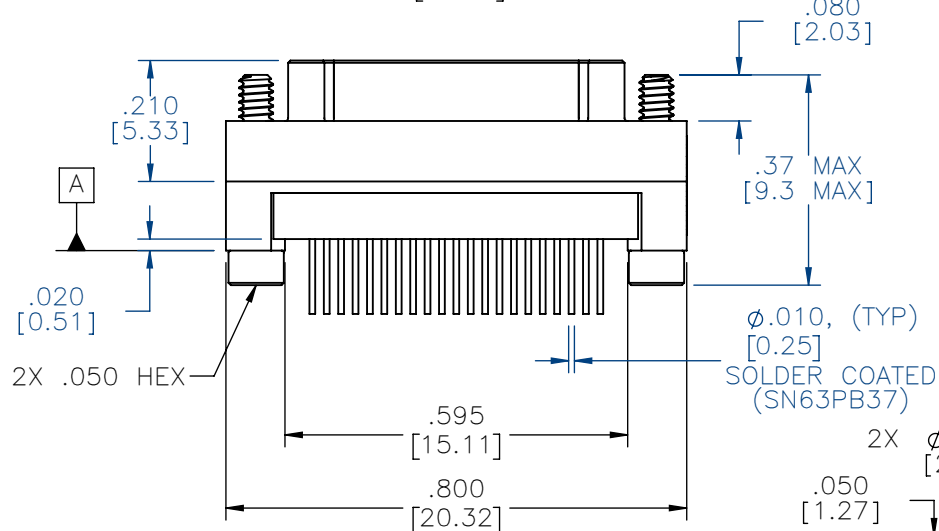
CURRENT RATING:
1 AMP MAX PER MIL-DTL-32139

CONTACT RESISTANCE:
71 MILLIOHM MAX (71mV DROP MAX) @ 1.0 AMPS PER MIL-DTL-32139

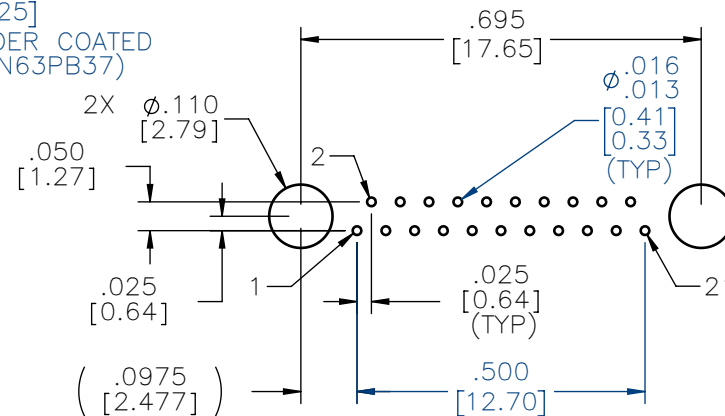
PERFORMANCE:
PRODUCT FAMILY TESTED TO AND PASSED THE PERFORMANCE SPECIFICATIONS OF TABLE VIII OF MIL-DTL-32139.



VIEW LESS HARDWARE



ACTUAL SIZE



SUGGESTED HOLE PATTERN

- NOTES:**
1. TAIL DIMENSIONS APPLY AT PLANE A.
 2. DIMENSIONS IN [] ARE IN MILLIMETERS UNLESS OTHERWISE NOTED AND ARE FOR REFERENCE ONLY

MBPS	THIRD ANGLE	THIS DRAWING CONTAINS CONFIDENTIAL AND PROPRIETARY INFORMATION WHICH IS THE PROPERTY OF OMNETICS CONNECTOR CORP. THIS DOCUMENT MAY NOT, IN WHOLE OR IN PART, BE DUPLICATED, OR DISCLOSED FOR ANY PURPOSE, WITHOUT WRITTEN PERMISSION FROM OMNETICS CONNECTOR CORP.
	-TOLERANCES-	
SLDW	UNLESS OTHERWISE NOTED	TITLE: (21) PIN MALE SINGLE ROW BI-LOBE® CONNECTOR
	DIMENSIONS IN INCHES	
	2 PL DEC ± .01	
	3 PL DEC ± .005	
	4 PL DEC ± .0005	DFTM. JMJ
	ANGLES ± 1°	DATE 10-11-13

OMNETICS
CONNECTOR CORPORATION
8840 EVERGREEN BLVD.
MINNEAPOLIS, MN 55433
WWW.OMNETICS.COM

DWG NO.	CAGE CODE 61873
A50019-021	
SHEET 1 OF 1	SCALE: 3:1
REV E	