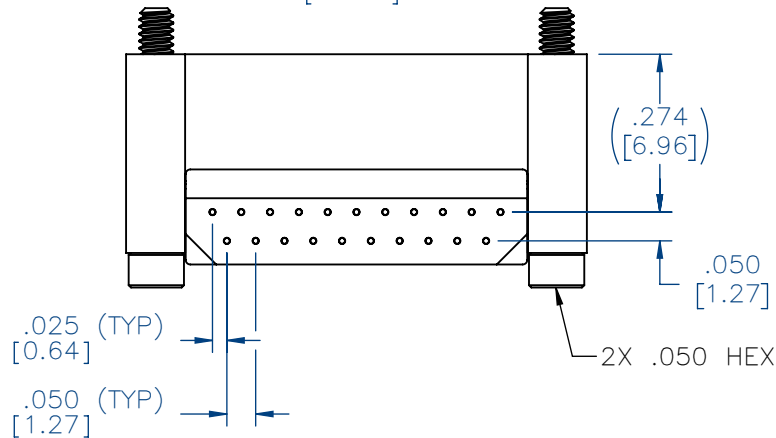
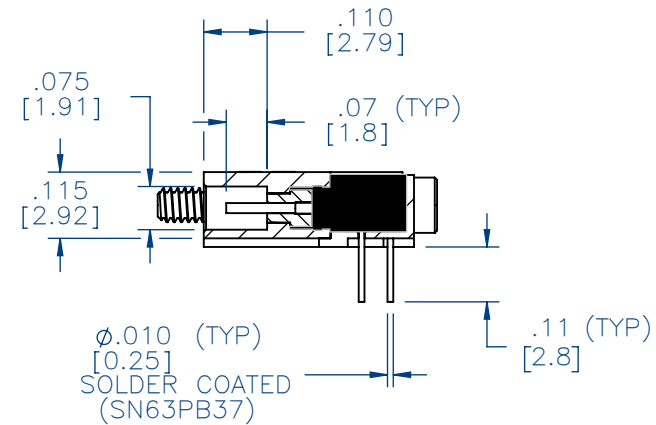
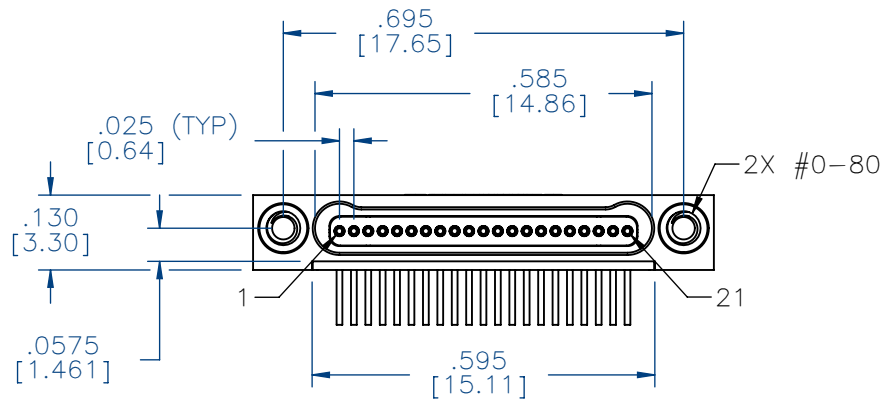
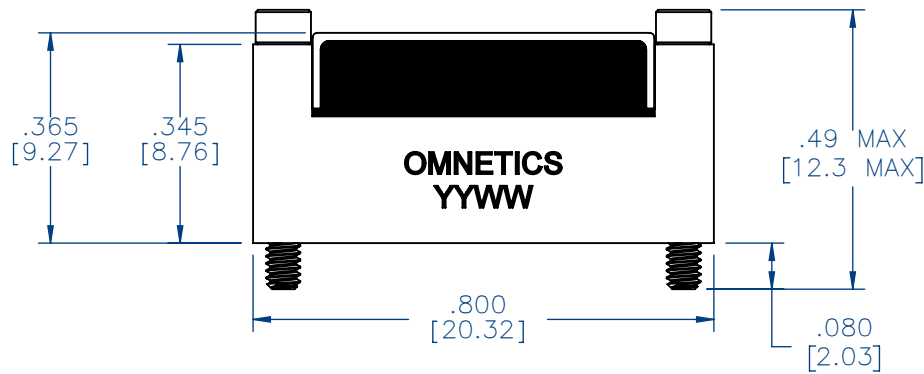


ACTUAL SIZE



NOTES:

- DIMENSIONS IN [] ARE IN MILLIMETERS UNLESS OTHERWISE NOTED AND ARE FOR REFERENCE ONLY

MBS SLDW	THIRD ANGLE ϕ \triangleleft
	-TOLERANCES-
	UNLESS OTHERWISE NOTED
	DIMENSIONS IN INCHES
2	PL DEC \pm .01
3	PL DEC \pm .005
4	PL DEC \pm .0005
	ANGLES \pm 1°

THIS DRAWING CONTAINS CONFIDENTIAL AND PROPRIETARY INFORMATION WHICH IS THE PROPERTY OF OMNETICS CONNECTOR CORP. THIS DOCUMENT MAY NOT, IN WHOLE OR IN PART, BE DUPLICATED, OR DISCLOSED FOR ANY PURPOSE, WITHOUT WRITTEN PERMISSION FROM OMNETICS CONNECTOR CORP.

TITLE:
DFTM. DWP
DATE
11-08-22

(21) SOCKET FEMALE
BI-LOBE CONNECTOR
W/JACKSCREWS

OMNETICS
CONNECTOR CORPORATION
8840 EVERGREEN BLVD.
MINNEAPOLIS, MN 55433
WWW.OMNETICS.COM

DWG NO.	CAGE CODE	61873
A50018-121		
SHEET	SCALE:	REV
1 OF 2	3:1	A

SPECIAL INSTRUCTIONS: NO	PART NO.	A50018-121	REV	ECO	DATE	APP
			A	110654	4/17/24	TLM

MATERIALS & SPECIFICATIONS

HOUSING:
ALUMINUM 6061, NICKEL PLATE (500 MICRONS MINIMUM) PER SAE-AMS-2404.

INSULATOR:
LIQUID CRYSTAL POLYMER (LCP) PER ASTM 5138

CONTACT:
COPPER ALLOY PER MIL-DTL-32139, GOLD PLATED PER ASTM B488, (HARD GOLD) TYPE II CODE C, CLASS 1.27

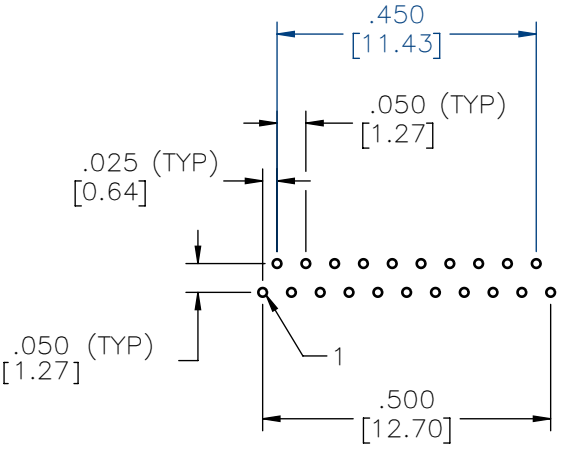
TERMINATION:
SOLDER COATED WITH SN63A PER J-STD-006

HARDWARE:
303 STAINLESS STEEL PER ASTM A582

CURRENT RATING:
1 AMP MAX PER MIL-DTL-32139

CONTACT RESISTANCE:
71 MILLIOHM MAX (71mV DROP MAX) @ 1.0 AMPS PER MIL-DTL-32139

PERFORMANCE:
PRODUCT FAMILY TESTED TO AND PASSED THE PERFORMANCE SPECIFICATIONS OF TABLE VIII OF MIL-DTL-32139.



SUGGESTED HOLE PATTERN

MBSS	THIRD ANGLE	THIS DRAWING CONTAINS CONFIDENTIAL AND PROPRIETARY INFORMATION WHICH IS THE PROPERTY OF OMNETICS CONNECTOR CORP. THIS DOCUMENT MAY NOT, IN WHOLE OR IN PART, BE DUPLICATED, OR DISCLOSED FOR ANY PURPOSE, WITHOUT WRITTEN PERMISSION FROM OMNETICS CONNECTOR CORP.	OMNETICS	DWG NO.	CAGE CODE 61873
	-TOLERANCES-			A50018-121	
	UNLESS OTHERWISE NOTED		CONNECTOR CORPORATION		
	DIMENSIONS IN INCHES	TITLE:	8840 EVERGREEN BLVD.	SHEET	SCALE: 3:1
	2 PL DEC ± .01	(21) SOCKET FEMALE	MINNEAPOLIS, MN 55433	2 OF 2	REV A
	3 PL DEC ± .005	BI-LOBE CONNECTOR	WWW.OMNETICS.COM		
	4 PL DEC ± .0005	W/JACKSCREWS			
SLDW	ANGLES ± 1°	DATE			
		11-08-22			