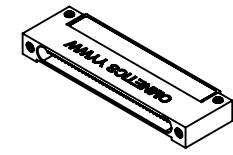
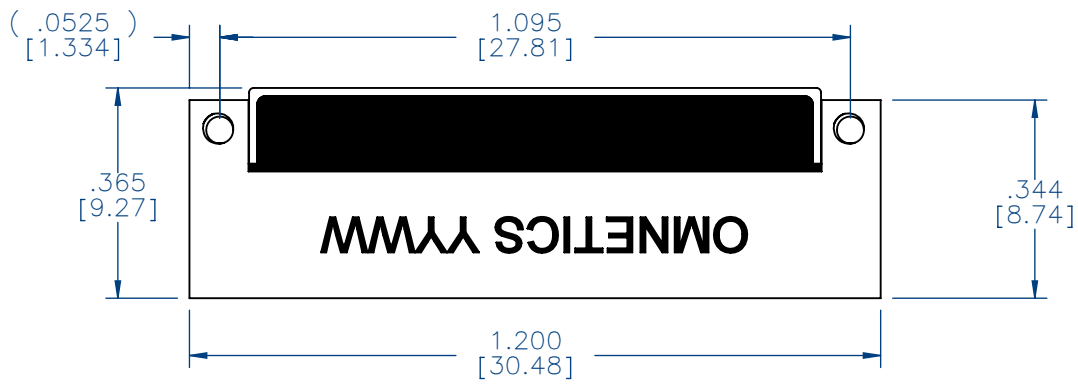
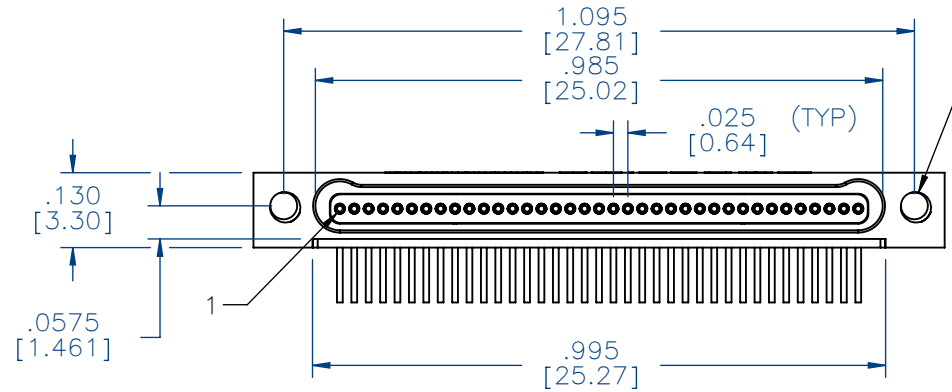


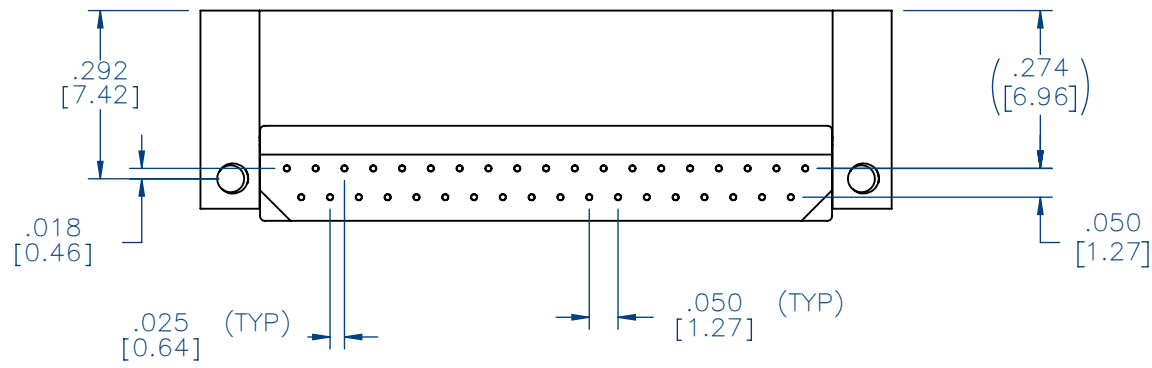
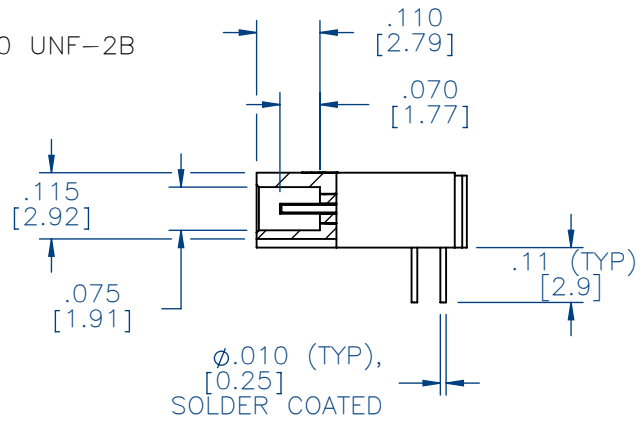
PART NO.	A50018-037	REV	ECO	DATE	APP
		B	100753	07-26-14	TLM



ACTUAL SIZE



4X #0-80 UNF-2B



NOTE:
DIMENSIONS IN [] ARE IN MILLIMETERS UNLESS OTHERWISE NOTED AND ARE FOR REFERENCE ONLY

MBS SLDW	THIRD ANGLE
	-TOLERANCES-
	UNLESS OTHERWISE NOTED
	DIMENSIONS IN INCHES
2 PL DEC ± .01	
3 PL DEC ± .005	
4 PL DEC ± .0005	
ANGLES ± 1°	

THIS DRAWING CONTAINS CONFIDENTIAL AND PROPRIETARY INFORMATION WHICH IS THE PROPERTY OF OMNETICS CONNECTOR CORP. THIS DOCUMENT MAY NOT, IN WHOLE OR IN PART, BE DUPLICATED, OR DISCLOSED FOR ANY PURPOSE, WITHOUT WRITTEN PERMISSION FROM OMNETICS CONNECTOR CORP.	
DFTM. GMH	DATE 03-04-14
CHK'D.	DATE
APP'D.	DATE
TITLE: (37) SOCKET FEMALE BI-LOBE CONNECTOR	

OMNETICS
CONNECTOR CORPORATION
7260 COMMERCE CIRCLE EAST
MINNEAPOLIS, MN 55432
WWW.OMNETICS.COM

CAGE CODE 61873
DWG NO. A50018-037
SHEET 1 OF 2
SCALE: 3:1
REV B

PART NO.	A50018-037	REV	ECO	DATE	APP
		B	100753	07-26-14	TLM

MATERIALS & SPECIFICATIONS

HOUSING:
ALUMINUM 6061-T6,
NICKEL PLATE PER
SAE-AMS-2404.

INSULATOR:
LIQUID CRYSTAL
POLYMER (LCP) PER
ASTM 5138

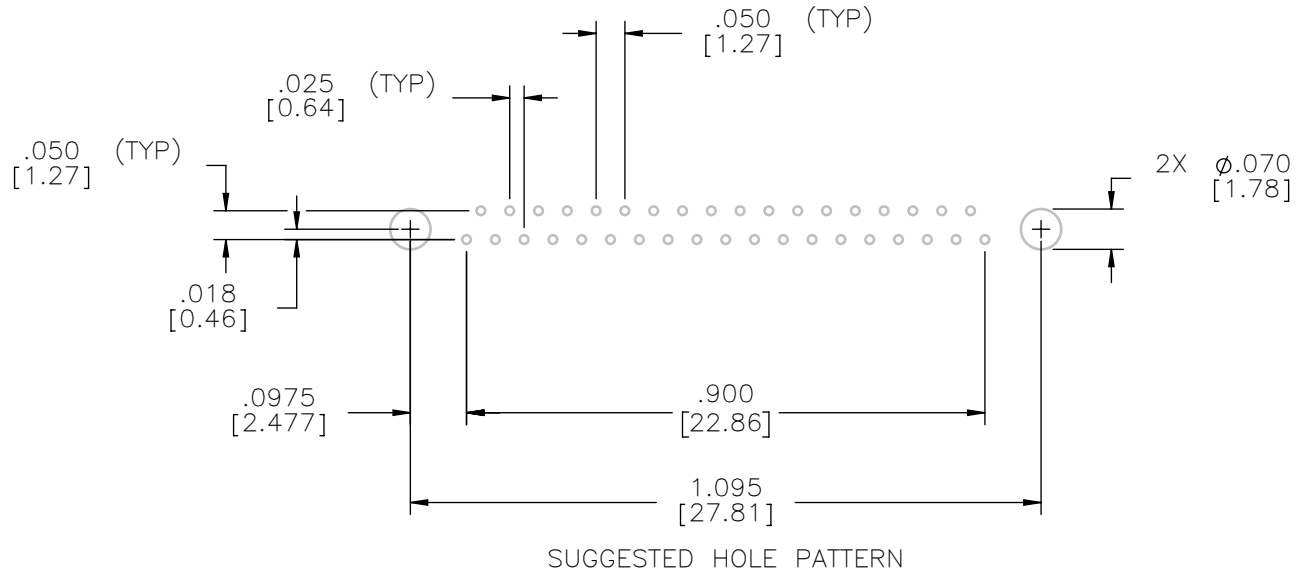
CONTACT:
COPPER ALLOY PER
MIL-DTL-32139, GOLD
PLATED PER ASTM
B488, (HARD GOLD)
TYPE II CODE C, CLASS
1.27

TERMINATION:
SOLDER COATED WITH
SN63A PER J-STD-006

CURRENT RATING:
1 AMP MAX PER MIL-
DTL-32139

CONTACT RESISTANCE:
71 MILLIOHM MAX
(71mV DROP MAX) @
1.0 AMPS PER MIL-
DTL-32139

PERFORMANCE:
PRODUCT FAMILY
TESTED TO AND
PASSED THE
PERFORMANCE
SPECIFICATIONS OF
TABLE VIII OF MIL-
DTL-32139.



SUGGESTED HOLE PATTERN

NOTE:
DIMENSIONS IN [] ARE IN
MILLIMETERS UNLESS
OTHERWISE NOTED AND ARE
FOR REFERENCE ONLY

MBSS	THIRD ANGLE	THIS DRAWING CONTAINS CONFIDENTIAL AND PROPRIETARY INFORMATION WHICH IS THE PROPERTY OF OMNETICS CONNECTOR CORP. THIS DOCUMENT MAY NOT, IN WHOLE OR IN PART, BE DUPLICATED, OR DISCLOSED FOR ANY PURPOSE, WITHOUT WRITTEN PERMISSION FROM OMNETICS CONNECTOR CORP.		CAGE CODE 61873
	SLDW	-TOLERANCES- UNLESS OTHERWISE NOTED DIMENSIONS IN INCHES	DFTM. GMH DATE 03-04-14	
	2 PL DEC ± .01	CHK'D.	TITLE: (37) SOCKET FEMALE BI-LOBE CONNECTOR	SHEET 2 OF 2
	3 PL DEC ± .005	APP'D.	7260 COMMERCE CIRCLE EAST MINNEAPOLIS, MN 55432 WWW.OMNETICS.COM	REV B
	4 PL DEC ± .0005			SCALE: 3:1
	ANGLES ± 1°			