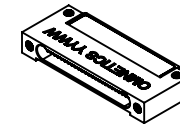
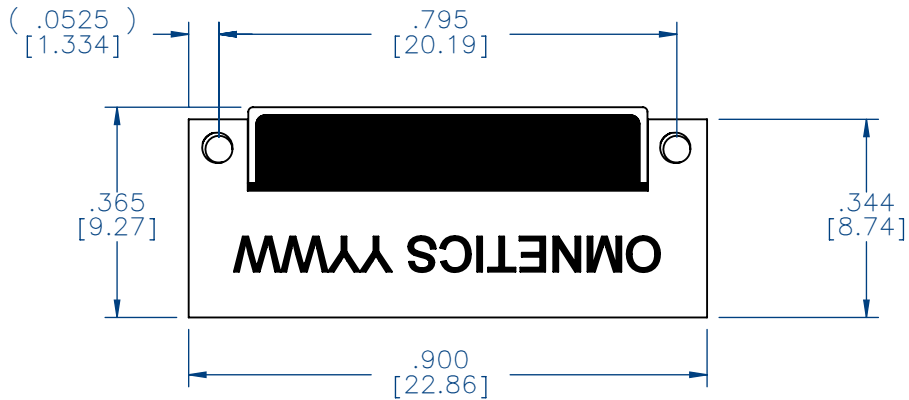
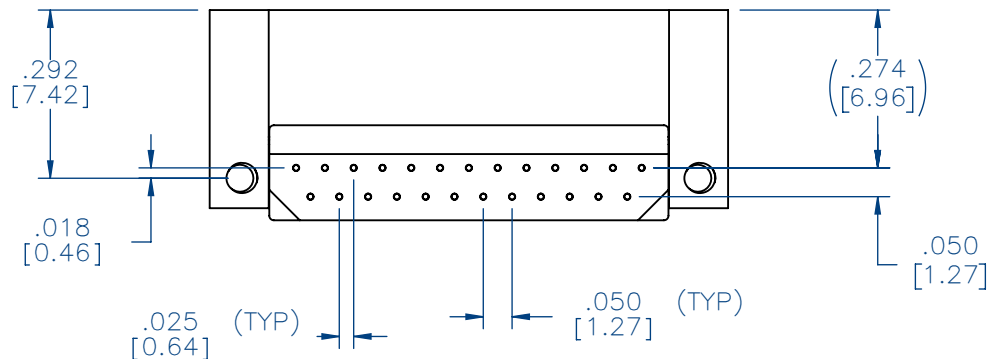
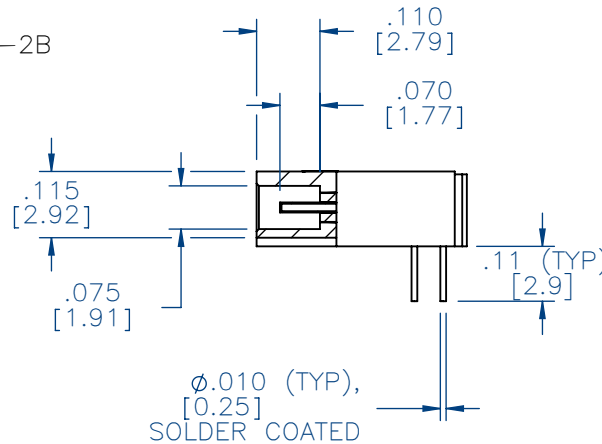
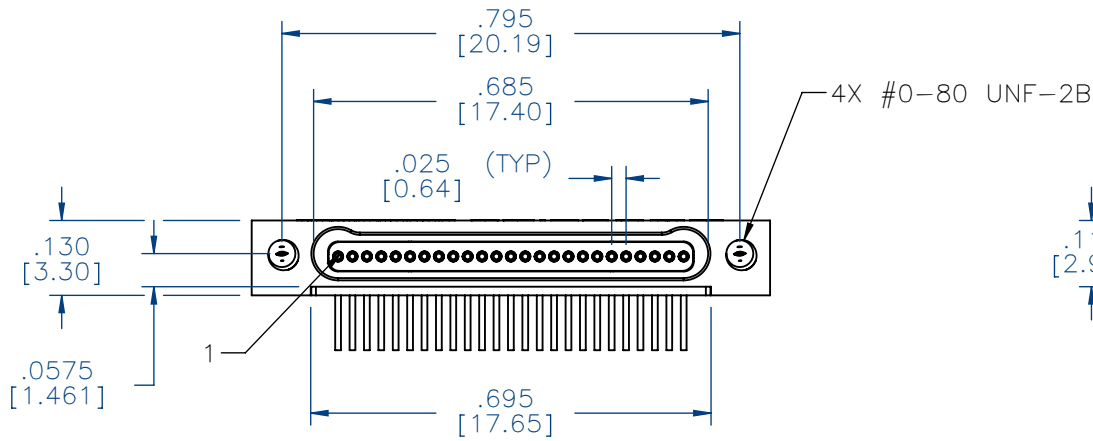


PART NO.	A50018-025	REV	ECO	DATE	APP
		B	100753	07-26-14	TLM



ACTUAL SIZE



NOTE:
DIMENSIONS IN [] ARE IN MILLIMETERS UNLESS OTHERWISE NOTED AND ARE FOR REFERENCE ONLY

MBSG SLDW	THIRD ANGLE
	-TOLERANCES-
	UNLESS OTHERWISE NOTED
	DIMENSIONS IN INCHES
2 PL DEC ± .01	
3 PL DEC ± .005	
4 PL DEC ± .0005	
ANGLES ± 1°	

THIS DRAWING CONTAINS CONFIDENTIAL AND PROPRIETARY INFORMATION WHICH IS THE PROPERTY OF OMNETICS CONNECTOR CORP. THIS DOCUMENT MAY NOT, IN WHOLE OR IN PART, BE DUPLICATED, OR DISCLOSED FOR ANY PURPOSE, WITHOUT WRITTEN PERMISSION FROM OMNETICS CONNECTOR CORP.	
DFTM. GMH	DATE 03-05-14
CHK'D.	DATE
APP'D.	DATE
TITLE: (25) SOCKET FEMALE BI-LOBE CONNECTOR	

OMNETICS
CONNECTOR CORPORATION
7260 COMMERCE CIRCLE EAST
MINNEAPOLIS, MN 55432
WWW.OMNETICS.COM

CAGE CODE 61873
DWG NO. A50018-025
SHEET 1 OF 2
SCALE: 3:1
REV B

PART NO.	A50018-025	REV	ECO	DATE	APP
		B	100753	07-26-14	TLM

MATERIALS & SPECIFICATIONS

HOUSING:
ALUMINUM 6061-T6,
NICKEL PLATE PER
SAE-AMS-2404.

INSULATOR:
LIQUID CRYSTAL
POLYMER (LCP) PER
ASTM 5138

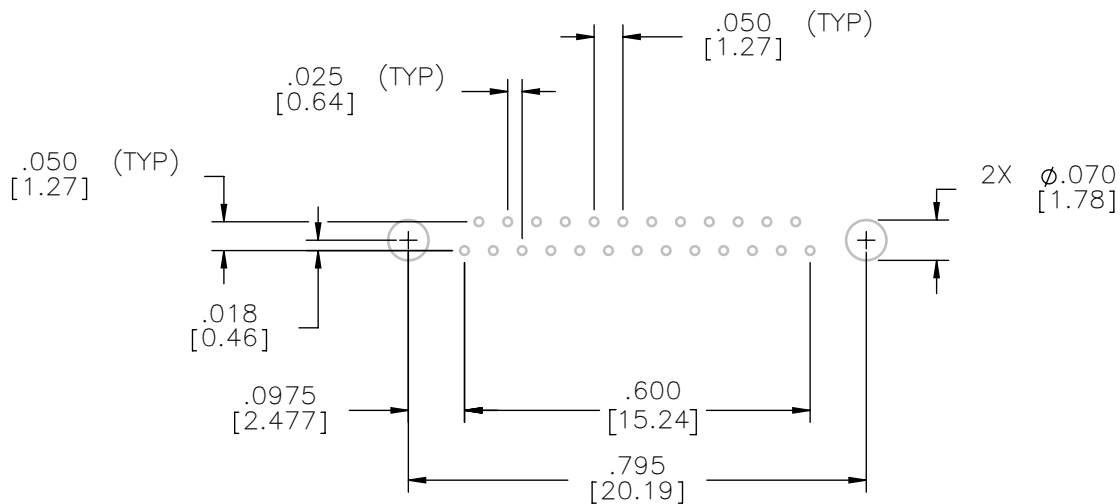
CONTACT:
COPPER ALLOY PER
MIL-DTL-32139, GOLD
PLATED PER ASTM
B488, (HARD GOLD)
TYPE II CODE C, CLASS
1.27

TERMINATION:
SOLDER COATED WITH
SN63A PER J-STD-006

CURRENT RATING:
1 AMP MAX PER MIL-
DTL-32139

CONTACT RESISTANCE:
71 MILLIOHM MAX
(71mV DROP MAX) @
1.0 AMPS PER MIL-
DTL-32139

PERFORMANCE:
PRODUCT FAMILY
TESTED TO AND
PASSED THE
PERFORMANCE
SPECIFICATIONS OF
TABLE VIII OF MIL-
DTL-32139.



SUGGESTED HOLE PATTERN

NOTE:

DIMENSIONS IN [] ARE IN MILLIMETERS UNLESS OTHERWISE NOTED AND ARE FOR REFERENCE ONLY

MBSS SLDW	THIRD ANGLE	THIS DRAWING CONTAINS CONFIDENTIAL AND PROPRIETARY INFORMATION WHICH IS THE PROPERTY OF OMNETICS CONNECTOR CORP. THIS DOCUMENT MAY NOT, IN WHOLE OR IN PART, BE DUPLICATED, OR DISCLOSED FOR ANY PURPOSE, WITHOUT WRITTEN PERMISSION FROM OMNETICS CONNECTOR CORP.		OMNETICS CONNECTOR CORPORATION 7260 COMMERCE CIRCLE EAST MINNEAPOLIS, MN 55432 WWW.OMNETICS.COM	CAGE CODE 61873
	-TOLERANCES- UNLESS OTHERWISE NOTED	DFTM. GMH	DATE		TITLE:
	DIMENSIONS IN INCHES	CHK'D.	DATE	(25) SOCKET FEMALE BI-LOBE CONNECTOR	A50018-025
	2 PL DEC ± .01 3 PL DEC ± .005 4 PL DEC ± .0005 ANGLES ± 1°	APP'D.	DATE	-	SHEET 2 OF 2
					SCALE: 3:1