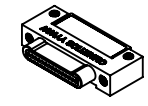
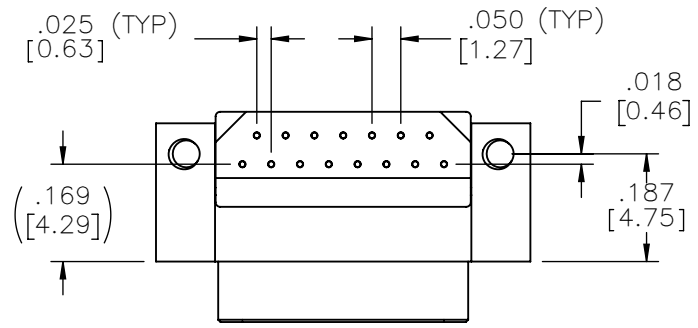
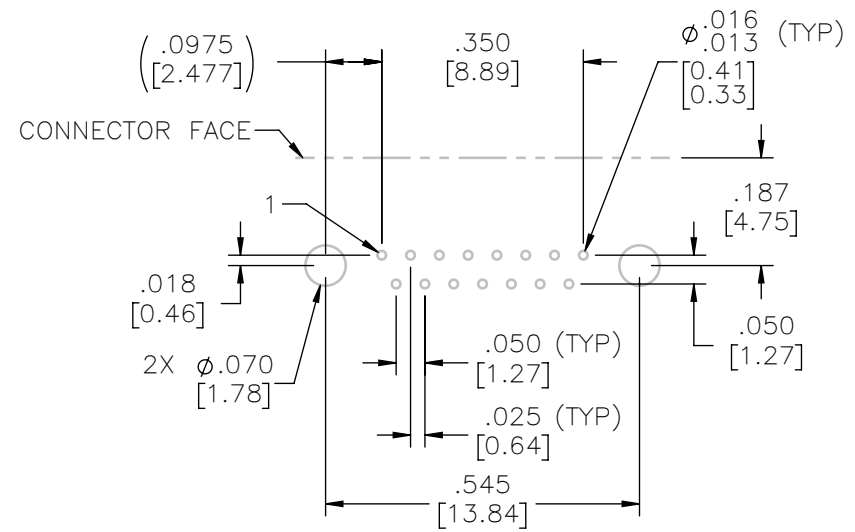
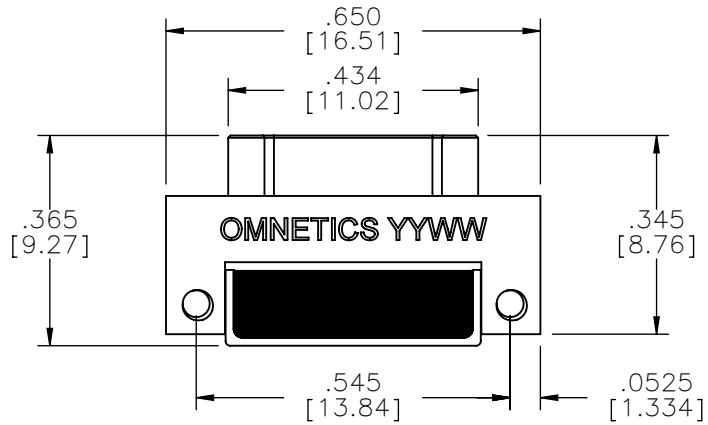
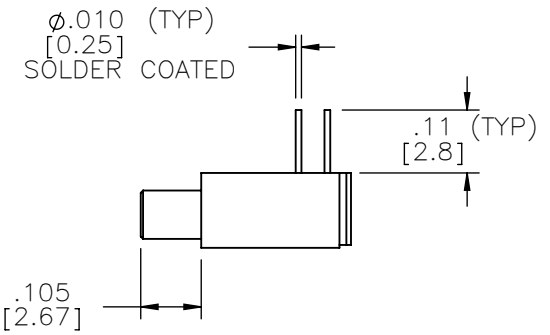
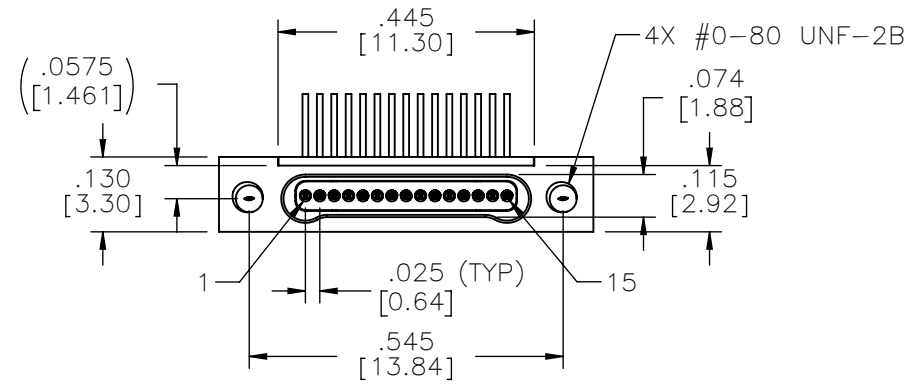


PART NO.	A50017-015	REV	ECO	DATE	APP
		C	106433	05-19-2020	TLM



ACTUAL SIZE



SUGGESTED HOLE PATTERN

NOTE:
DIMENSIONS IN [] ARE IN MILLIMETERS UNLESS OTHERWISE NOTED AND ARE FOR REFERENCE ONLY

MBS SLDW	THIRD ANGLE
	- TOLERANCES - UNLESS OTHERWISE NOTED
	DIMENSIONS IN INCHES
	2 PL DEC ± .01 3 PL DEC ± .005 4 PL DEC ± .0005 ANGLES ± 1°

THIS DRAWING CONTAINS CONFIDENTIAL AND PROPRIETARY INFORMATION WHICH IS THE PROPERTY OF OMNETICS CONNECTOR CORP. THIS DOCUMENT MAY NOT, IN WHOLE OR IN PART, BE DUPLICATED, OR DISCLOSED FOR ANY PURPOSE, WITHOUT WRITTEN PERMISSION FROM OMNETICS CONNECTOR CORP.	
DFTM. GMH	DATE 02-24-14
CHK'D.	DATE
APP'D.	DATE

TITLE:
(15) PIN MALE
Bi-Lobe® CONNECTOR

OMNETICS
CONNECTOR CORPORATION
7260 COMMERCE CIRCLE EAST
MINNEAPOLIS, MN 55432
WWW.OMNETICS.COM

CAGE CODE 61873	
DWG NO. A50017-015	
SHEET 1 OF 2	REV C
SCALE: 3:1	

PART NO.	A50017-015	REV	ECO	DATE	APP
		C	106433	05-19-2020	TLM

MATERIALS & SPECIFICATIONS

HOUSING:

ALUMINUM 6061, NICKEL PLATE (500 MICROINCHES MINIMUM) PER SAE-AMS-2404.

INSULATOR:

LIQUID CRYSTAL POLYMER (LCP) PER ASTM 5138

CONTACT:

BERYLLIUM COPPER PER ASTM B194, C17200. GOLD PLATED PER ASTM B488, (HARD GOLD) TYPE II CODE C, CLASS 1.27

TERMINATION:

SOLDER COATED WITH SN63A PER J-STD-006 OR AMS-P-81728

CURRENT RATING:

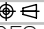

1 AMP MAX PER MIL-DTL-32139

CONTACT RESISTANCE:

71 MILLIOHM MAX

PERFORMANCE:

PRODUCT FAMILY TESTED TO AND PASSED THE PERFORMANCE SPECIFICATIONS OF TABLE VIII OF MIL-DTL-32139

MBPS	THIRD ANGLE 	THIS DRAWING CONTAINS CONFIDENTIAL AND PROPRIETARY INFORMATION WHICH IS THE PROPERTY OF OMNETICS CONNECTOR CORP. THIS DOCUMENT MAY NOT, IN WHOLE OR IN PART, BE DUPLICATED, OR DISCLOSED FOR ANY PURPOSE, WITHOUT WRITTEN PERMISSION FROM OMNETICS CONNECTOR CORP.		CAGE CODE 61873
	—TOLERANCES— UNLESS OTHERWISE NOTED	DFTM. GMH	DATE 02-24-14	
SLDW	DIMENSIONS IN INCHES	CHK'D.	DATE	SHEET 2 OF 2
	2 PL DEC ± .01	APP'D.	DATE	REV C
	3 PL DEC ± .005 4 PL DEC ± .0005 ANGLES ± 1°	TITLE: (15) PIN MALE Bi-Lobe® CONNECTOR		SCALE: 3:1
		 CONNECTOR CORPORATION 7260 COMMERCE CIRCLE EAST MINNEAPOLIS, MN 55432 WWW.OMNETICS.COM		