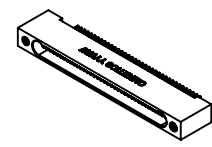
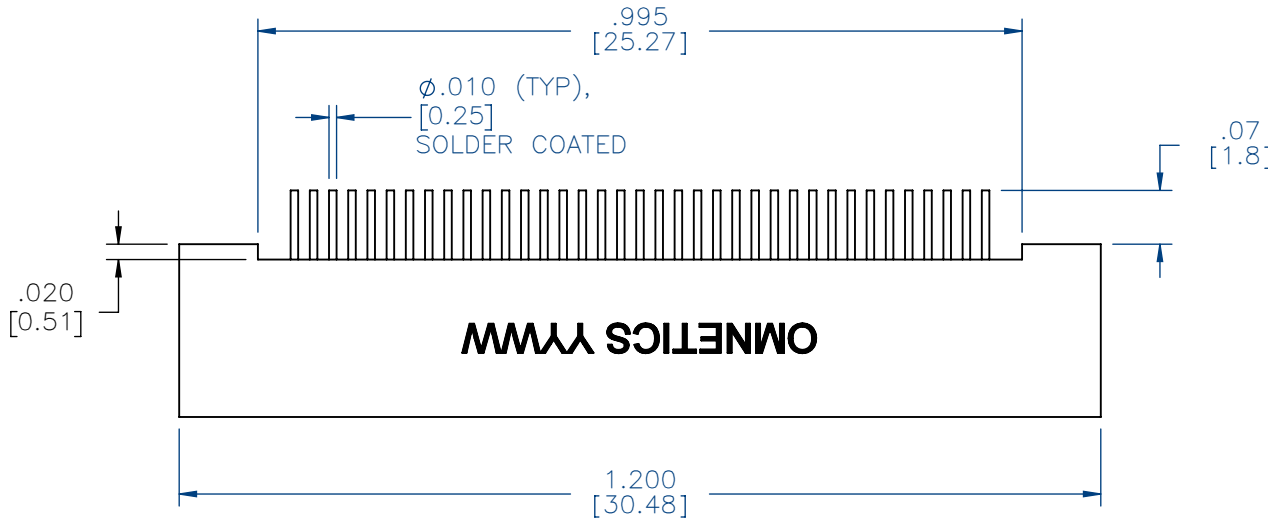
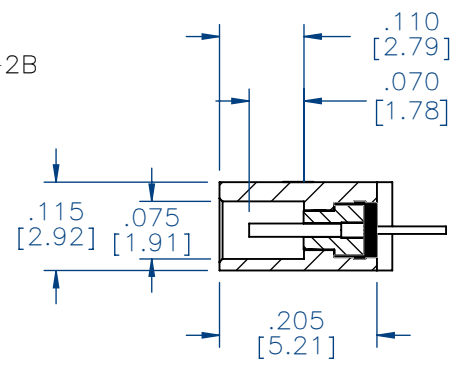
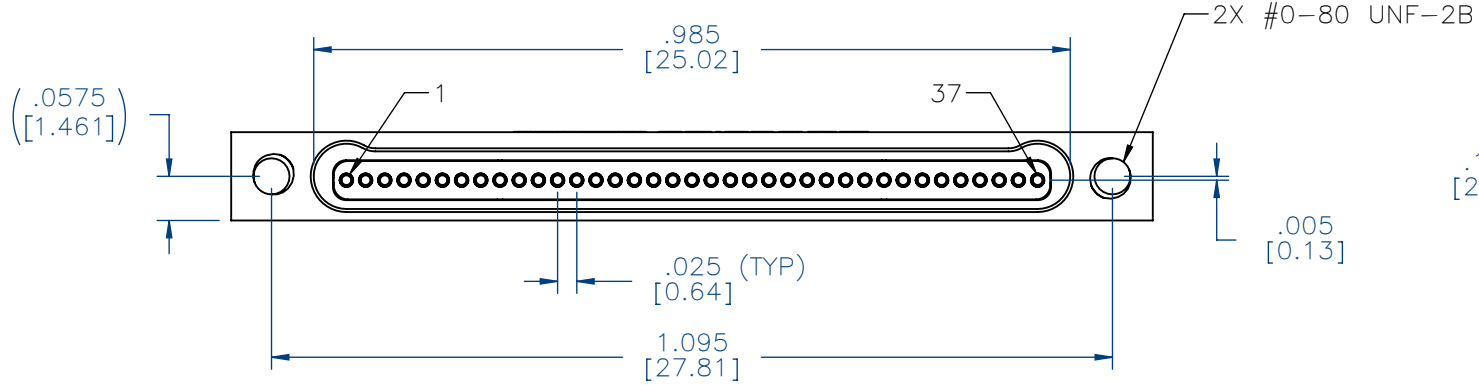


PART NO.	A50016-037	REV	ECO	DATE	APP
		C	102609	05-20-16	TLM



ACTUAL SIZE



NOTE:  
DIMENSIONS IN [ ] ARE IN MILLIMETERS UNLESS OTHERWISE NOTED AND ARE FOR REFERENCE ONLY

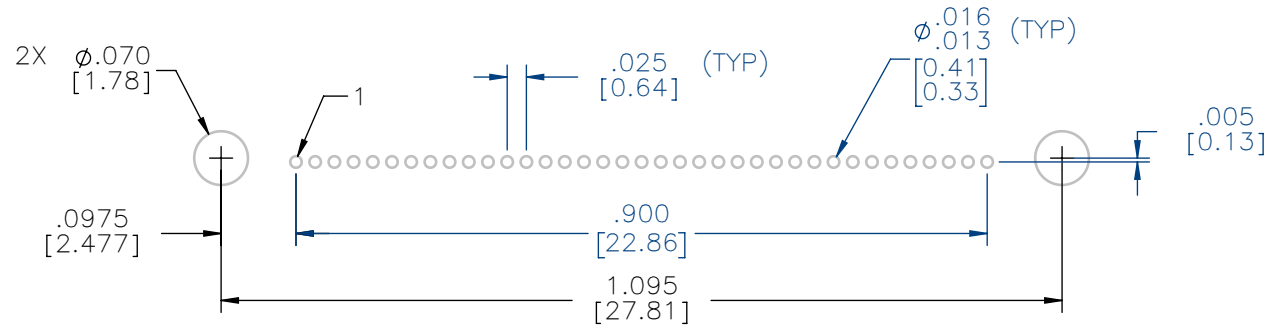
MBSS SLDW	THIRD ANGLE
	- TOLERANCES - UNLESS OTHERWISE NOTED
	DIMENSIONS IN INCHES
	2 PL DEC ± .01 3 PL DEC ± .005 4 PL DEC ± .0005 ANGLES ± 1°

THIS DRAWING CONTAINS CONFIDENTIAL AND PROPRIETARY INFORMATION WHICH IS THE PROPERTY OF OMNETICS CONNECTOR CORP. THIS DOCUMENT MAY NOT, IN WHOLE OR IN PART, BE DUPLICATED, OR DISCLOSED FOR ANY PURPOSE, WITHOUT WRITTEN PERMISSION FROM OMNETICS CONNECTOR CORP.	
DFTM. GMH	DATE 03-04-14
CHK'D.	DATE
APP'D.	DATE
TITLE: (37) SOCKET FEMALE Bi-Lobe® CONNECTOR	

**OMNETICS**  
CONNECTOR CORPORATION  
7260 COMMERCE CIRCLE EAST  
MINNEAPOLIS, MN 55432  
WWW.OMNETICS.COM

CAGE CODE 61873
DWG NO. A50016-037
SHEET 1 OF 2
SCALE: 4:1
REV C

PART NO.	A50016-037	REV	ECO	DATE	APP
		C	102609	05-20-16	TLM



SUGGESTED HOLE PATTERN

MATERIALS & SPECIFICATIONS

HOUSING: ALUMINUM 6061-T6, NICKEL PLATE PER SAE-AMS-2404  
 INSULATOR: LIQUID CRYSTAL POLYMER (LCP) PER ASTM 5138  
 CONTACT: COPPER ALLOY PER MIL-DTL-32139. GOLD PLATED PER ASTM B488, (HARD GOLD) TYPE II CODE C, CLASS 1.27  
 TERMINATION: SOLDER COATED WITH SN63A PER J-STD-006  
 CURRENT RATING: 1 AMP MAX PER MIL-DTL-32139  
 CONTACT RESISTANCE: 71 MILLIOHM MAX  
 PERFORMANCE: PRODUCT FAMILY TESTED TO AND PASSED THE PERFORMANCE SPECIFICATIONS OF TABLE VIII OF MIL-DTL-32139

NOTE:  
 DIMENSIONS IN [ ] ARE IN MILLIMETERS UNLESS OTHERWISE NOTED AND ARE FOR REFERENCE ONLY

MBS	THIRD ANGLE	THIS DRAWING CONTAINS CONFIDENTIAL AND PROPRIETARY INFORMATION WHICH IS THE PROPERTY OF OMNETICS CONNECTOR CORP. THIS DOCUMENT MAY NOT, IN WHOLE OR IN PART, BE DUPLICATED, OR DISCLOSED FOR ANY PURPOSE, WITHOUT WRITTEN PERMISSION FROM OMNETICS CONNECTOR CORP.	DATE 03-04-14	TITLE: (37) SOCKET FEMALE Bi-Lobe® CONNECTOR	CAGE CODE <b>61873</b>	DWG NO. <b>A50016-037</b>	SHEET 2 OF 2	REV C
	UNLESS OTHERWISE NOTED							
SLDW	DIMENSIONS IN INCHES	DFTM. GMH	DATE		<b>OMNETICS</b> CONNECTOR CORPORATION 7260 COMMERCE CIRCLE EAST MINNEAPOLIS, MN 55432 WWW.OMNETICS.COM			
	2 PL DEC ± .01 3 PL DEC ± .005 4 PL DEC ± .0005 ANGLES ± 1°	CHK'D.	DATE					
		APP'D.	DATE		SCALE: 4:1			