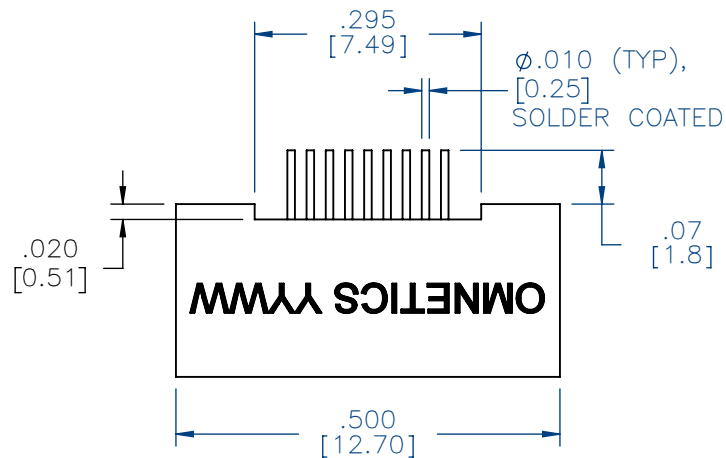
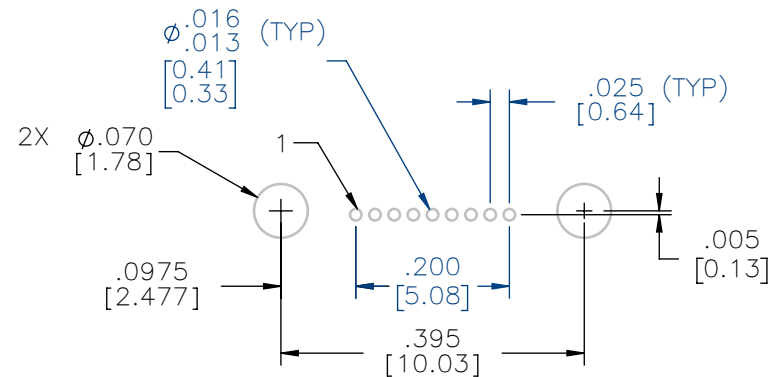
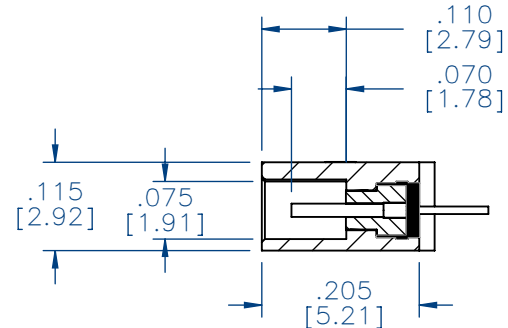
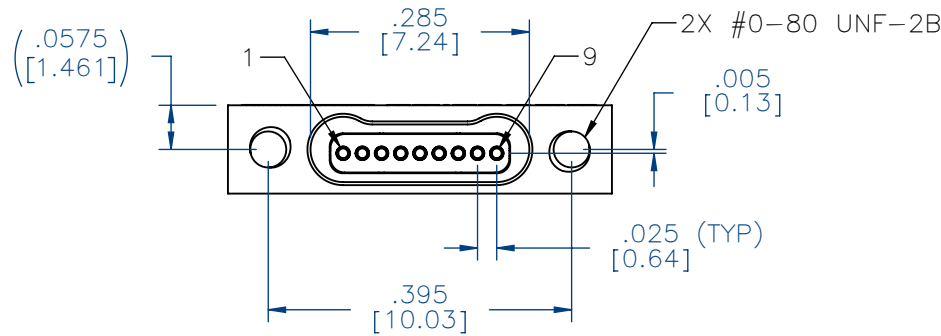


PART NO.	A50016-009	REV	ECO	DATE	APP
		C	102609	05-20-16	TLM



ACTUAL SIZE



SUGGESTED HOLE PATTERN

MATERIALS & SPECIFICATIONS

HOUSING: ALUMINUM 6061-T6, NICKEL PLATE PER SAE-AMS-2404
 INSULATOR: LIQUID CRYSTAL POLYMER (LCP) PER ASTM 5138
 CONTACT: COPPER ALLOY PER MIL-DTL-32139. GOLD PLATED PER ASTM B488, (HARD GOLD) TYPE II CODE C, CLASS 1.27
 TERMINATION: SOLDER COATED WITH SN63A PER J-STD-006
 CURRENT RATING: 1 AMP MAX PER MIL-DTL-32139
 CONTACT RESISTANCE: 71 MILLIOHM MAX
 PERFORMANCE: PRODUCT FAMILY TESTED TO AND PASSED THE PERFORMANCE SPECIFICATIONS OF TABLE VIII OF MIL-DTL-32139

NOTE:

DIMENSIONS IN [] ARE IN MILLIMETERS UNLESS OTHERWISE NOTED AND ARE FOR REFERENCE ONLY

MBS	THIRD ANGLE	THIS DRAWING CONTAINS CONFIDENTIAL AND PROPRIETARY INFORMATION WHICH IS THE PROPERTY OF OMNETICS CONNECTOR CORP. THIS DOCUMENT MAY NOT, IN WHOLE OR IN PART, BE DUPLICATED, OR DISCLOSED FOR ANY PURPOSE, WITHOUT WRITTEN PERMISSION FROM OMNETICS CONNECTOR CORP.	
	-TOLERANCES-	DFTM. GMH	DATE 03-04-14
	UNLESS OTHERWISE NOTED	CHK'D.	DATE
	DIMENSIONS IN INCHES	APP'D.	DATE
SLDW	2 PL DEC ± .01		
	3 PL DEC ± .005		
	4 PL DEC ± .0005		
	ANGLES ± 1°		

TITLE:	(9) SOCKET FEMALE
	Bi-Lobe® CONNECTOR

OMNETICS
 CONNECTOR CORPORATION
 7260 COMMERCE CIRCLE EAST
 MINNEAPOLIS, MN 55432
 WWW.OMNETICS.COM

CAGE CODE	61873
DWG NO.	A50016-009
SHEET 1 OF 1	REV C
SCALE:	4:1