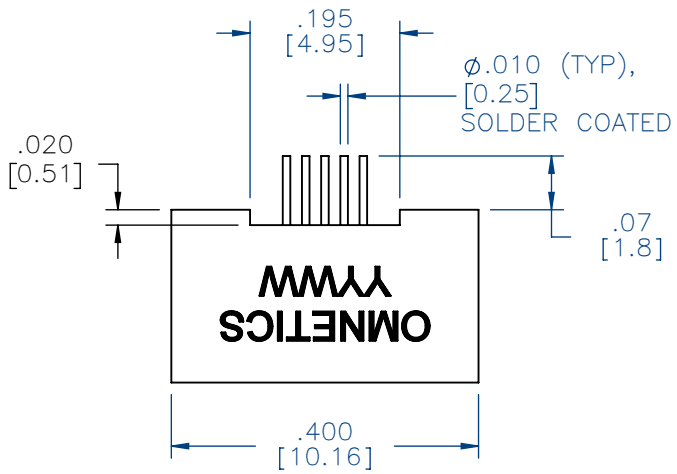
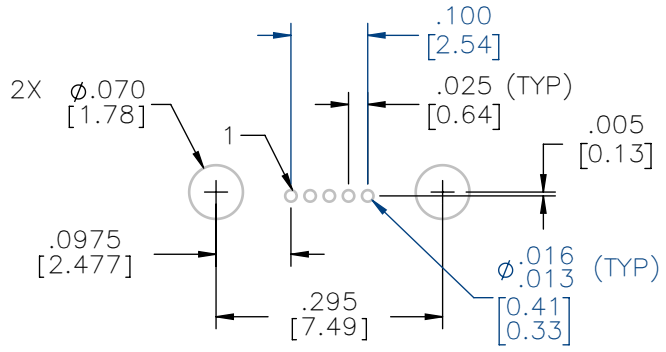
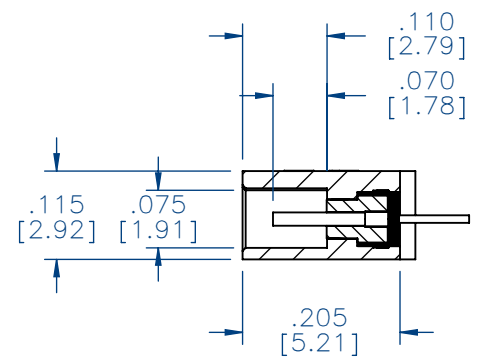
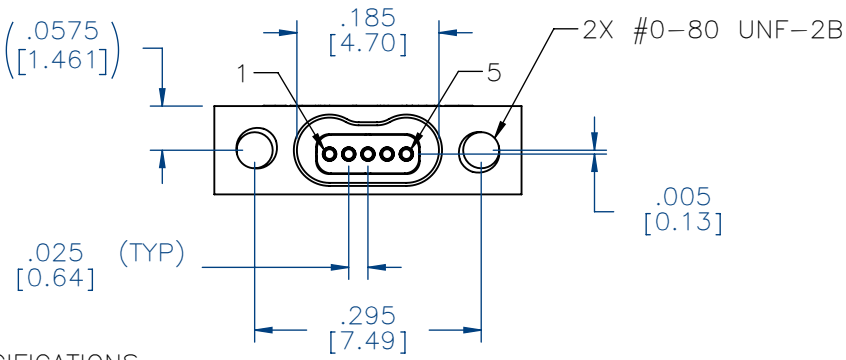


PART NO.	A50016-005	REV	ECO	DATE	APP
		C	102609	05-20-16	TLM



ACTUAL SIZE



SUGGESTED HOLE PATTERN

**MATERIALS & SPECIFICATIONS**

HOUSING: ALUMINUM 6061-T6, NICKEL PLATE PER SAE-AMS-2404  
 INSULATOR: LIQUID CRYSTAL POLYMER (LCP) PER ASTM 5138  
 CONTACT: COPPER ALLOY PER MIL-DTL-32139. GOLD PLATED PER ASTM B488, (HARD GOLD) TYPE II CODE C, CLASS 1.27  
 TERMINATION: SOLDER COATED WITH SN63A PER J-STD-006  
 CURRENT RATING: 1 AMP MAX PER MIL-DTL-32139  
 CONTACT RESISTANCE: 71 MILLIOHM MAX  
 PERFORMANCE: PRODUCT FAMILY TESTED TO AND PASSED THE PERFORMANCE SPECIFICATIONS OF TABLE VIII OF MIL-DTL-32139

**NOTE:**

DIMENSIONS IN [ ] ARE IN MILLIMETERS UNLESS OTHERWISE NOTED AND ARE FOR REFERENCE ONLY

MBS	THIRD ANGLE	THIS DRAWING CONTAINS CONFIDENTIAL AND PROPRIETARY INFORMATION WHICH IS THE PROPERTY OF OMNETICS CONNECTOR CORP. THIS DOCUMENT MAY NOT, IN WHOLE OR IN PART, BE DUPLICATED, OR DISCLOSED FOR ANY PURPOSE, WITHOUT WRITTEN PERMISSION FROM OMNETICS CONNECTOR CORP.	
	- TOLERANCES - UNLESS OTHERWISE NOTED	DFTM. GMH	DATE 03-04-14
	DIMENSIONS IN INCHES	CHK'D.	DATE
	2 PL DEC ± .01 3 PL DEC ± .005 4 PL DEC ± .0005 ANGLES ± 1°	APP'D.	DATE

TITLE:  
 (5) SOCKET FEMALE  
 Bi-Lobe® CONNECTOR

**OMNETICS**  
 CONNECTOR CORPORATION  
 7260 COMMERCE CIRCLE EAST  
 MINNEAPOLIS, MN 55432  
 WWW.OMNETICS.COM

CAGE CODE <b>61873</b>	
DWG NO. <b>A50016-005</b>	
SHEET 1 OF 1	REV C
SCALE: 4:1	