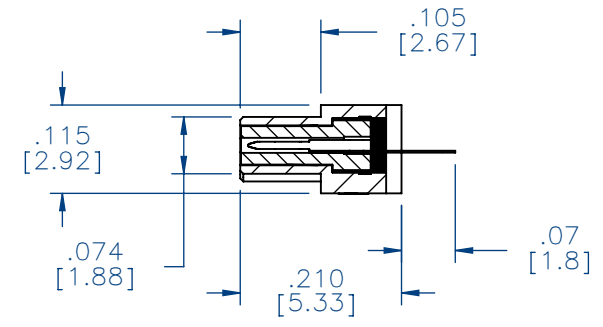
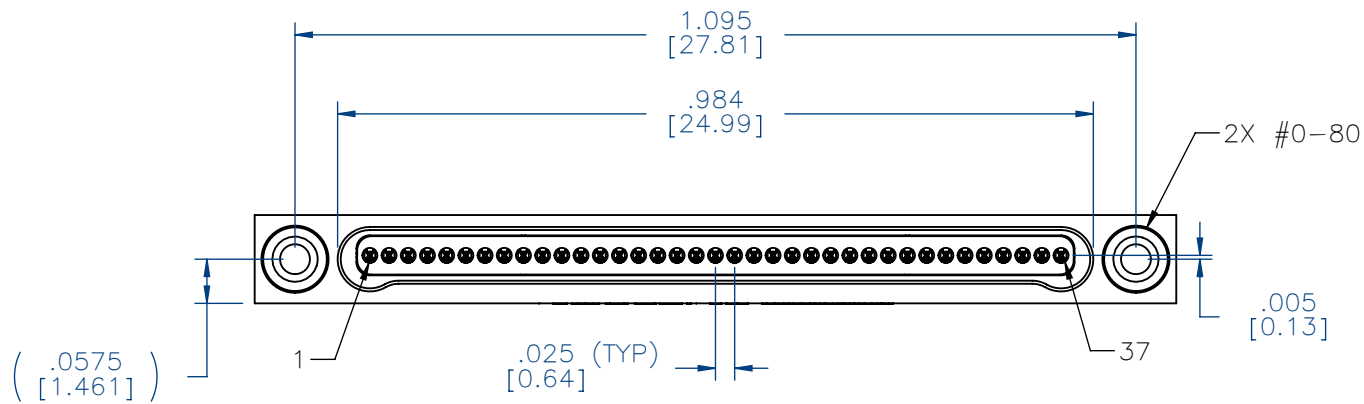
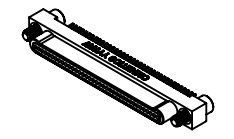
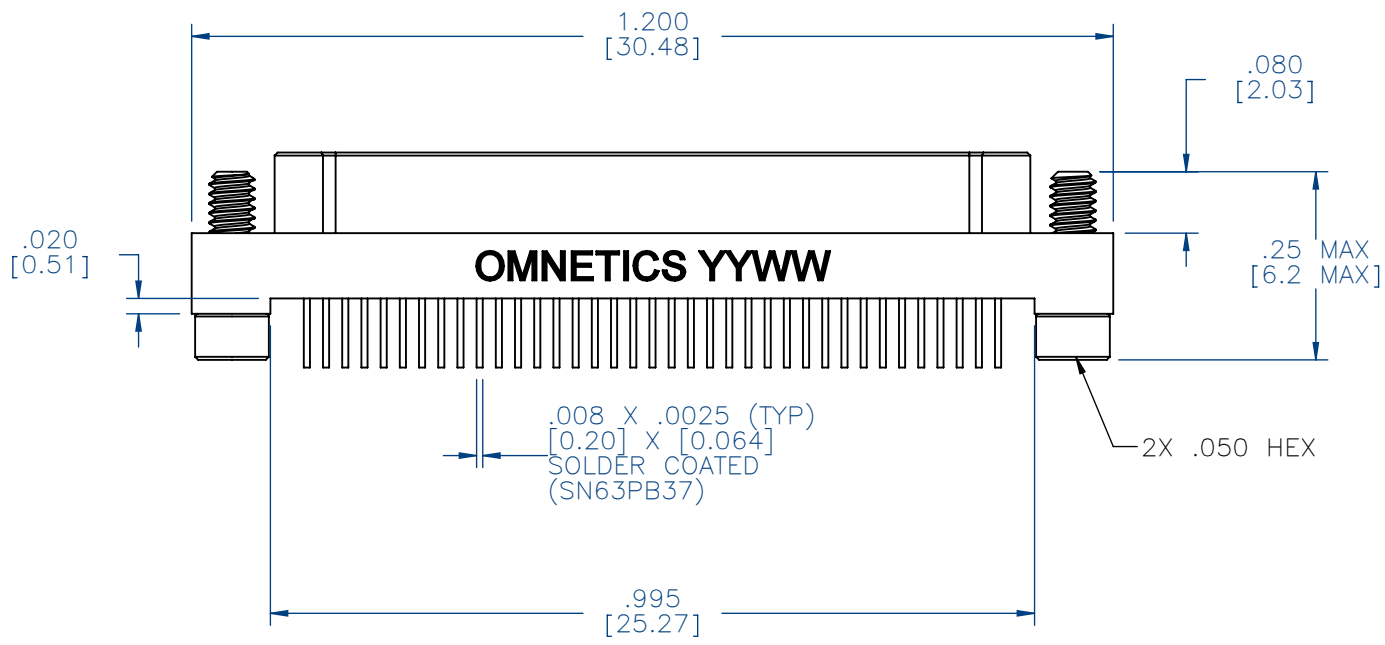


PART NO.	A50015-037	REV	ECO	DATE	APP
		C	109945	05-18-23	BAS



VIEW LESS HARDWARE



ACTUAL SIZE

NOTES:
 1. DIMENSIONS IN [] ARE IN MILLIMETERS UNLESS OTHERWISE NOTED AND ARE FOR REFERENCE ONLY

MBPS	THIRD ANGLE	THIS DRAWING CONTAINS CONFIDENTIAL AND PROPRIETARY INFORMATION WHICH IS THE PROPERTY OF OMNETICS CONNECTOR CORP. THIS DOCUMENT MAY NOT, IN WHOLE OR IN PART, BE DUPLICATED, OR DISCLOSED FOR ANY PURPOSE, WITHOUT WRITTEN PERMISSION FROM OMNETICS CONNECTOR CORP.
	—TOLERANCES— UNLESS OTHERWISE NOTED	
SLDW	DIMENSIONS IN INCHES	TITLE:
	2 PL DEC ± .01	(37) PIN MALE
	3 PL DEC ± .005	DFTM. GMH
	4 PL DEC ± .0005	DATE
	ANGLES ± 1°	02-25-14

TITLE:	
(37) PIN MALE	
BI-LOBE CONNECTOR	
-	

OMNETICS
 CONNECTOR CORPORATION
 8840 EVERGREEN BLVD.
 MINNEAPOLIS, MN 55433
 WWW.OMNETICS.COM

DWG NO.	CAGE CODE	61873
		A50015-037
SHEET	SCALE:	REV
1 OF 2	4:1	C

MATERIALS & SPECIFICATIONS

PART NO.	A50015-037	REV	ECO	DATE	APP
		C	109945	05-18-23	BAS

HOUSING:
ALUMINUM 6061, NICKEL PLATED (500 MICROINCHES MINIMUM) PER SAE-AMS-2404.

INSULATOR:
LIQUID CRYSTAL POLYMER (LCP) PER ASTM D5138

CONTACT:
BERYLLIUM COPPER PER ASTM B194, C17200, GOLD PLATED PER ASTM B488, (HARD GOLD) TYPE II CODE C, CLASS 1.27

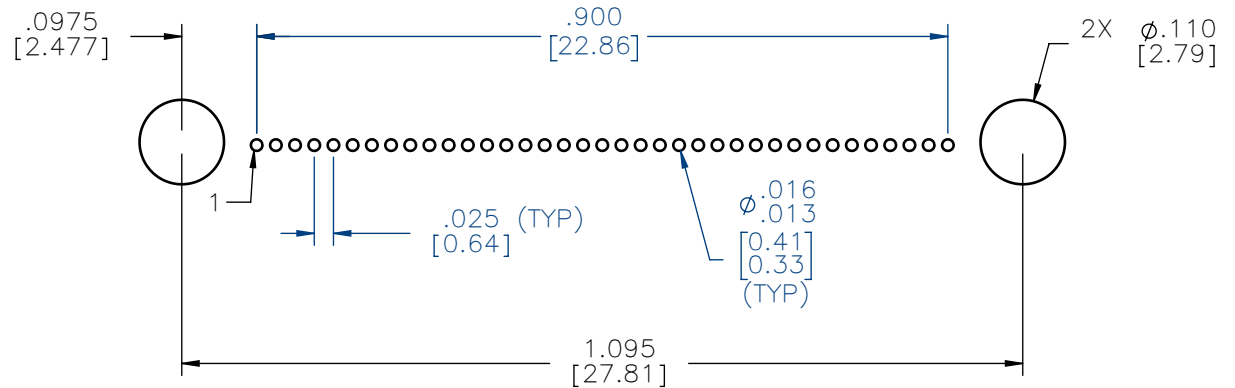
TERMINATION:
SOLDER COATED WITH SN63A PER J-STD-006 OR PER AMS-P-81728

HARDWARE:
303 STAINLESS STEEL PER ASTM A582

CURRENT RATING:
1 AMP MAX PER MIL-DTL-32139

CONTACT RESISTANCE:
71 MILLIOHM MAX (71mV DROP MAX) @ 1.0 AMPS PER MIL-DTL-32139

PERFORMANCE:
PRODUCT FAMILY TESTED TO AND PASSED THE PERFORMANCE SPECIFICATIONS OF TABLE VIII OF MIL-DTL-32139.



SUGGESTED HOLE PATTERN

MBPS	THIRD ANGLE
	-TOLERANCES- UNLESS OTHERWISE NOTED
SLDW	DIMENSIONS IN INCHES
	2 PL DEC ± .01
	3 PL DEC ± .005
	4 PL DEC ± .0005
	ANGLES ± 1°

THIS DRAWING CONTAINS CONFIDENTIAL AND PROPRIETARY INFORMATION WHICH IS THE PROPERTY OF OMNETICS CONNECTOR CORP. THIS DOCUMENT MAY NOT, IN WHOLE OR IN PART, BE DUPLICATED, OR DISCLOSED FOR ANY PURPOSE, WITHOUT WRITTEN PERMISSION FROM OMNETICS CONNECTOR CORP.	
TITLE:	(37) PIN MALE BI-LOBE CONNECTOR
DFTM. GMH	
DATE	02-25-14

OMNETICS
CONNECTOR CORPORATION
8840 EVERGREEN BLVD.
MINNEAPOLIS, MN 55433
WWW.OMNETICS.COM

DWG NO.	CAGE CODE	61873
A50015-037		
SHEET	SCALE: 4:1	REV C
2 OF 2		