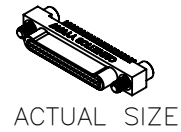
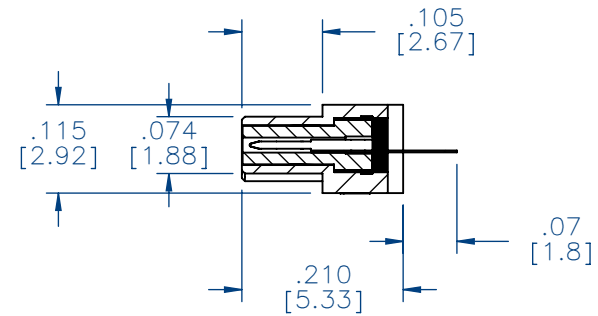
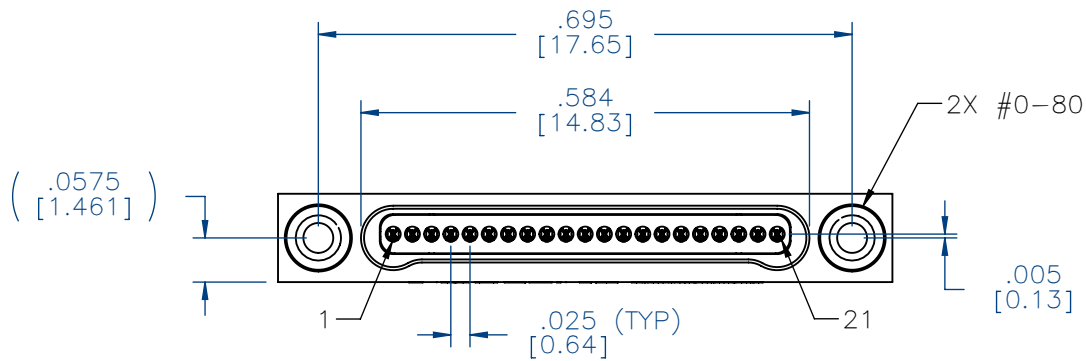
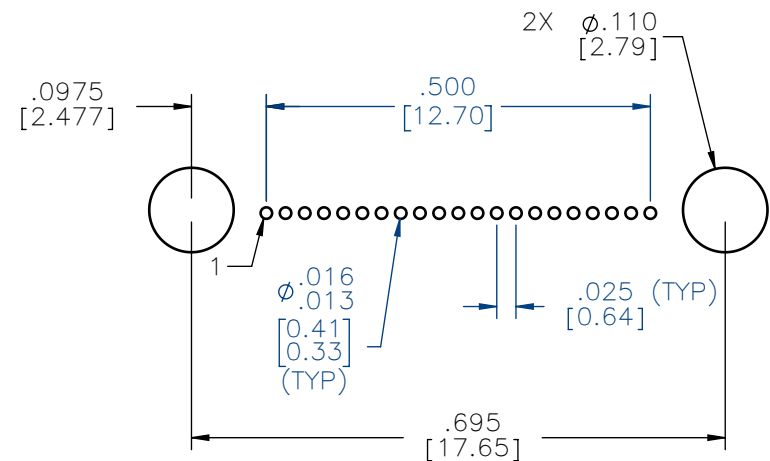
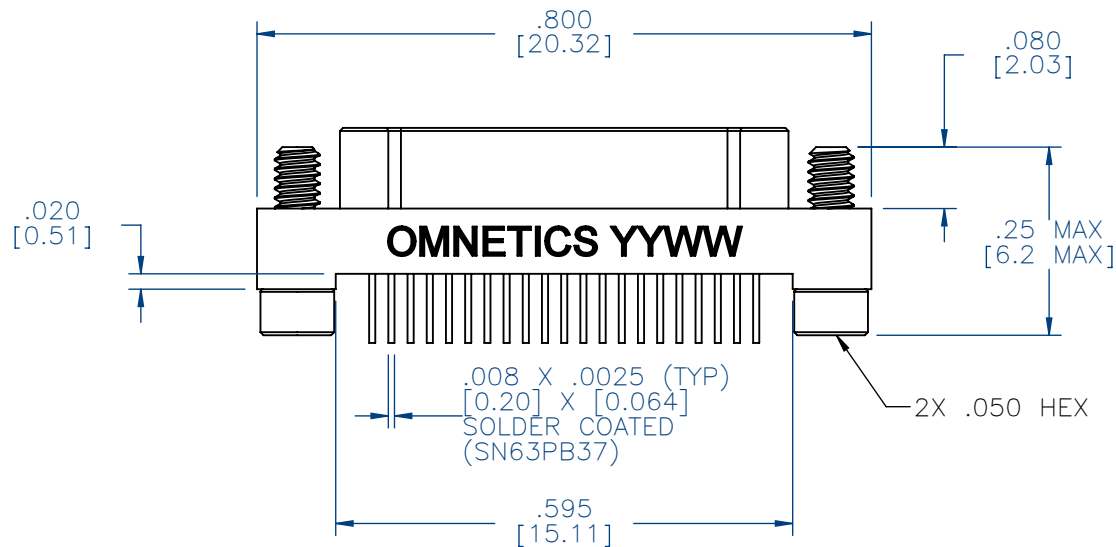


|          |            |     |        |          |     |
|----------|------------|-----|--------|----------|-----|
| PART NO. | A50015-021 | REV | ECO    | DATE     | APP |
|          |            | C   | 109945 | 05-18-23 | BAS |



VIEW LESS HARDWARE



SUGGESTED HOLE PATTERN

NOTES:

1. DIMENSIONS IN [ ] ARE IN MILLIMETERS UNLESS OTHERWISE NOTED AND ARE FOR REFERENCE ONLY

|      |                        |
|------|------------------------|
| MBPS | THIRD ANGLE $\phi$     |
|      | -TOLERANCES-           |
| SLDW | UNLESS OTHERWISE NOTED |
|      | DIMENSIONS IN INCHES   |
|      | 2 PL DEC $\pm$ .01     |
|      | 3 PL DEC $\pm$ .005    |
|      | 4 PL DEC $\pm$ .0005   |
|      | ANGLES $\pm$ 1°        |

THIS DRAWING CONTAINS CONFIDENTIAL AND PROPRIETARY INFORMATION WHICH IS THE PROPERTY OF OMNETICS CONNECTOR CORP. THIS DOCUMENT MAY NOT, IN WHOLE OR IN PART, BE DUPLICATED, OR DISCLOSED FOR ANY PURPOSE, WITHOUT WRITTEN PERMISSION FROM OMNETICS CONNECTOR CORP.

TITLE:  
DFTM. GMH  
DATE  
02-25-14

(21) PIN MALE  
BI-LOBE CONNECTOR

**OMNETICS**  
CONNECTOR CORPORATION  
8840 EVERGREEN BLVD.  
MINNEAPOLIS, MN 55433  
WWW.OMNETICS.COM

|            |           |       |
|------------|-----------|-------|
| DWG NO.    | CAGE CODE | 61873 |
| A50015-021 |           |       |
| SHEET      | SCALE:    | REV   |
| 1 OF 2     | 4:1       | C     |

|          |            |     |        |          |     |
|----------|------------|-----|--------|----------|-----|
| PART NO. | A50015-021 | REV | ECO    | DATE     | APP |
|          |            | C   | 109945 | 05-18-23 | BAS |

MATERIALS & SPECIFICATIONS

HOUSING:

ALUMINUM 6061, NICKEL PLATED (500 MICROINCHES MINIMUM) PER SAE-AMS-2404.

INSULATOR:

LIQUID CRYSTAL POLYMER (LCP) PER ASTM D5138

CONTACT:

BERYLLIUM COPPER PER ASTM B194, C17200, GOLD PLATED PER ASTM B488, (HARD GOLD) TYPE II CODE C, CLASS 1.27

TERMINATION:

SOLDER COATED WITH SN63A PER J-STD-006 OR PER AMS-P-81728

HARDWARE:

303 STAINLESS STEEL PER ASTM A582

CURRENT RATING:

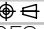
1 AMP MAX PER MIL-DTL-32139

CONTACT RESISTANCE:

71 MILLIOHM MAX (71mV DROP MAX) @ 1.0 AMPS PER MIL-DTL-32139

PERFORMANCE:

PRODUCT FAMILY TESTED TO AND PASSED THE PERFORMANCE SPECIFICATIONS OF TABLE VIII OF MIL-DTL-32139.

|              |   |  |   |                   |                        |
|--------------|---|--|---|-------------------|------------------------|
| MBPS<br>SLDW | THIRD ANGLE  | THIS DRAWING CONTAINS CONFIDENTIAL AND PROPRIETARY INFORMATION WHICH IS THE PROPERTY OF OMNETICS CONNECTOR CORP. THIS DOCUMENT MAY NOT, IN WHOLE OR IN PART, BE DUPLICATED, OR DISCLOSED FOR ANY PURPOSE, WITHOUT WRITTEN PERMISSION FROM OMNETICS CONNECTOR CORP. | <b>OMNETICS</b><br>CONNECTOR CORPORATION<br>8840 EVERGREEN BLVD.<br>MINNEAPOLIS, MN 55433<br>WWW.OMNETICS.COM | DWG NO.           | CAGE CODE <b>61873</b> |
|              | -TOLERANCES-<br>UNLESS OTHERWISE NOTED<br>DIMENSIONS IN INCHES                                  |  |   | <b>A50015-021</b> |                        |
|              | 2 PL DEC ± .01<br>3 PL DEC ± .005<br>4 PL DEC ± .0005<br>ANGLES ± 1°                            | TITLE:<br><b>(21) PIN MALE<br/>BI-LOBE CONNECTOR</b>   |   | SHEET<br>2 OF 2   | SCALE: 4:1<br>REV C    |
|              |   | DATE<br>02-25-14   |   |                   |                        |