

**MATERIALS & SPECIFICATIONS**

**HOUSING:**

ALUMINUM 6061, NICKEL PLATED (500 MICROINCHES MINIMUM) PER SAE-AMS-2404.

**INSULATOR:**

LIQUID CRYSTAL POLYMER (LCP) PER ASTM D5138

**CONTACT:**

BERYLLIUM COPPER PER ASTM B194, C17200, GOLD PLATED PER ASTM B488, (HARD GOLD) TYPE II CODE C, CLASS 1.27

**TERMINATION:**

SOLDER COATED WITH SN63A PER J-STD-006 OR PER AMS-P-81728

**HARDWARE:**

303 STAINLESS STEEL PER ASTM A582

**CURRENT RATING:**

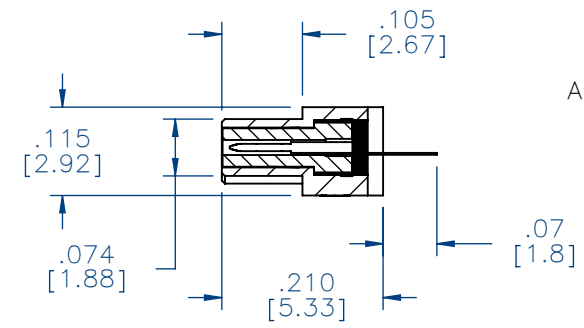
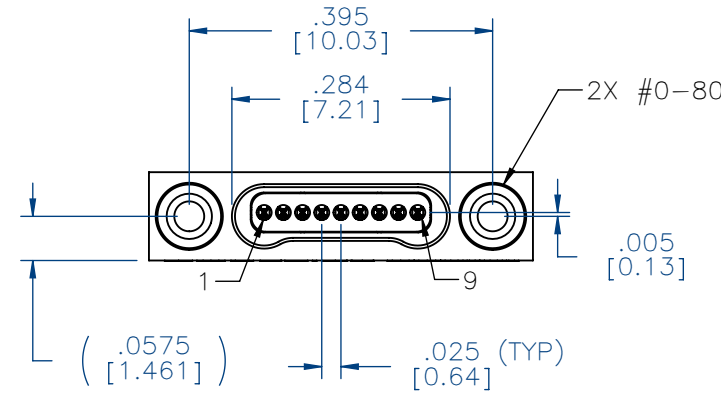
1 AMP MAX PER MIL-DTL-32139

**CONTACT RESISTANCE:**

71 MILLIOHM MAX (71mV DROP MAX) @ 1.0 AMPS PER MIL-DTL-32139

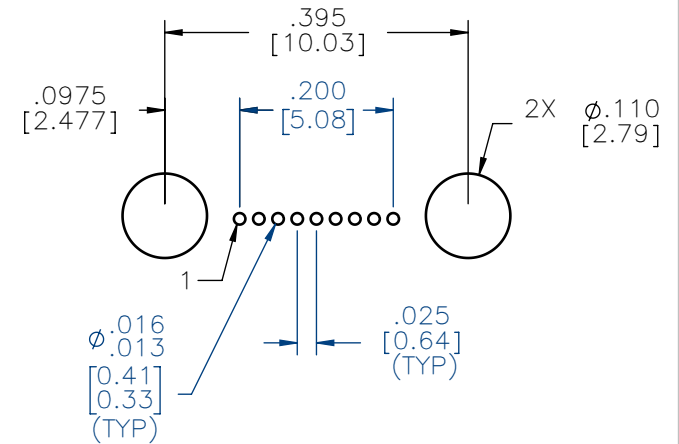
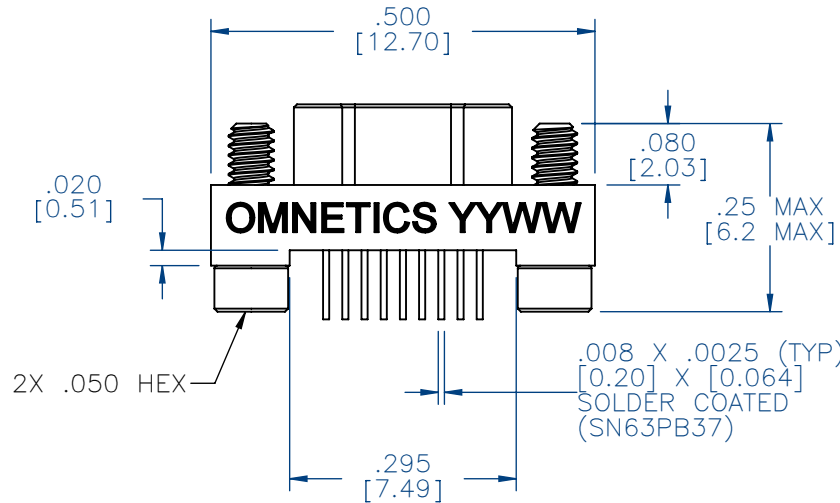
**PERFORMANCE:**

PRODUCT FAMILY TESTED TO AND PASSED THE PERFORMANCE SPECIFICATIONS OF TABLE VIII OF MIL-DTL-32139.



ACTUAL SIZE

VIEW LESS HARDWARE



SUGGESTED HOLE PATTERN

**NOTES:**

1. DIMENSIONS IN [ ] ARE IN MILLIMETERS UNLESS OTHERWISE NOTED AND ARE FOR REFERENCE ONLY

MBPS	THIRD ANGLE	THIS DRAWING CONTAINS CONFIDENTIAL AND PROPRIETARY INFORMATION WHICH IS THE PROPERTY OF OMNETICS CONNECTOR CORP. THIS DOCUMENT MAY NOT, IN WHOLE OR IN PART, BE DUPLICATED, OR DISCLOSED FOR ANY PURPOSE, WITHOUT WRITTEN PERMISSION FROM OMNETICS CONNECTOR CORP.
	-TOLERANCES- UNLESS OTHERWISE NOTED DIMENSIONS IN INCHES	
SLDW	2 PL DEC ± .01	TITLE: (9) PIN MALE BI-LOBE CONNECTOR
	3 PL DEC ± .005	DFTM. GMH
	4 PL DEC ± .0005	DATE 02-25-14
	ANGLES ± 1°	

**OMNETICS**  
CONNECTOR CORPORATION  
8840 EVERGREEN BLVD.  
MINNEAPOLIS, MN 55433  
WWW.OMNETICS.COM

DWG NO.	CAGE CODE <b>61873</b>
<b>A50015-009</b>	
SHEET 1 OF 1	SCALE: 4:1 REV C