

MATERIALS & SPECIFICATIONS

HOUSING:

ALUMINUM 6061, NICKEL PLATED
(500 MICROINCHES MINIMUM)
PER SAE-AMS-2404.

INSULATOR:

LIQUID CRYSTAL POLYMER (LCP)
PER ASTM D5138

CONTACT:

BERYLLIUM COPPER PER ASTM
B194, C17200, GOLD PLATED
PER ASTM B488, (HARD GOLD)
TYPE II CODE C, CLASS 1.27

TERMINATION:

SOLDER COATED WITH SN63A
PER J-STD-006 OR PER AMS-
P-81728

HARDWARE:

303 STAINLESS STEEL PER
ASTM A582

CURRENT RATING:

1 AMP MAX PER MIL-DTL-
32139

CONTACT RESISTANCE:

71 MILLIOHM MAX (71mV DROP
MAX) @ 1.0 AMPS PER MIL-
DTL-32139

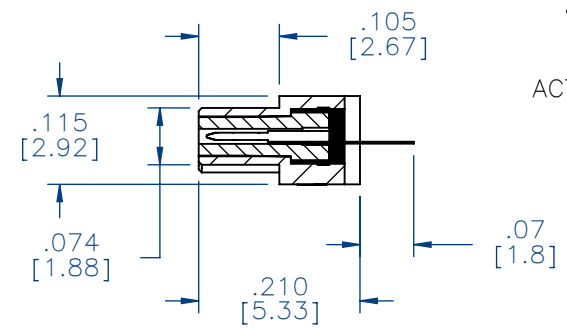
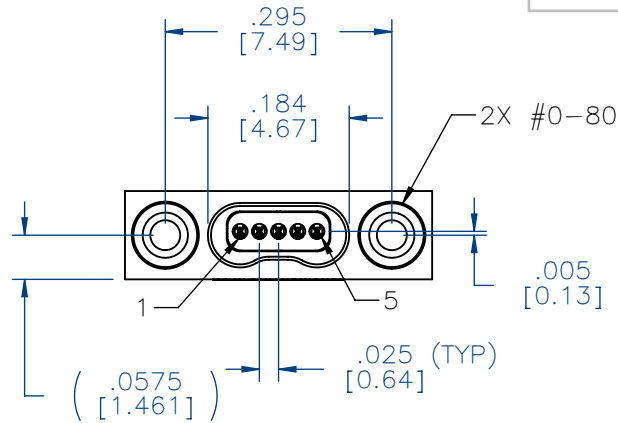
PERFORMANCE:

PRODUCT FAMILY TESTED TO
AND PASSED THE PERFORMANCE
SPECIFICATIONS OF TABLE VIII
OF MIL-DTL-32139.

NOTES:

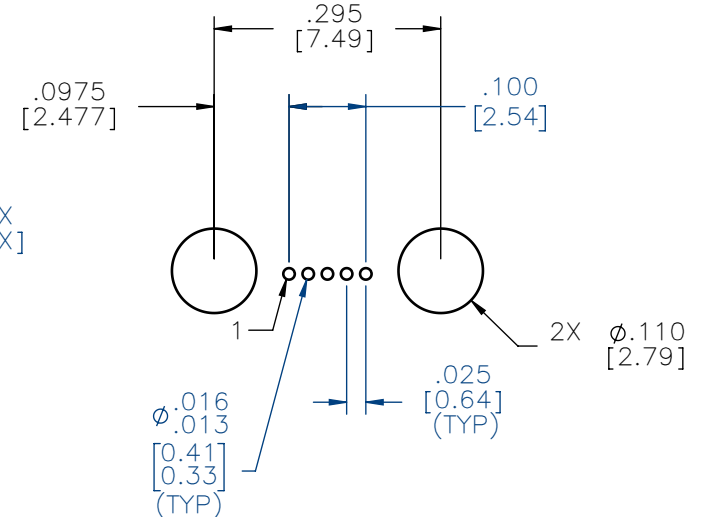
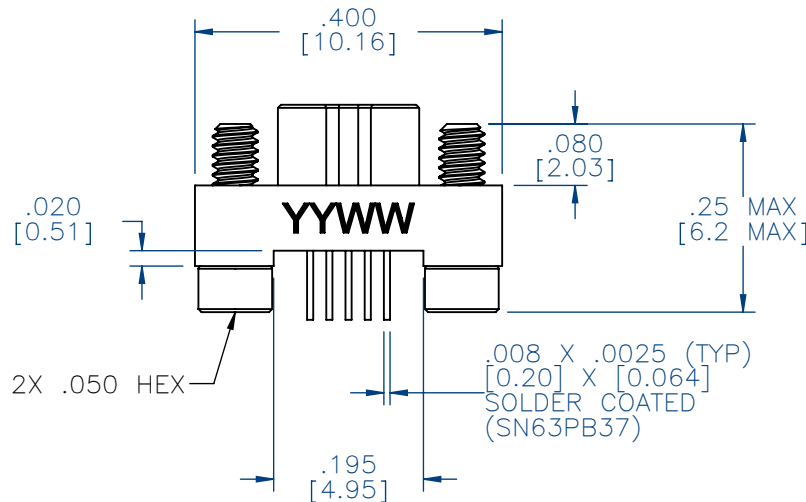
1. DIMENSIONS IN [] ARE IN
MILLIMETERS UNLESS
OTHERWISE NOTED AND ARE
FOR REFERENCE ONLY

PART NO.	A50015-005	REV	ECO	DATE	APP
		C	109945	05-10-23	BAS



ACTUAL SIZE

VIEW LESS HARDWARE



SUGGESTED HOLE PATTERN

MBS	THIRD ANGLE
	—TOLERANCES— UNLESS OTHERWISE NOTED
SLDW	DIMENSIONS IN INCHES
	2 PL DEC ± .01
	3 PL DEC ± .005
	4 PL DEC ± .0005
	ANGLES ± 1°

THIS DRAWING CONTAINS CONFIDENTIAL AND PROPRIETARY INFORMATION WHICH IS THE PROPERTY OF OMNETICS CONNECTOR CORP. THIS DOCUMENT MAY NOT, IN WHOLE OR IN PART, BE DUPLICATED, OR DISCLOSED FOR ANY PURPOSE, WITHOUT WRITTEN PERMISSION FROM OMNETICS CONNECTOR CORP.	
TITLE:	(5) PIN MALE BI-LOBE CONNECTOR
DFTM. GMH	
DATE	02-25-14

OMNETICS
CONNECTOR CORPORATION
8840 EVERGREEN BLVD.
MINNEAPOLIS, MN 55433
WWW.OMNETICS.COM

DWG NO.	CAGE CODE 61873
A50015-005	
SHEET 1 OF 1	SCALE: 4:1
	REV C