

MATERIALS & SPECIFICATIONS

HOUSING:
ALUMINUM 6061, NICKEL
PLATED (500 MICRONS
MINIMUM) PER SAE-AMS-
2404.

INSULATOR:
LIQUID CRYSTAL POLYMER
(LCP) PER ASTM D5138

CONTACT:
COPPER ALLOY PER MIL-
DTL-32139, GOLD PLATED
PER ASTM B488, (HARD
GOLD) TYPE II CODE C
CLASS 1.27

WIRE:
NEMA HP3 TYPE ET,
COLOR CODED IAW MIL-
STD-681, SYSTEM 1,
USING TEN SOLID
REPEATING COLORS

HARDWARE:
303 STAINLESS STEEL PER
ASTM A582

CURRENT RATING:
1 AMP MAX PER MIL-DTL-
32139

CONTACT RESISTANCE:
71 MILLIOHM MAX (71mV
DROP MAX) @ 1.0 AMPS
PER MIL-DTL-32139

PERFORMANCE:
PRODUCT FAMILY TESTED
TO AND PASSED THE
PERFORMANCE
SPECIFICATIONS OF TABLE
VIII OF MIL-DTL-32139.

NOTES:

DIMENSIONS APPLY TO BOTH
CONNECTORS

WIRE CONNECTOR 1 TO 1, 2
TO 2, 3 TO 3, ETC.

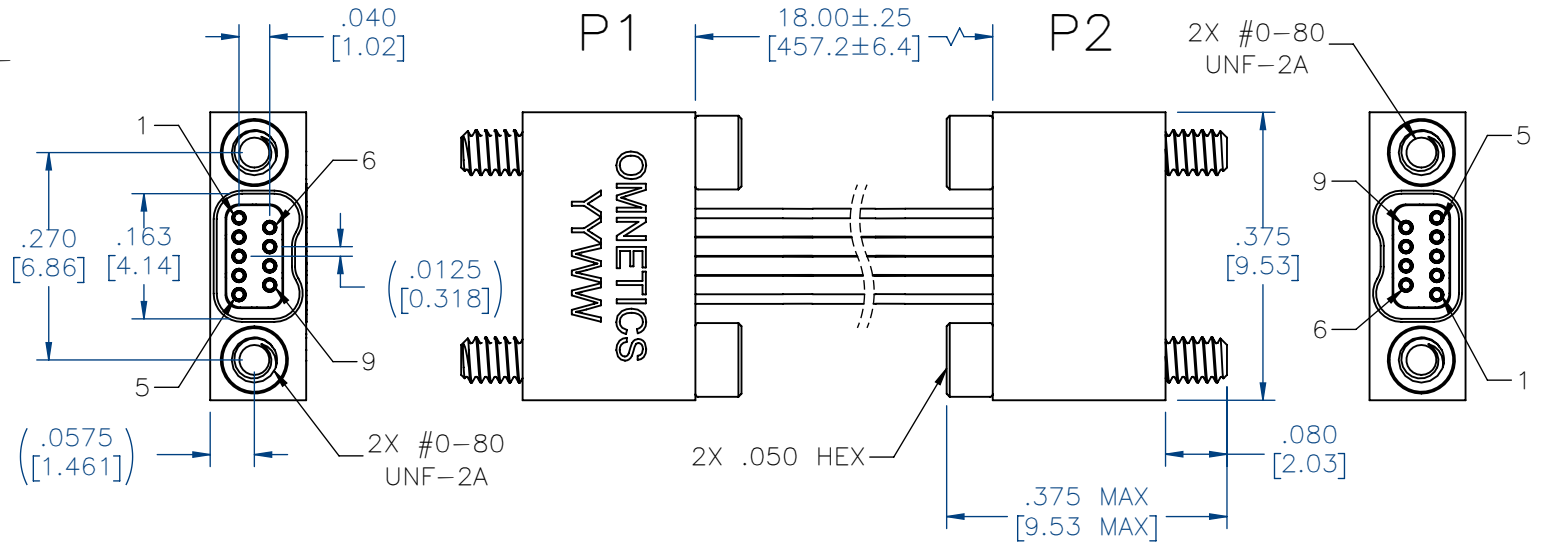
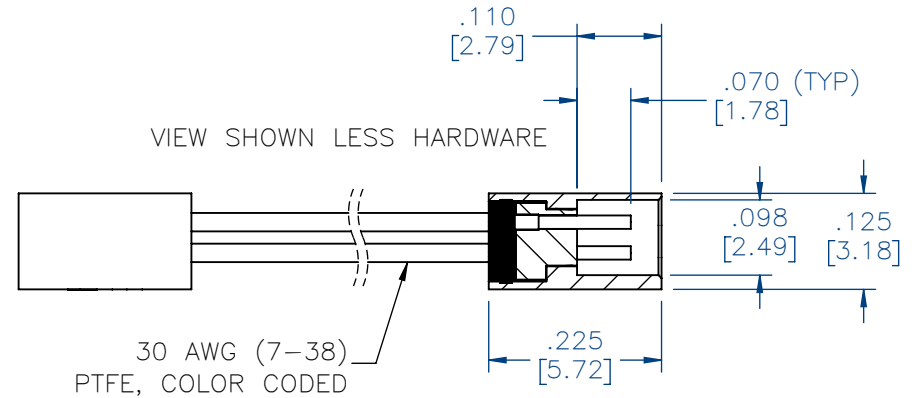
WIRES SHOWN NOT CROSSED
FOR CLARITY

DIMENSIONS IN [] ARE IN
MILLIMETERS UNLESS
OTHERWISE NOTED AND ARE
FOR REFERENCE ONLY

SOCKET #	COLOR
1	BLACK
2	BROWN
3	RED
4	ORANGE
5	YELLOW
6	GREEN
7	BLUE
8	VIOLET
9	GRAY

INTERNAL USE ONLY
USE MFG LOADING
PROCEDURE A29000-109
(BOTH CONNECTORS)

PART NO.	A42634-109	REV	ECO	DATE	APP
		B	104999	11-06-18	HV



REF: OMNETICS

THIRD ANGLE	
UNLESS OTHERWISE NOTED	
DIMENSIONS IN INCHES	
2 PL DEC ± .01	
3 PL DEC ± .005	
4 PL DEC ± .0005	
ANGLES ± 1°	

THIS DRAWING CONTAINS CONFIDENTIAL AND PROPRIETARY INFORMATION WHICH IS THE PROPERTY OF OMNETICS CONNECTOR CORP. THIS DOCUMENT MAY NOT, IN WHOLE OR IN PART, BE DUPLICATED, OR DISCLOSED FOR ANY PURPOSE, WITHOUT WRITTEN PERMISSION FROM OMNETICS CONNECTOR CORP.	
DFTM. TLM	DATE 12-22-17
CHK'D.	DATE
APP'D.	DATE

TITLE:
(9) SOCKET FEMALE
Bi-Lobe® CONNECTOR

OMNETICS
CONNECTOR CORPORATION
7260 COMMERCE CIRCLE EAST
MINNEAPOLIS, MN 55432
WWW.OMNETICS.COM

CAGE CODE 61873	
DWG NO. A42634-109	
SHEET 1 OF 1	REV B
SCALE: 4:1	