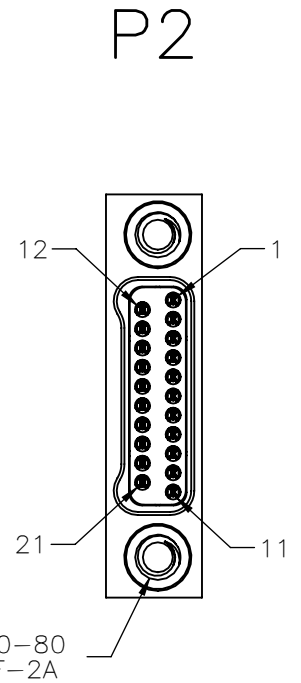
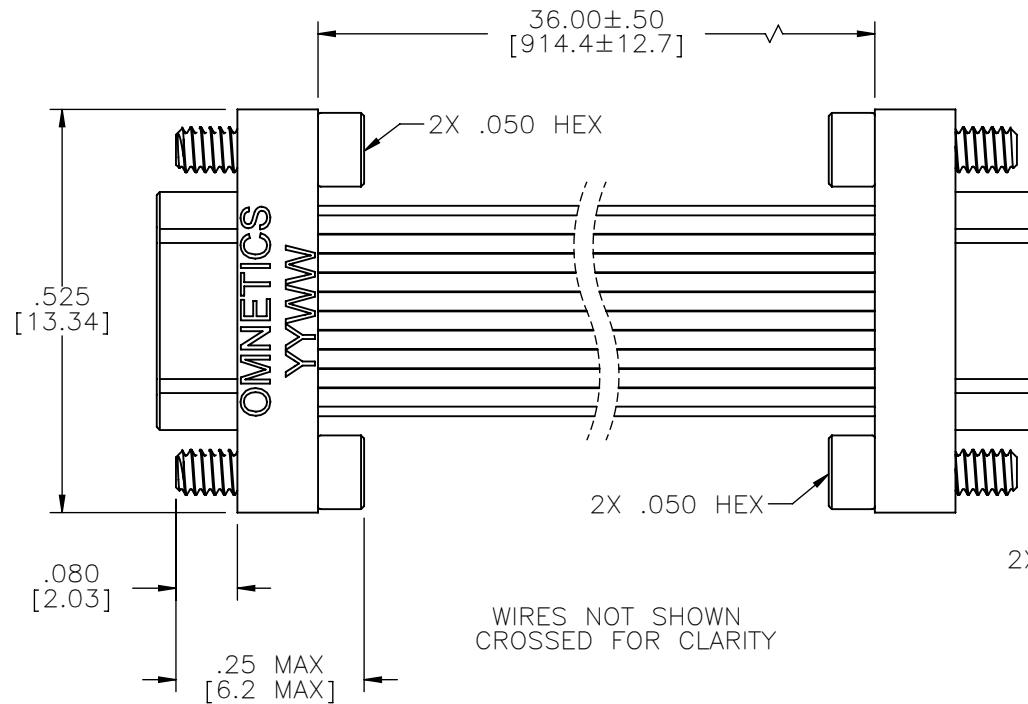
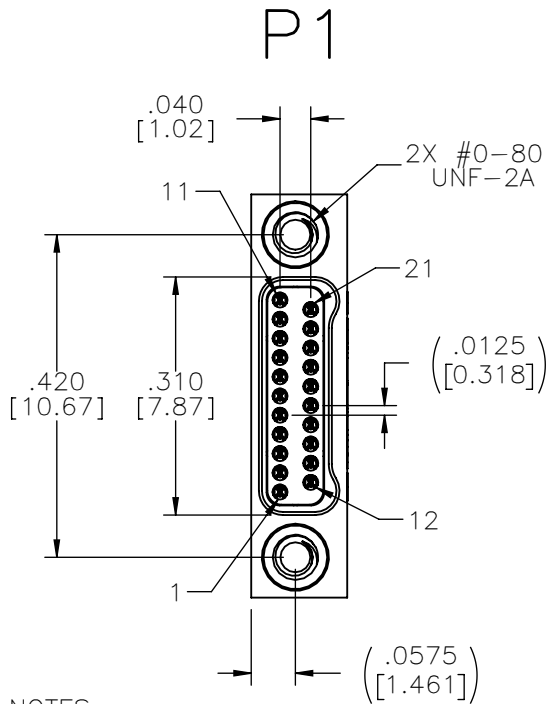
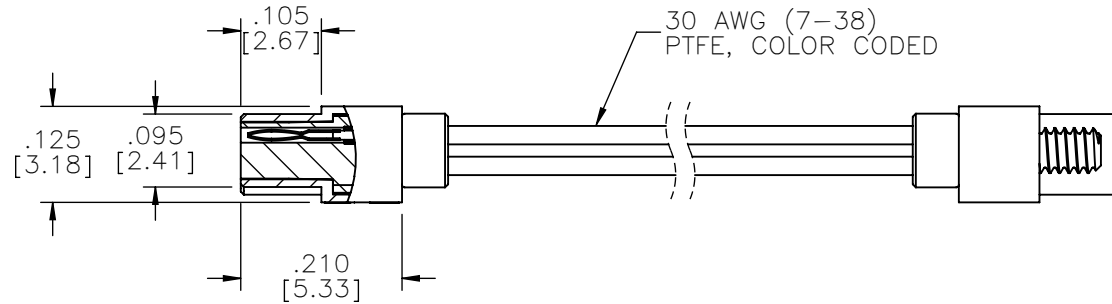


PIN #	COLOR
1, 11, 21	BLACK
2, 12	BROWN
3, 13	RED
4, 14	ORANGE
5, 15	YELLOW
6, 16	GREEN
7, 17	BLUE
8, 18	VIOLET
9, 19	GRAY
10, 20	WHITE

INTERNAL USE ONLY  
USE MFG LOADING  
PROCEDURE A28000-021  
(BOTH CONNECTORS)

PART NO.	A42632-021	REV	ECO	DATE	APP
		A	106517	06-22-2020	TLM



NOTES:

DIMENSIONS APPLY TO BOTH CONNECTORS

WIRE CONNECTORS 1 TO 1, 2 TO 2, ETC.

DIMENSIONS IN [ ] ARE IN MILLIMETERS UNLESS OTHERWISE NOTED AND ARE FOR REFERENCE ONLY

WIRES NOT SHOWN  
CROSSED FOR CLARITY

THIRD ANGLE	
UNLESS OTHERWISE NOTED	
DIMENSIONS IN INCHES	
2	PL DEC± .01
3	PL DEC± .005
4	PL DEC± .0005
ANGLES ± 1°	

THIS DRAWING CONTAINS CONFIDENTIAL AND PROPRIETARY INFORMATION WHICH IS THE PROPERTY OF OMNETICS CONNECTOR CORP. THIS DOCUMENT MAY NOT, IN WHOLE OR IN PART, BE DUPLICATED, OR DISCLOSED FOR ANY PURPOSE, WITHOUT WRITTEN PERMISSION FROM OMNETICS CONNECTOR CORP.	
DFTM. EDG	DATE 06-10-20
CHK'D.	DATE
APP'D.	DATE

TITLE:  
(21) LINE MALE  
Bi-Lobe® JUMPER  
ASSEMBLY

**OMNETICS**  
CONNECTOR CORPORATION  
7260 COMMERCE CIRCLE EAST  
MINNEAPOLIS, MN 55432  
WWW.OMNETICS.COM

CAGE CODE 61873	REV A
DWG NO. A42632-021	SCALE: 4:1
SHEET 1 OF 2	

PART NO.	A42632-021	REV	ECO	DATE	APP
		A	106517	06-22-2020	TLM

MATERIALS & SPECIFICATIONS

HOUSING:  
ALUMINUM 6061, NICKEL PLATE (500 MICROINCHES MINIMUM)  
PER SAE-AMS-2404

INSULATOR:  
LIQUID CRYSTAL POLYMER (LCP) PER ASTM D5138

CONTACT:  
BERYLLIUM COPPER PER ASTM B194, C17200, GOLD PLATED  
PER ASTM B488, (HARD GOLD) TYPE II CODE C, CLASS 1.27

WIRE:  
NEMA HP3 TYPE ET, COLOR CODED IAW MIL-STD-681,  
SYSTEM 1, USING TEN SOLID REPEATING COLORS

HARDWARE:  
303 STAINLESS STEEL PER ASTM A582

CURRENT RATING:  
1 AMP MAX PER MIL-DTL-32139

CONTACT RESISTANCE:  
71 MILLIOHM MAX (71mV DROP MAX) @ 1.0 AMPS PER MIL-  
DTL-32139

PERFORMANCE:  
PRODUCT FAMILY TESTED TO AND PASSED THE PERFORMANCE  
SPECIFICATIONS OF TABLE VIII OF  
MIL-DTL-32139

MCTS SLDW	THIRD ANGLE	THIS DRAWING CONTAINS CONFIDENTIAL AND PROPRIETARY INFORMATION WHICH IS THE PROPERTY OF OMNETICS CONNECTOR CORP. THIS DOCUMENT MAY NOT, IN WHOLE OR IN PART, BE DUPLICATED, OR DISCLOSED FOR ANY PURPOSE, WITHOUT WRITTEN PERMISSION FROM OMNETICS CONNECTOR CORP.	DATE 06-10-20	TITLE: <b>(21) LINE MALE Bi-Lobe® JUMPER ASSEMBLY</b>	 <b>OMNETICS</b> CONNECTOR CORPORATION 7260 COMMERCE CIRCLE EAST MINNEAPOLIS, MN 55432 WWW.OMNETICS.COM	CAGE CODE <b>61873</b>
	-TOLERANCES- UNLESS OTHERWISE NOTED DIMENSIONS IN INCHES 2 PL DEC ± .01 3 PL DEC ± .005 4 PL DEC ± .0005 ANGLES ± 1°					DWTM. EDG
			DATE			SHEET 2 OF 2
			DATE			REV A
						SCALE: 4:1