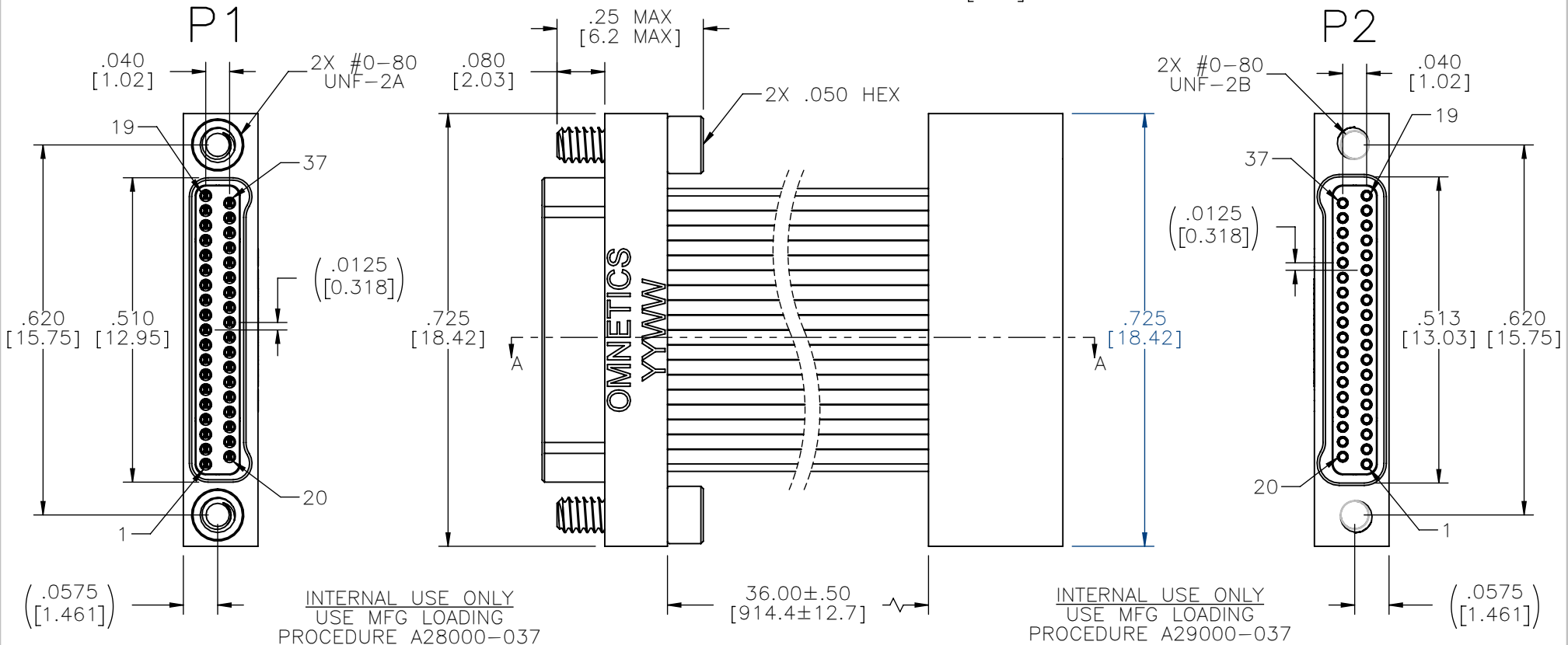
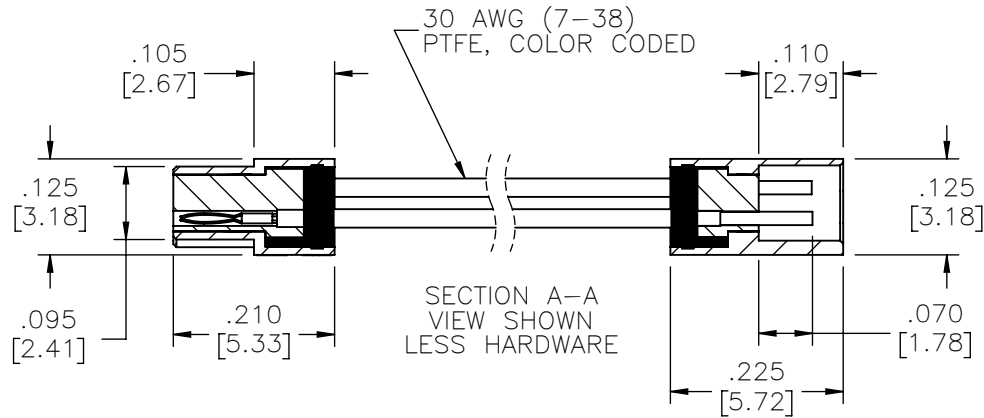


POSITION #	COLOR
1, 11, 21, 31	BLACK
2, 12, 22, 32	BROWN
3, 13, 23, 33	RED
4, 14, 24, 34	ORANGE
5, 15, 25, 35	YELLOW
6, 16, 26, 36	GREEN
7, 17, 27, 37	BLUE
8, 18, 28	VIOLET
9, 19, 29	GRAY
10, 20, 30	WHITE

PART NO.	A42629-037	REV	ECO	DATE	APP
		A	103966	11-09-17	TLM



NOTES:

WIRE CONNECTOR 1 TO 1,  
2 TO 2, 3 TO 3, ETC.

DIMENSIONS IN [ ] ARE IN  
MILLIMETERS UNLESS  
OTHERWISE NOTED AND ARE  
FOR REFERENCE ONLY

THIRD ANGLE	
JUM	- TOLERANCES -
	UNLESS OTHERWISE NOTED
	DIMENSIONS IN INCHES
MCTS	2 PL DEC ± .01
	3 PL DEC ± .005
	4 PL DEC ± .0005
	ANGLES ± 1°

THIS DRAWING CONTAINS CONFIDENTIAL AND PROPRIETARY INFORMATION WHICH IS THE PROPERTY OF OMNETICS CONNECTOR CORP. THIS DOCUMENT MAY NOT, IN WHOLE OR IN PART, BE DUPLICATED, OR DISCLOSED FOR ANY PURPOSE, WITHOUT WRITTEN PERMISSION FROM OMNETICS CONNECTOR CORP.	
DFTM. EDG	DATE 11-02-17
CHK'D.	DATE
APP'D.	DATE
TITLE: (37) LINE MALE/FEMALE Bi-Lobe® JUMPER ASSEMBLY	

**OMNETICS**  
CONNECTOR CORPORATION  
7260 COMMERCE CIRCLE EAST  
MINNEAPOLIS, MN 55432  
WWW.OMNETICS.COM

CAGE CODE 61873	
DWG NO. A42629-037	
SHEET 1 OF 2	REV A
SCALE: 4:1	

PART NO.	A42629-037	REV	ECO	DATE	APP
		A	103966	11-09-17	TLM

MATERIALS & SPECIFICATIONS

HOUSING:  
ALUMINUM 6061, NICKEL PLATE  
(500 MICROINCHES MINIMUM) PER  
SAE-AMS-2404.

INSULATOR:  
LIQUID CRYSTAL POLYMER (LCP)  
PER ASTM D5138

PIN:  
BERYLLIUM COPPER PER ASTM  
B194, C17200, GOLD PLATED PER  
ASTM B488, (HARD GOLD) TYPE II  
CODE C, CLASS 1.27

SOCKET:  
COPPER ALLOY PER MIL-DTL-  
32139, GOLD PLATED PER ASTM  
B488, (HARD GOLD) TYPE II CODE  
C CLASS 1.27

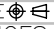

WIRE:  
NEMA HP3 TYPE ET, COLOR CODED  
IAW MIL-STD-681, SYSTEM 1,  
USING TEN SOLID REPEATING  
COLORS

HARDWARE:  
303 STAINLESS STEEL PER ASTM  
A582

CURRENT RATING:  
1 AMP MAX PER MIL-DTL-32139

CONTACT RESISTANCE:  
71 MILLIOHM MAX (71mV DROP  
MAX) @ 1.0 AMPS PER MIL-DTL-  
32139

PERFORMANCE:  
PRODUCT FAMILY TESTED TO AND  
PASSED THE PERFORMANCE  
SPECIFICATIONS OF TABLE VIII OF  
MIL-DTL-32139.

JUM	THIRD ANGLE 	THIS DRAWING CONTAINS CONFIDENTIAL AND PROPRIETARY INFORMATION WHICH IS THE PROPERTY OF OMNETICS CONNECTOR CORP. THIS DOCUMENT MAY NOT, IN WHOLE OR IN PART, BE DUPLICATED, OR DISCLOSED FOR ANY PURPOSE, WITHOUT WRITTEN PERMISSION FROM OMNETICS CONNECTOR CORP.		 <b>CONNECTOR CORPORATION</b> 7260 COMMERCE CIRCLE EAST MINNEAPOLIS, MN 55432 WWW.OMNETICS.COM	CAGE CODE <b>61873</b>	
	UNLESS OTHERWISE NOTED	DFTM. EDG	DATE 11-02-17		TITLE: <b>(37) LINE MALE/FEMALE</b> <b>Bi-Lobe® JUMPER</b> <b>ASSEMBLY</b>	DWG NO. <b>A42629-037</b>
SLD	DIMENSIONS IN INCHES	CHK'D.	DATE		SHEET 2 OF 2	
	2 PL DEC± .01 3 PL DEC± .005 4 PL DEC± .0005 ANGLES ± 1°	APP'D.	DATE		SCALE: 4:1	
					REV	A