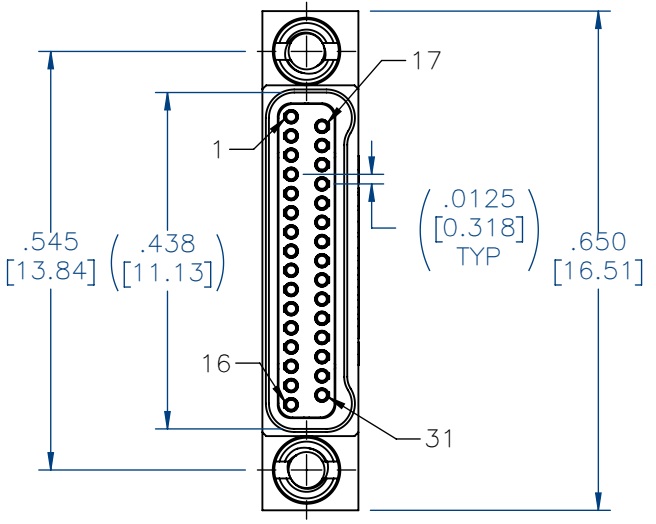
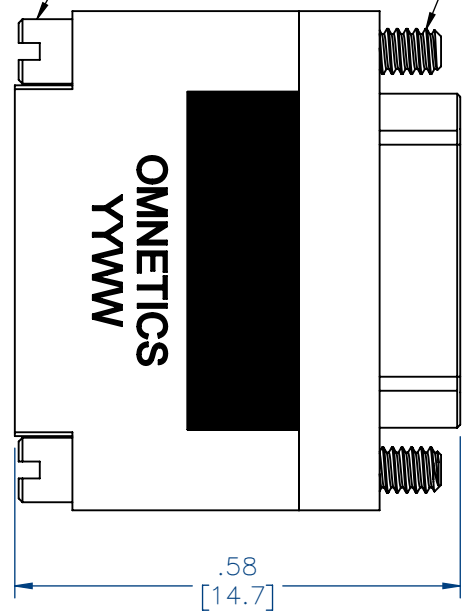


| | | | | | |
|----------|------------|-----|--------|----------|-----|
| PART NO. | A40838-031 | REV | ECO | DATE | APP |
| | | A | 103406 | 04-19-17 | TLM |

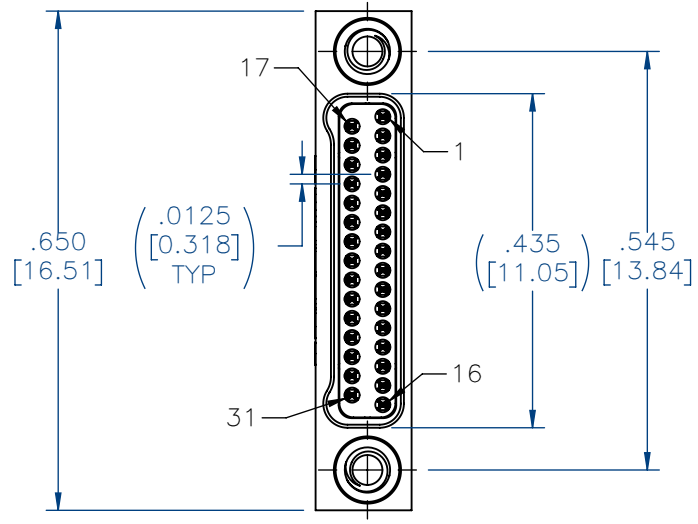
FEMALE



2X #0-80 UNF-2B
SLOTTED HEAD
2X #0-80 UNF-2A

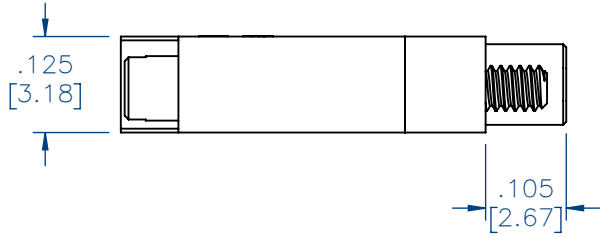


MALE

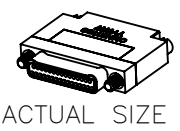


MATERIALS:

- INSULATOR:
LIQUID CRYSTAL POLYMER (LCP) PER ASTM D5138
- HOUSING:
ALUMINUM 6061-T6, NICKEL PLATE PER SAE-AMS-2404
- HARDWARE:
303 STAINLESS STEEL PER ASTM 582
- CONTACTS:
- MALE:
BERYLLIUM COPPER PER ASTM B194, C17200, GOLD PLATED PER ASTM B488, (HARD GOLD) TYPE II CODE C, CLASS 1.27
- FEMALE:
COPPER ALLOY PER MIL-DTL-32139, GOLD PLATED PER ASTM B488, (HARD GOLD) TYPE II CODE C, CLASS 1.27



NOTE:
DIMENSIONS IN [] ARE IN MILLIMETERS UNLESS OTHERWISE NOTED AND ARE FOR REFERENCE ONLY



| | |
|------|------------------------|
| CUM | THIRD ANGLE |
| | -TOLERANCES- |
| | UNLESS OTHERWISE NOTED |
| | DIMENSIONS IN INCHES |
| MCTS | 2 PL DEC ± .01 |
| | 3 PL DEC ± .005 |
| | 4 PL DEC ± .0005 |
| | ANGLES ± 1° |

| | |
|--|---------------|
| THIS DRAWING CONTAINS CONFIDENTIAL AND PROPRIETARY INFORMATION WHICH IS THE PROPERTY OF OMNETICS CONNECTOR CORP. THIS DOCUMENT MAY NOT, IN WHOLE OR IN PART, BE DUPLICATED, OR DISCLOSED FOR ANY PURPOSE, WITHOUT WRITTEN PERMISSION FROM OMNETICS CONNECTOR CORP. | |
| DFTM. ERB | DATE 03-17-17 |
| CHK'D. | DATE |
| APP'D. | DATE |
| TITLE: (31) PIN MALE/FEMALE Bi-Lobe® CONNECTOR SAVER | |

OMNETICS
CONNECTOR CORPORATION
7260 COMMERCE CIRCLE EAST
MINNEAPOLIS, MN 55432
WWW.OMNETICS.COM

| |
|--------------------|
| CAGE CODE 61873 |
| DWG NO. A40838-031 |
| SHEET 1 OF 1 |
| SCALE: 4:1 |
| REV A |