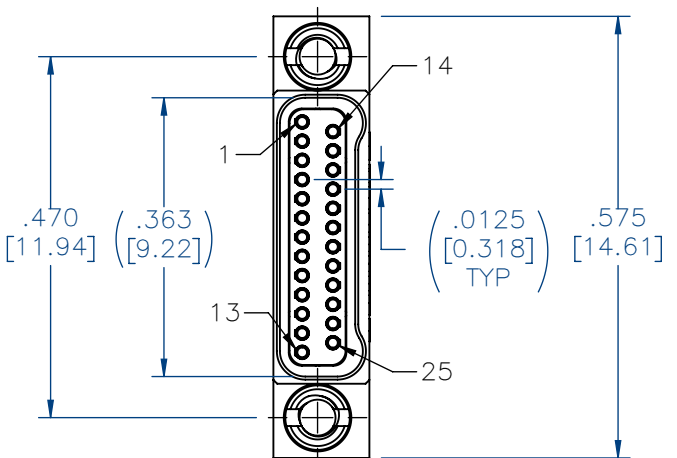
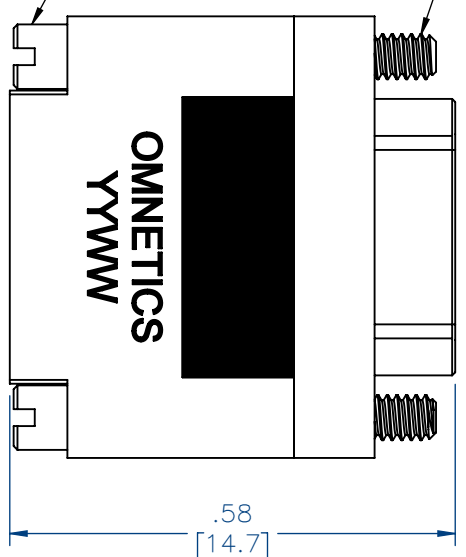


PART NO.	A40838-025	REV	ECO	DATE	APP
		A	103406	04-19-17	TLM

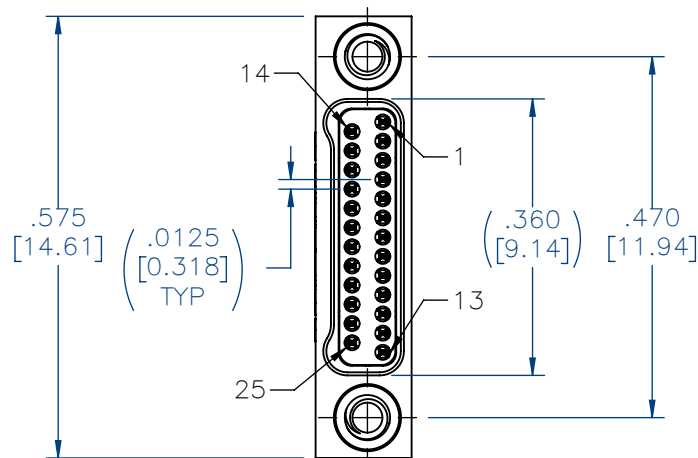
FEMALE



2X #0-80 UNF-2B SLOTTED HEAD
2X #0-80 UNF-2A

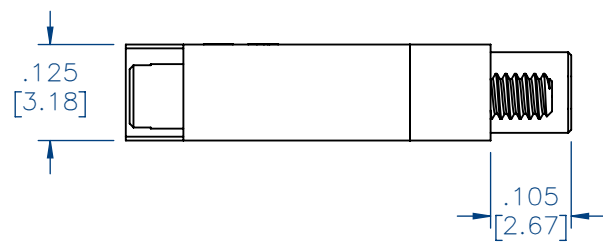


MALE

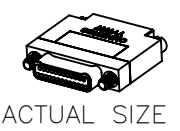


MATERIALS:

- INSULATOR:**
LIQUID CRYSTAL POLYMER (LCP) PER ASTM D5138
- HOUSING:**
ALUMINUM 6061-T6, NICKEL PLATE PER SAE-AMS-2404
- HARDWARE:**
303 STAINLESS STEEL PER ASTM 582
- CONTACTS:**
- MALE:**
BERYLLIUM COPPER PER ASTM B194, C17200, GOLD PLATED PER ASTM B488, (HARD GOLD) TYPE II CODE C, CLASS 1.27
- FEMALE:**
COPPER ALLOY PER MIL-DTL-32139, GOLD PLATED PER ASTM B488, (HARD GOLD) TYPE II CODE C, CLASS 1.27



NOTE:
DIMENSIONS IN [] ARE IN MILLIMETERS UNLESS OTHERWISE NOTED AND ARE FOR REFERENCE ONLY



MUM	THIRD ANGLE
	-TOLERANCES-
	UNLESS OTHERWISE NOTED
	DIMENSIONS IN INCHES
MCTS	2 PL DEC ± .01
	3 PL DEC ± .005
	4 PL DEC ± .0005
	ANGLES ± 1°

THIS DRAWING CONTAINS CONFIDENTIAL AND PROPRIETARY INFORMATION WHICH IS THE PROPERTY OF OMNETICS CONNECTOR CORP. THIS DOCUMENT MAY NOT, IN WHOLE OR IN PART, BE DUPLICATED, OR DISCLOSED FOR ANY PURPOSE, WITHOUT WRITTEN PERMISSION FROM OMNETICS CONNECTOR CORP.	
DFTM. ERB	DATE 03-17-17
CHK'D.	DATE
APP'D.	DATE
TITLE: (25) PIN MALE/FEMALE Bi-Lobe® CONNECTOR SAVER	

OMNETICS
CONNECTOR CORPORATION
7260 COMMERCE CIRCLE EAST
MINNEAPOLIS, MN 55432
WWW.OMNETICS.COM

CAGE CODE 61873	
DWG NO. A40838-025	
SHEET 1 OF 1	REV A
SCALE: 4:1	