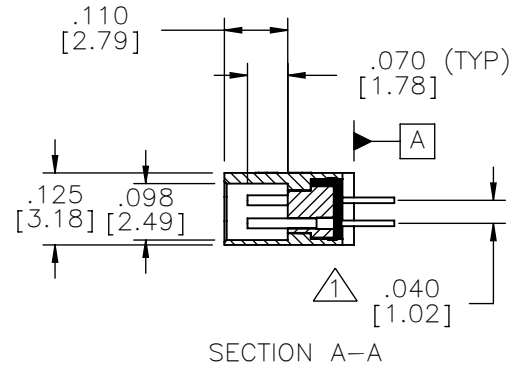
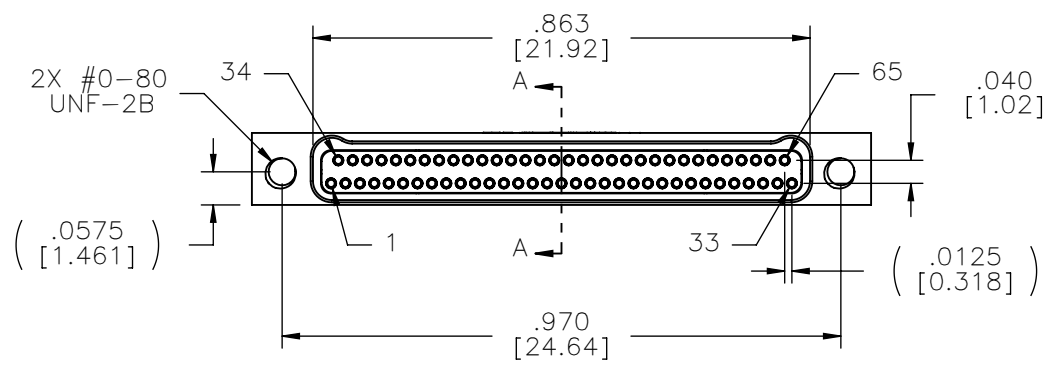
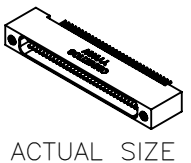
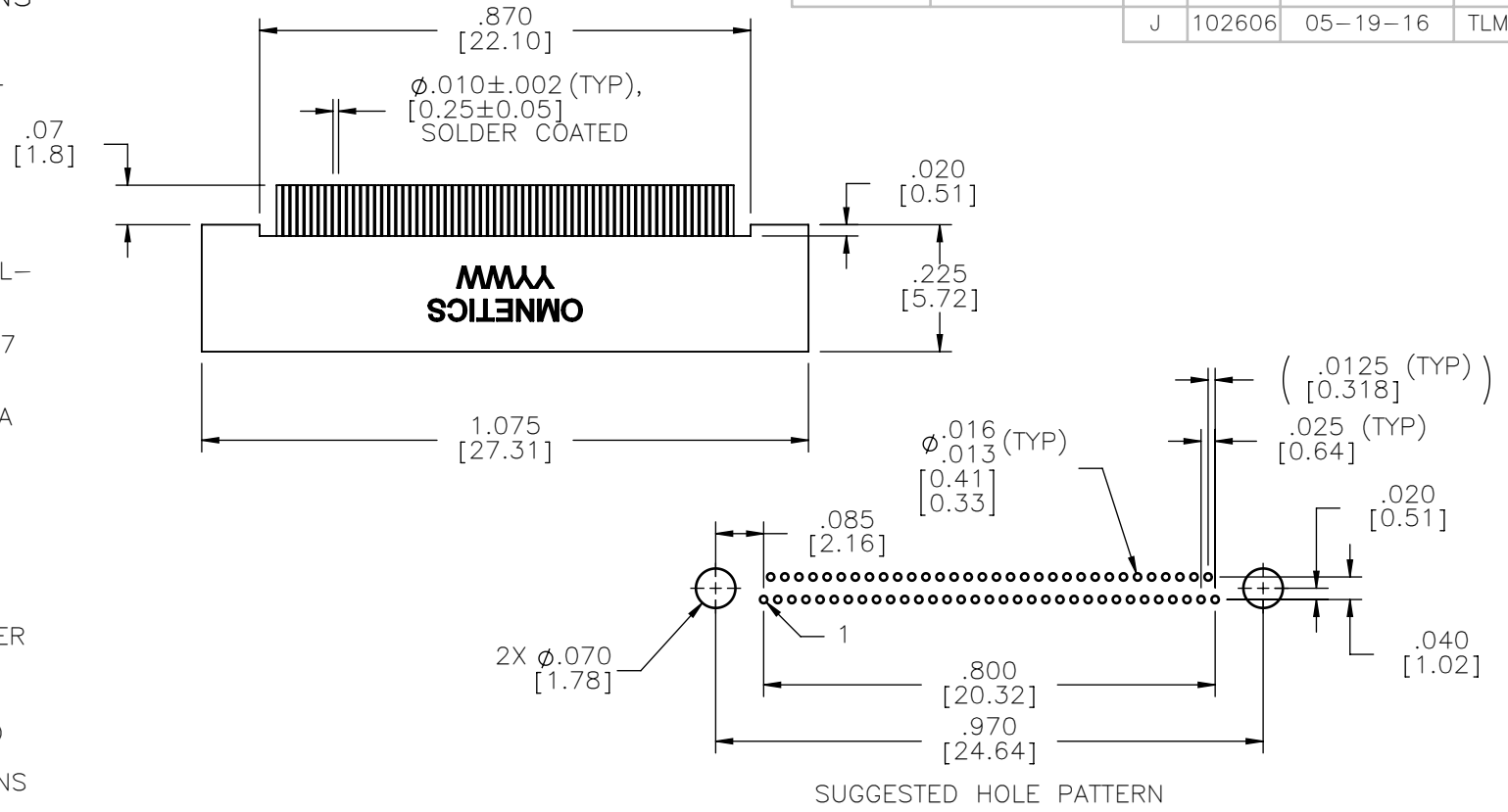


MATERIALS & SPECIFICATIONS

- HOUSING:
ALUMINUM 6061-T6, NICKEL
PLATE PER SAE-AMS-2404
- INSULATOR:
LIQUID CRYSTAL POLYMER
(LCP) PER ASTM D5138
- CONTACTS:
COPPER ALLOY PER MIL-DTL-
32139, GOLD PLATED PER
ASTM B488, (HARD GOLD)
TYPE II CODE C, CLASS 1.27
- TERMINATION:
SOLDER COATED WITH SN63A
PER J-STD-006
- CURRENT RATING:
1 AMP MAX PER MIL-DTL-
32139
- CONTACT RESISTANCE:
71 MILLIOHM MAX (71mV
DROP MAX) @ 1.0 AMPS PER
MIL-DTL-32139
- PERFORMANCE:
PRODUCT FAMILY TESTED TO
AND PASSED THE
PERFORMANCE SPECIFICATIONS
OF TABLE VIII OF MIL-DTL-
32139

PART NO.	A29500-065	REV	ECO	DATE	APP
		J	102606	05-19-16	TLM



NOTES:
⚠ TAIL DIMENSIONS APPLY
AT PLANE [A]

DIMENSIONS IN [] ARE IN
MILLIMETERS UNLESS
OTHERWISE NOTED AND ARE
FOR REFERENCE ONLY

MNSW	THIRD ANGLE
	-TOLERANCES-
MLTW	UNLESS OTHERWISE NOTED
	DIMENSIONS IN INCHES
	2 PL DEC ± .01
	3 PL DEC ± .005
	4 PL DEC ± .0005
	ANGLES ± 1°

THIS DRAWING CONTAINS CONFIDENTIAL AND PROPRIETARY INFORMATION WHICH IS THE PROPERTY OF OMNETICS CONNECTOR CORP. THIS DOCUMENT MAY NOT, IN WHOLE OR IN PART, BE DUPLICATED, OR DISCLOSED FOR ANY PURPOSE, WITHOUT WRITTEN PERMISSION FROM OMNETICS CONNECTOR CORP.

DFTM.	AAS	DATE	05-10-04	TITLE:	(65) SOCKET FEMALE
CHK'D.		DATE			Bi-Lobe® CONNECTOR
APP'D.		DATE			

OMNETICS
CONNECTOR CORPORATION
7260 COMMERCE CIRCLE EAST
MINNEAPOLIS, MN 55432
WWW.OMNETICS.COM

CAGE CODE	61873
DWG NO.	A29500-065
SHEET 1 OF 1	REV J
SCALE:	3:1