

# MATERIALS & SPECIFICATIONS

PART NO.	A29500-015	REV	ECO	DATE	APP
		J	102606	05-19-16	TLM

**HOUSING:**  
ALUMINUM 6061-T6, NICKEL  
PLATE PER SAE-AMS-2404

**INSULATOR:**  
LIQUID CRYSTAL POLYMER  
(LCP) PER ASTM D5138

**CONTACTS:**  
COPPER ALLOY PER MIL-DTL-  
32139, GOLD PLATED PER  
ASTM B488, (HARD GOLD)  
TYPE II CODE C, CLASS 1.27

**TERMINATION:**  
SOLDER COATED WITH SN63A  
PER J-STD-006

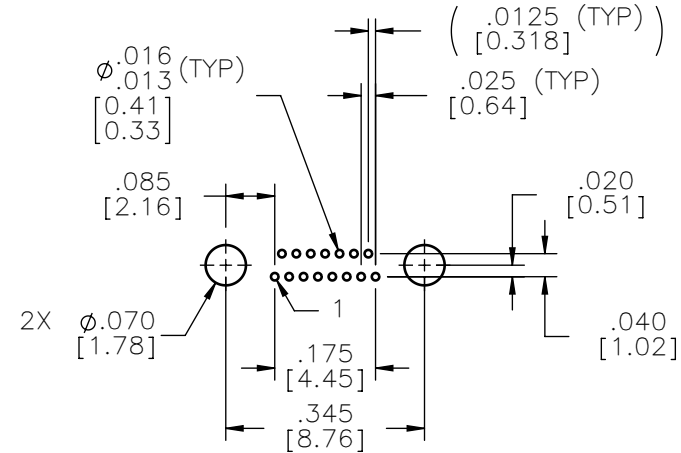
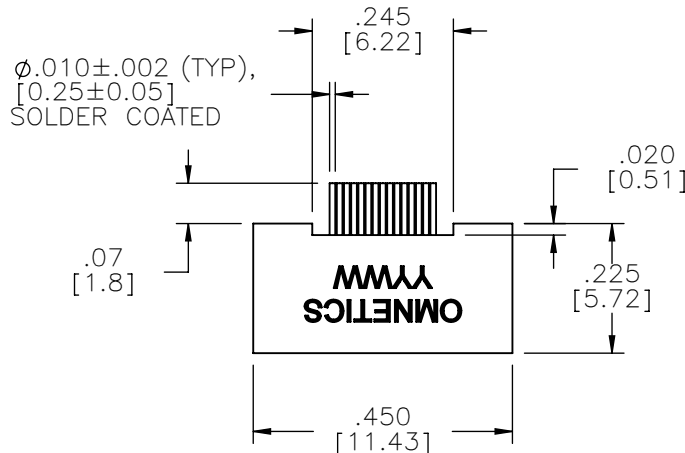
**CURRENT RATING:**  
1 AMP MAX PER MIL-DTL-  
32139

**CONTACT RESISTANCE:**  
71 MILLIOHM MAX (71mV  
DROP MAX) @ 1.0 AMPS PER  
MIL-DTL-32139

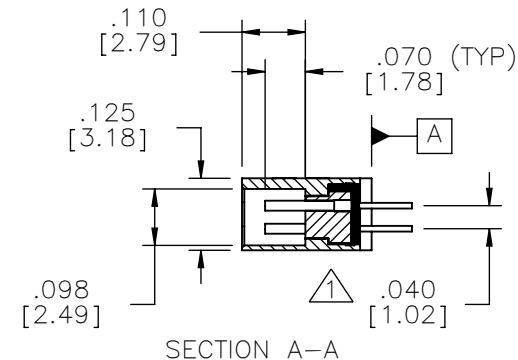
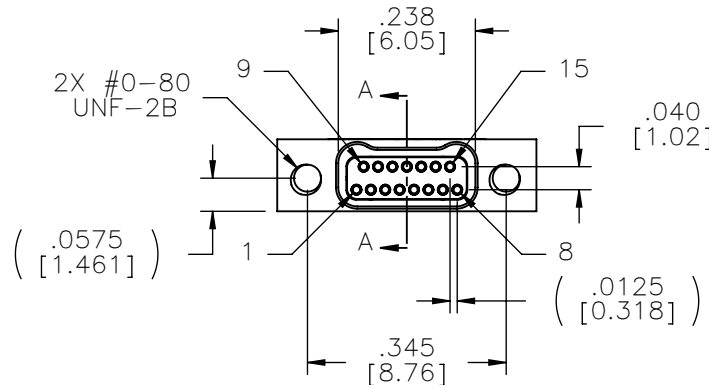
**PERFORMANCE:**  
PRODUCT FAMILY TESTED TO  
AND PASSED THE  
PERFORMANCE SPECIFICATIONS  
OF TABLE VIII OF MIL-DTL-  
32139



ACTUAL SIZE



SUGGESTED HOLE PATTERN



SECTION A-A

**NOTES:**

△ TAIL DIMENSIONS APPLY  
AT PLANE A

DIMENSIONS IN [ ] ARE IN  
MILLIMETERS UNLESS  
OTHERWISE NOTED AND ARE  
FOR REFERENCE ONLY

MNSW	THIRD ANGLE
	-TOLERANCES-
	UNLESS OTHERWISE NOTED
	DIMENSIONS IN INCHES
SLDW	2 PL DEC± .01
	3 PL DEC± .005
	4 PL DEC± .0005
	ANGLES ± 1°

THIS DRAWING CONTAINS CONFIDENTIAL AND PROPRIETARY INFORMATION WHICH IS THE PROPERTY OF OMNETICS CONNECTOR CORP. THIS DOCUMENT MAY NOT, IN WHOLE OR IN PART, BE DUPLICATED, OR DISCLOSED FOR ANY PURPOSE, WITHOUT WRITTEN PERMISSION FROM OMNETICS CONNECTOR CORP.	
DFTM. AAS	DATE 02-17-10
CHK'D.	DATE
APP'D.	DATE
TITLE: (15) SOCKET FEMALE Bi-Lobe® CONNECTOR	

**OMNETICS**  
CONNECTOR CORPORATION  
7260 COMMERCE CIRCLE EAST  
MINNEAPOLIS, MN 55432  
WWW.OMNETICS.COM

CAGE CODE 61873
DWG NO. A29500-015
SHEET 1 OF 1
SCALE: 3:1
REV J