

MATERIALS & SPECIFICATIONS

SPECIAL INSTRUCTIONS: NO

PART NO.

A29400-037

REV

ECO

DATE

APP

P

111423

02-21-25

BAS

HOUSING:

ALUMINUM 6061, NICKEL PLATE
(500 MICROINCHES MINIMUM) PER
SAE-AMS-2404

INSULATOR:

LIQUID CRYSTAL POLYMER (LCP)
PER ASTM D5138

CONTACTS:

COPPER ALLOY PER MIL-DTL-
32139, GOLD PLATED PER ASTM
B488, (HARD GOLD) TYPE II
CODE C, CLASS 1.27

TERMINATION:

SOLDER COATED WITH SN63A
PER J-STD-006

CURRENT RATING:

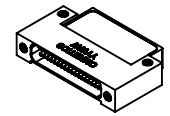
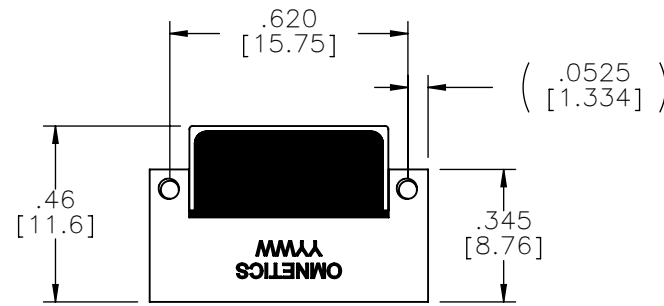
1 AMP MAX PER MIL-DTL-32139

CONTACT RESISTANCE:

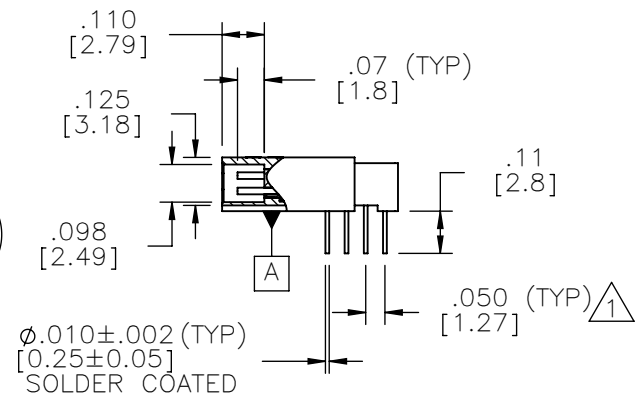
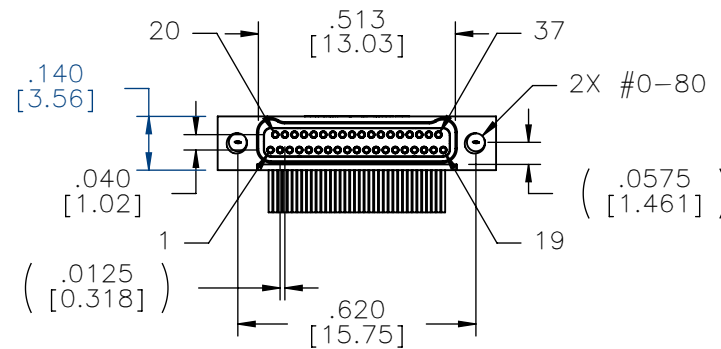
71 MILLIOHM MAX (71mV DROP
MAX) @ 1.0 AMPS PER MIL-
DTL-32139

PERFORMANCE:

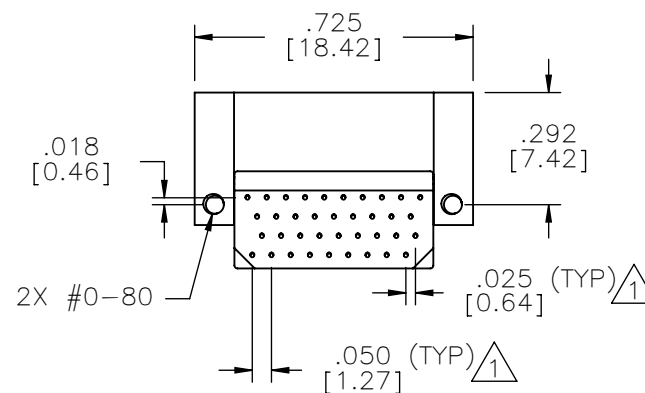
PRODUCT FAMILY TESTED TO AND
PASSED THE PERFORMANCE
SPECIFICATIONS OF TABLE VIII OF
MIL-DTL-32139



ACTUAL SIZE



∅.010±.002 (TYP)
[0.25±0.05]
SOLDER COATED



NOTES:

① TAIL DIMENSIONS APPLY AT
PLANE [A]

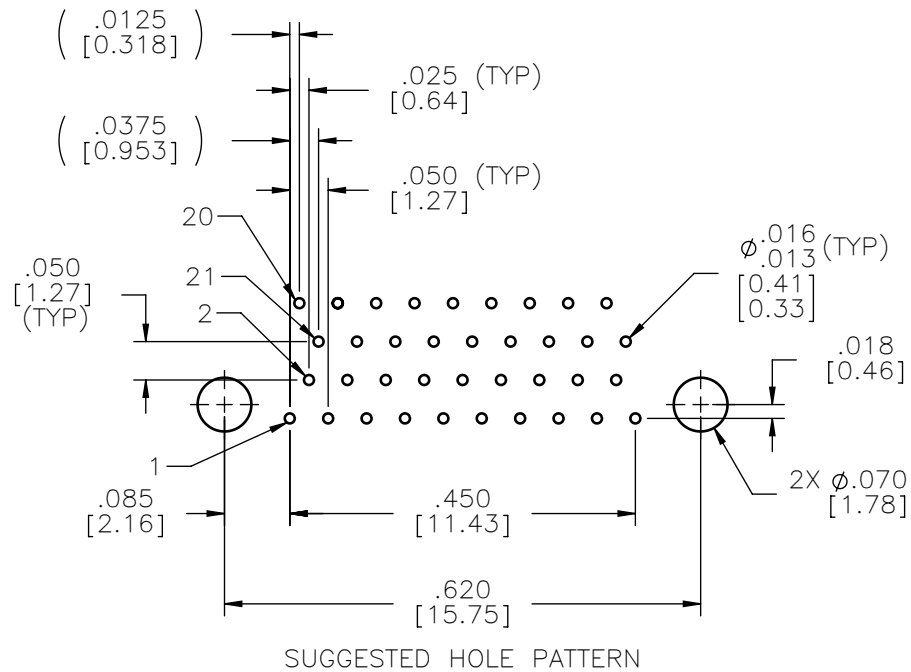
2. DIMENSIONS IN [] ARE IN
MILLIMETERS UNLESS
OTHERWISE NOTED AND ARE
FOR REFERENCE ONLY

| | | |
|-------|-------|--|
| MGT'S | OSN/W | THIRD ANGLE |
| | | —TOLERANCES— UNLESS OTHERWISE NOTED DIMENSIONS IN INCHES |
| | | 2 PL DEC ± .01 |
| | | 3 PL DEC ± .005 |
| | | 4 PL DEC ± .0005 |
| | | ANGLES ± 1° |

| | |
|--|--|
| THIS DRAWING CONTAINS CONFIDENTIAL AND PROPRIETARY INFORMATION WHICH IS THE PROPERTY OF OMNETICS CONNECTOR CORP. THIS DOCUMENT MAY NOT, IN WHOLE OR IN PART, BE DUPLICATED, OR DISCLOSED FOR ANY PURPOSE, WITHOUT WRITTEN PERMISSION FROM OMNETICS CONNECTOR CORP. | |
| TITLE: | (37) SOCKET FEMALE BI-LOBE® CONNECTOR |
| DFTM. SKP | |
| DATE | 12-29-04 |

OMNETICS
CONNECTOR CORPORATION
8840 EVERGREEN BLVD.
MINNEAPOLIS, MN 55433
WWW.OMNETICS.COM

| | |
|-------------------|------------------------|
| DWG NO. | CAGE CODE 61873 |
| A29400-037 | |
| SHEET 1 OF 2 | SCALE: 2:1 |
| REV | P |



| | |
|------|------------------------|
| MNSW | THIRD ANGLE |
| | -TOLERANCES- |
| SLDW | UNLESS OTHERWISE NOTED |
| | DIMENSIONS IN INCHES |
| | 2 PL DEC ± .01 |
| | 3 PL DEC ± .005 |
| | 4 PL DEC ± .0005 |
| | ANGLES ± 1° |

THIS DRAWING CONTAINS CONFIDENTIAL AND PROPRIETARY INFORMATION WHICH IS THE PROPERTY OF OMNETICS CONNECTOR CORP. THIS DOCUMENT MAY NOT, IN WHOLE OR IN PART, BE DUPLICATED, OR DISCLOSED FOR ANY PURPOSE, WITHOUT WRITTEN PERMISSION FROM OMNETICS CONNECTOR CORP.

TITLE: (37) SOCKET FEMALE BI-LOBE® CONNECTOR

DFTM. SKP

DATE 12-29-04

OMNETICS
CONNECTOR CORPORATION
8840 EVERGREEN BLVD.
MINNEAPOLIS, MN 55433
WWW.OMNETICS.COM

| | |
|-------------------|------------------------|
| DWG NO. | CAGE CODE 61873 |
| A29400-037 | |
| SHEET 2 OF 2 | SCALE: 4:1 |
| | REV P |