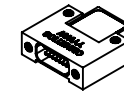
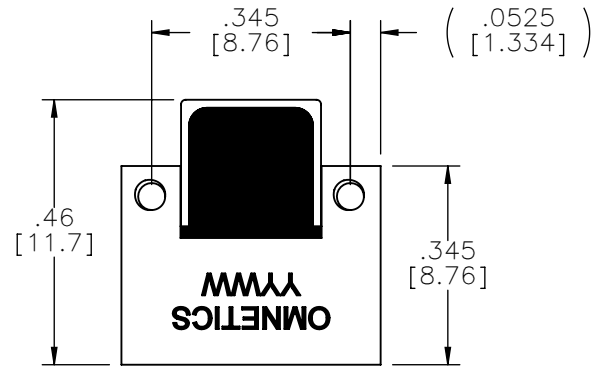
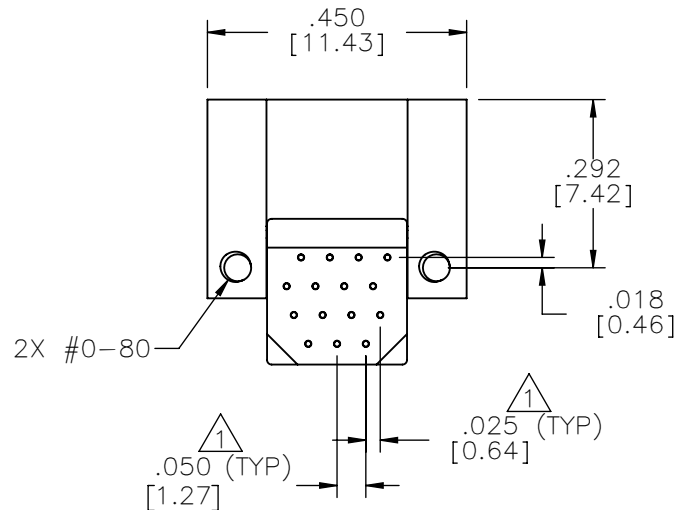
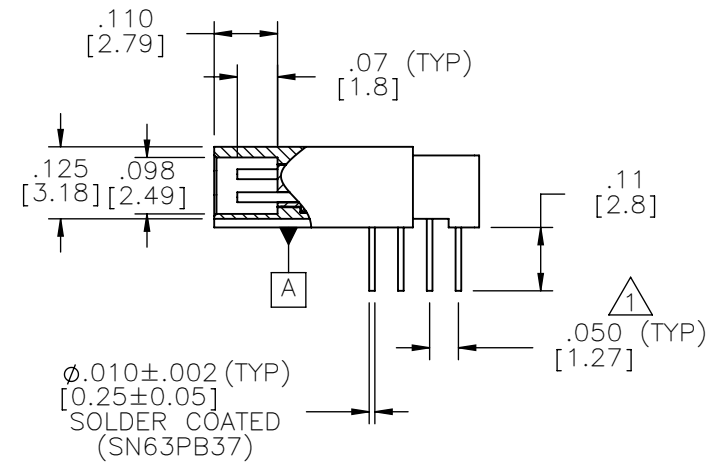
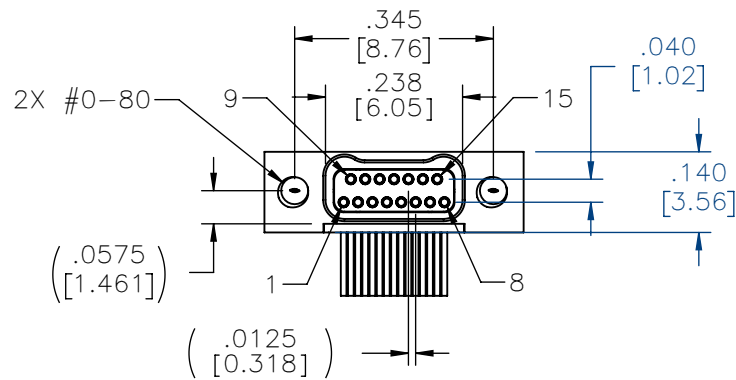


PART NO.	A29400-015	REV	ECO	DATE	APP
		P	109426	10-12-22	BAS



ACTUAL SIZE



NOTES:
 1 TAIL DIMENSIONS APPLY AT PLANE A.

2. DIMENSIONS IN [] ARE IN MILLIMETERS UNLESS OTHERWISE NOTED AND ARE FOR REFERENCE ONLY.

MNSW	THIRD ANGLE
	-TOLERANCES-
SLDW	UNLESS OTHERWISE NOTED
	DIMENSIONS IN INCHES
	2 PL DEC ± .01
	3 PL DEC ± .005
	4 PL DEC ± .0005
	ANGLES ± 1°

THIS DRAWING CONTAINS CONFIDENTIAL AND PROPRIETARY INFORMATION WHICH IS THE PROPERTY OF OMNETICS CONNECTOR CORP. THIS DOCUMENT MAY NOT, IN WHOLE OR IN PART, BE DUPLICATED, OR DISCLOSED FOR ANY PURPOSE, WITHOUT WRITTEN PERMISSION FROM OMNETICS CONNECTOR CORP.

TITLE:
 (15) SOCKET FEMALE
 Bi-Lobe® CONNECTOR
 DFTM. SKP
 DATE 12-29-04

OMNETICS
 CONNECTOR CORPORATION
 8840 EVERGREEN BLVD.
 MINNEAPOLIS, MN 55433
 WWW.OMNETICS.COM

DWG NO.	CAGE CODE	61873
A29400-015		
SHEET	SCALE:	REV P
1 OF 2	3:1	

MATERIALS & SPECIFICATIONS

PART NO.	A29400-015	REV	ECO	DATE	APP
		P	109426	10-12-22	BAS

HOUSING:
ALUMINUM 6061, NICKEL PLATE (500 MICROINCHES MINIMUM)
PER SAE-AMS-2404

INSULATOR:
LIQUID CRYSTAL POLYMER (LCP) PER ASTM D5138

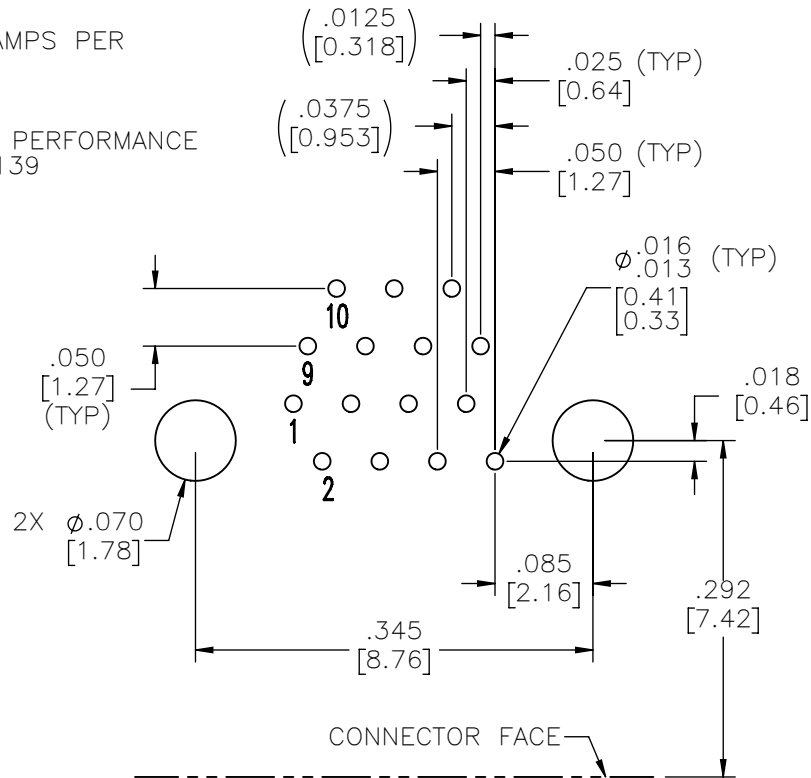
CONTACT:
COPPER ALLOY PER MIL-DTL-32139, GOLD PLATED PER
ASTM B488, (HARD GOLD) TYPE II CODE C, CLASS 1.27

TERMINATION:
SOLDER COATED WITH SN63A PER J-STD-006 OR AMS-P-
81728

CURRENT RATING:
1 AMP MAX PER MIL-DTL-32139

CONTACT RESISTANCE:
71 MILLIOHM MAX (71mV DROP MAX) @ 1.0 AMPS PER
MIL-DTL-32139

PERFORMANCE:
PRODUCT FAMILY TESTED TO AND PASSED THE PERFORMANCE
SPECIFICATIONS OF TABLE VIII OF MIL-DTL-32139



SUGGESTED HOLE PATTERN

MNSW	THIRD ANGLE
	-TOLERANCES-
SLDW	UNLESS OTHERWISE NOTED
	DIMENSIONS IN INCHES
	2 PL DEC ± .01
	3 PL DEC ± .005
	4 PL DEC ± .0005
	ANGLES ± 1°

THIS DRAWING CONTAINS CONFIDENTIAL AND PROPRIETARY INFORMATION WHICH IS THE PROPERTY OF OMNETICS CONNECTOR CORP. THIS DOCUMENT MAY NOT, IN WHOLE OR IN PART, BE DUPLICATED, OR DISCLOSED FOR ANY PURPOSE, WITHOUT WRITTEN PERMISSION FROM OMNETICS CONNECTOR CORP.	
TITLE:	(15) SOCKET FEMALE
DFTM. SKP	Bi-Lobe® CONNECTOR
DATE	12-29-04

OMNETICS
CONNECTOR CORPORATION
8840 EVERGREEN BLVD.
MINNEAPOLIS, MN 55433
WWW.OMNETICS.COM

DWG NO.	CAGE CODE 61873
A29400-015	
SHEET 2 OF 2	SCALE: 6:1
REV P	